

# ALUMINUM 5 ROW x 15'-0" - UNIVERSAL SERIES

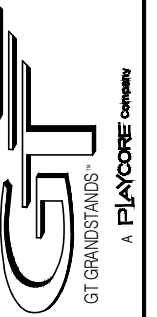
MODEL

## LU-0515ASC

OPTIONS: -RB = RUBBER BUMPERS  
-MS = MUD SILLS



2810 Sydney Road  
Plant City, Florida 33566  
Phone: 813-305-1415  
Fax: 813-305-1419  
www.gtgrandstands.com



COVER SHEET  
5 ROW BLEACHER  
6" RISE / 12" SEAT

LU-0515ASC  
OPTIONAL -MS (MUD SILL)  
OPTIONAL -RB (RUBBER BUMPER)

DRAWN BY  
MME

CHECKED BY

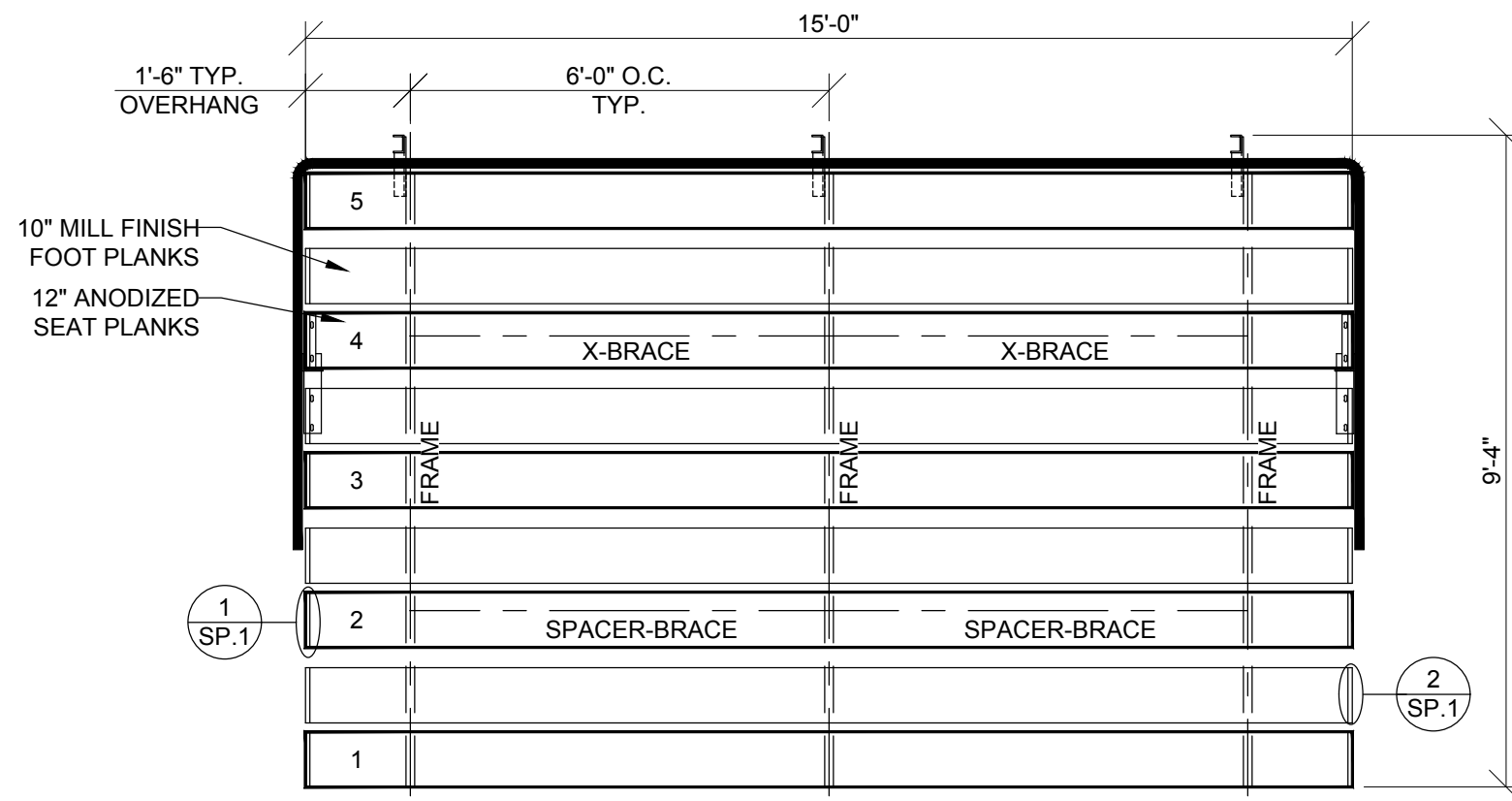
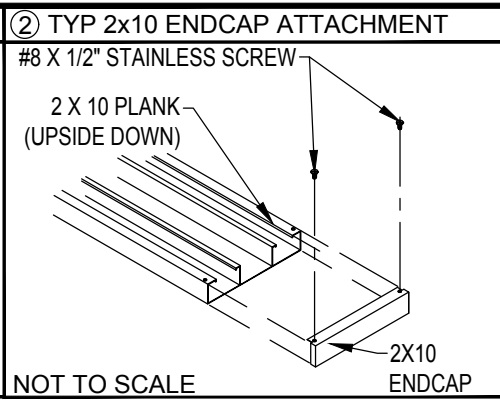
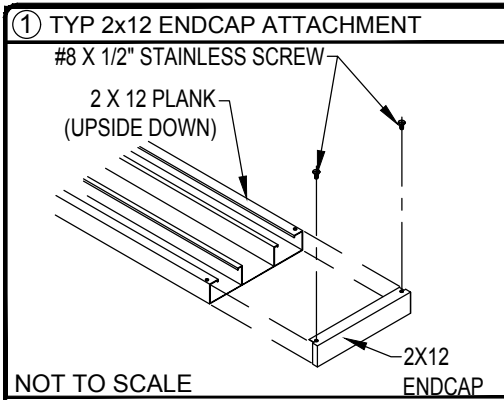
DATE  
4/24/2017

SCALE

JOB NO.

LU-0515ASC  
DWG NO.

CS.1



**SEATING PLAN**  
SCALE: 3/8" = 1' - 0"

SECTION LENGTH	GROSS SEATS	ACTUAL SEATS	NO. OF ROWS	NET SEATS
15	10.00	10.00	5	50
			<i>NET SEATS</i>	50
			<i>WHEELCHAIR SPACES</i>	0
			<b>TOTAL NET SEATING CAPACITY</b>	<b>50</b>
			(BASED ON 18" PER SEAT)	

LOCAL CODES AND SPECIFICATIONS WILL VARY FROM REGION TO REGION AND WILL ALSO CHANGE OVER TIME. IT IS THE BUYER'S RESPONSIBILITY TO CHECK LOCAL CODES FOR COMPLIANCE.



2810 Sydney Road  
Plant City, Florida 33566  
Phone: 813-305-1415  
Fax: 813-305-1419  
www.gtgrandstands.com

GT GRANDSTANDS™  
A PLAYCORE Company

SEATING PLAN  
5 ROW BLEACHER  
6" RISE / 12" SEAT

LU-0515ASC  
LU SERIES

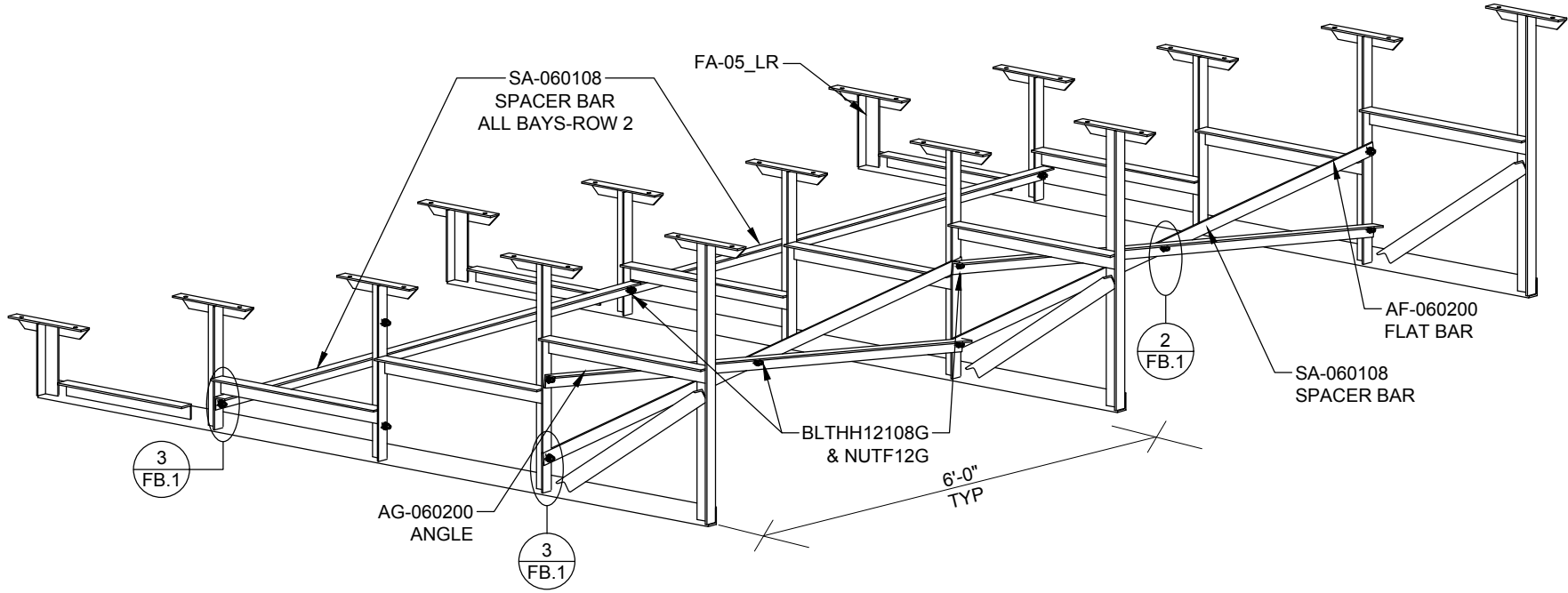
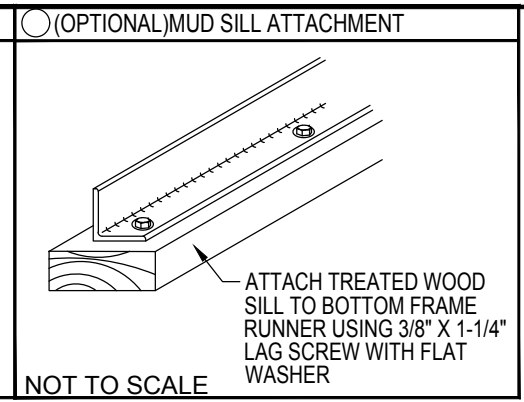
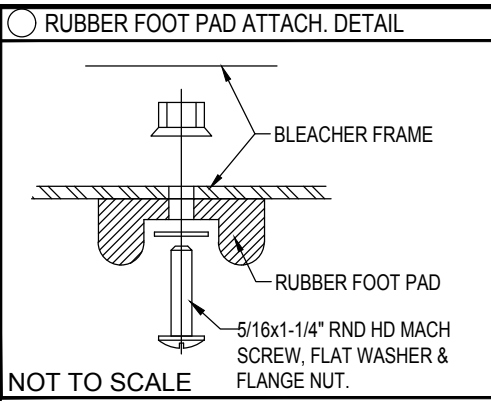
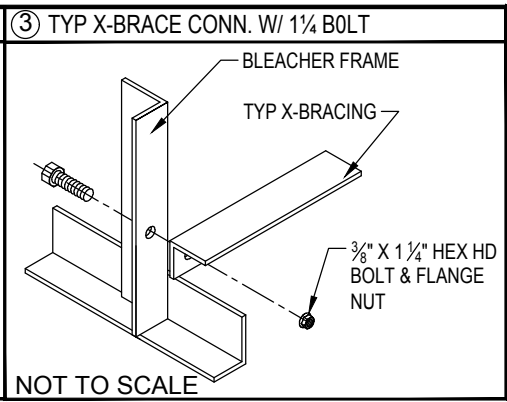
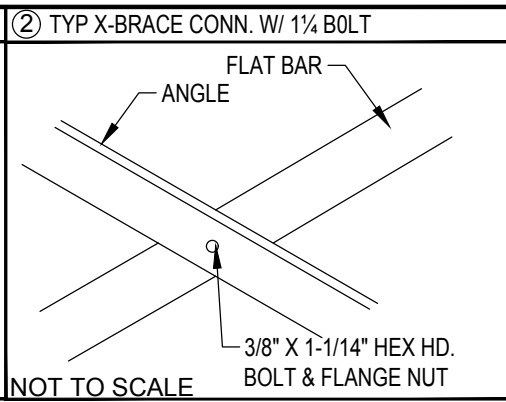
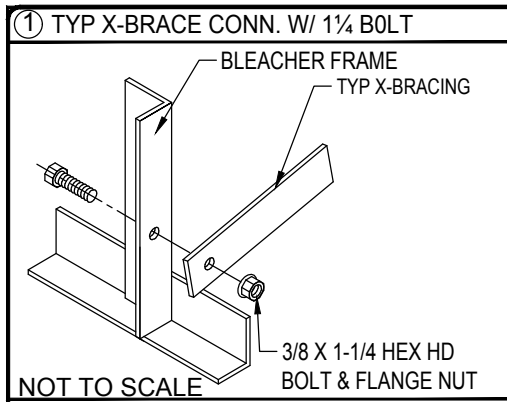
DRAWN BY  
MME  
CHECKED BY

DATE  
7/6/17

SCALE  
1/2" = 1' - 0"

JOB NO.  
LU-0515ASC  
DWG NO.

SP.1

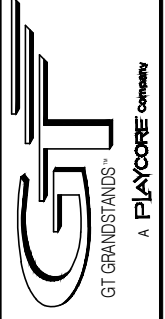


**FRAME AND BRACING**  
SCALE: NTS

PRE-ASSEMBLE X-BRACE SETS. EACH SET CONSISTS OF A ANGLE AND FLAT BAR. PLACE THE PIECES TOGETHER AT THE FLAT SIDE AND CONNECT USING A 3/8" X 1 1/4 HEX BOLT & FLANGE NUT.



2810 Sydney Road  
Plant City, Florida 33566  
Phone: 813-305-1415  
Fax: 813-305-1419  
www.gtgrandstands.com



FRAME AND BRACING  
5 ROW BLEACHER  
6" RISE / 12" SEAT

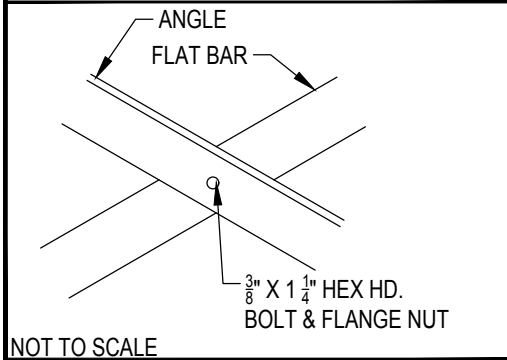
LU-0515ASC  
OPTIONAL -MS (MUD SILL)  
OPTIONAL -RB (RUBBER BUMPERS)

DRAWN BY  
MME  
CHECKED BY  
DATE  
7/6/17  
SCALE  
AS SHOWN  
JOB NO.

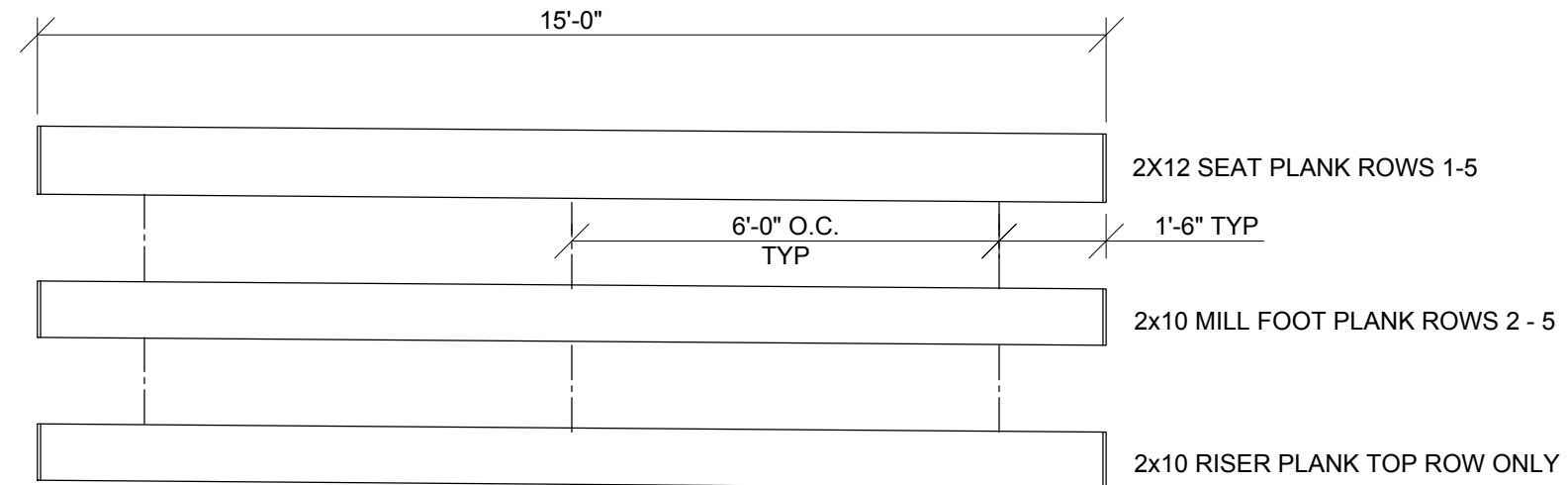
LU-0515ASC  
DWG NO.

FB.1

① TYP X-BRACE CONN. W/ 1/4" BOLT

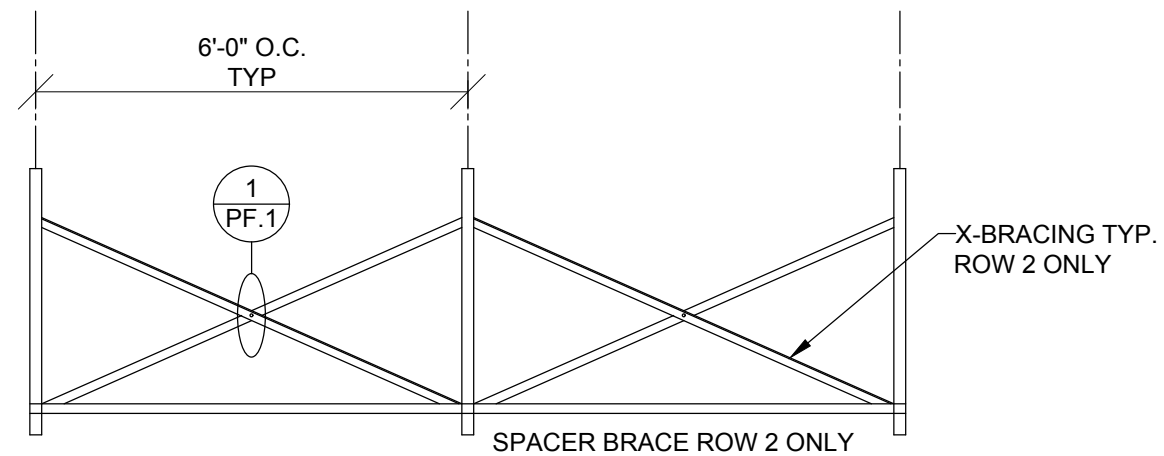


NOT TO SCALE



**PLANK PLAN**

SCALE: 3/8" = 1' - 0"

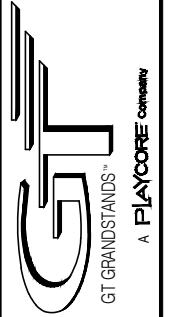


**FRAMING PLAN**

SCALE: 3/8" = 1' - 0"



2810 Sydney Road  
Plant City, Florida 33566  
Phone: 813-305-1415  
Fax: 813-305-1419  
www.gtgrandstands.com



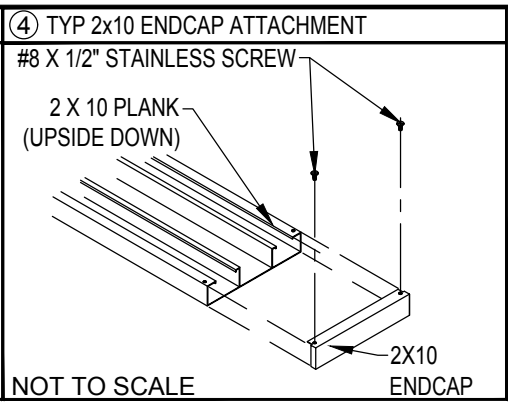
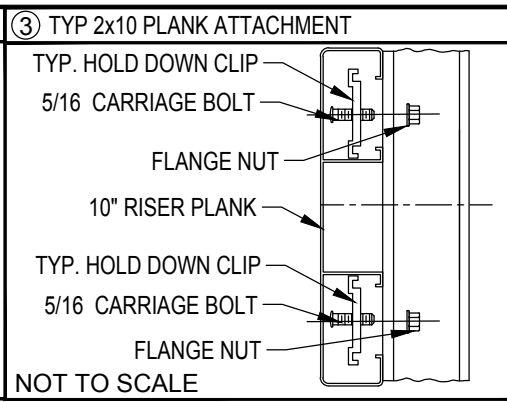
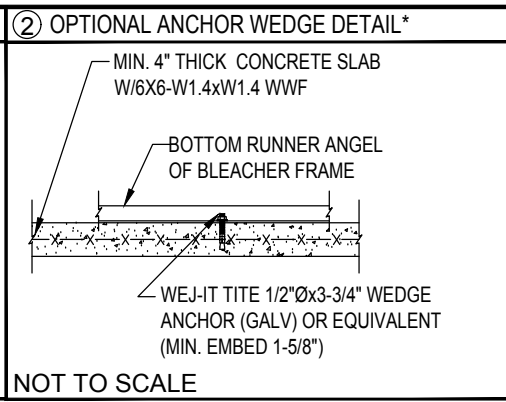
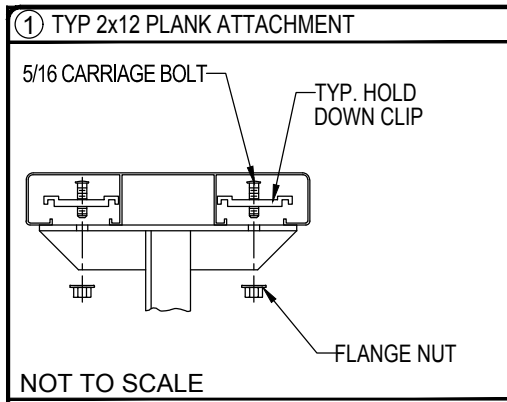
PLANK & FRAMING PLAN  
5 ROW BLEACHER  
6" RISE / 12" SEAT

LU-0515ASC  
OPTIONAL -MS (MUD SILL)  
OPTIONAL -RB (RUBBER BUMPERS)

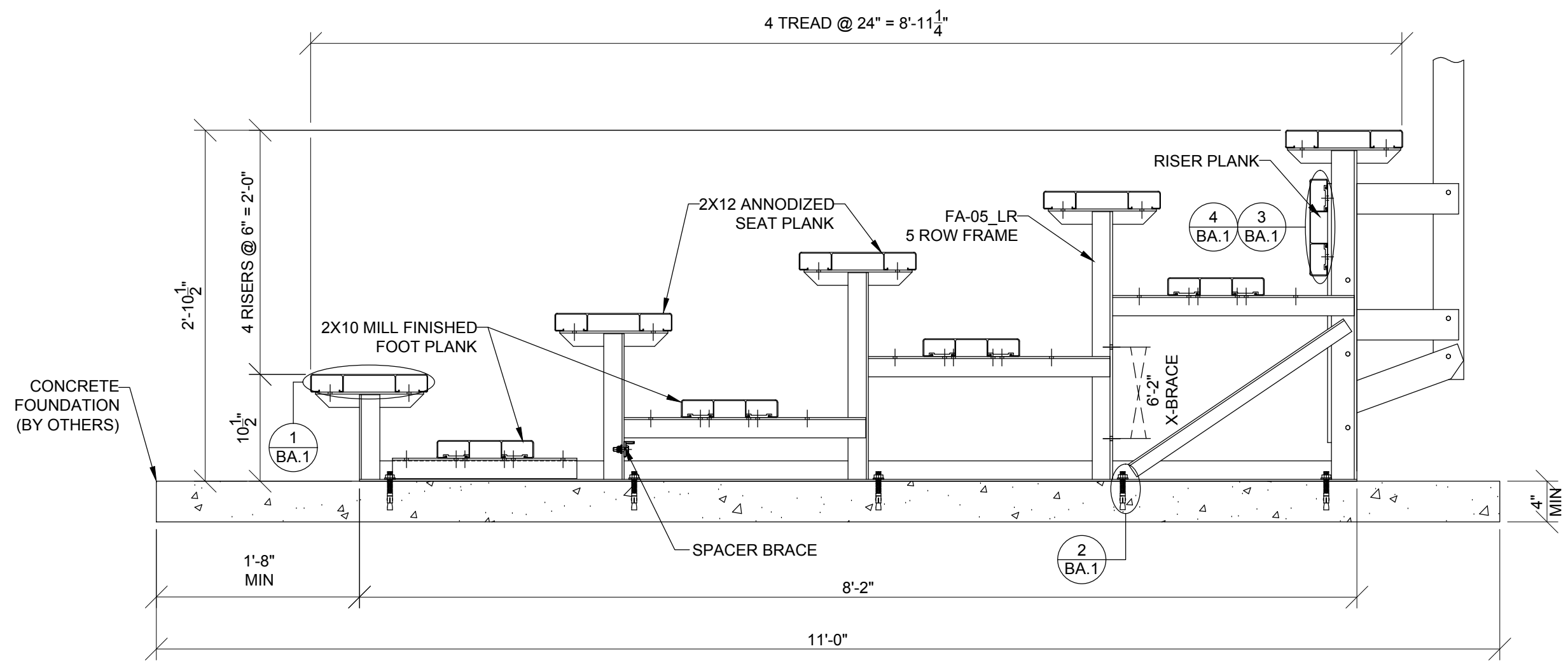
DRAWN BY  
MME  
CHECKED BY  
DATE  
7/6/17  
SCALE  
AS SHOWN  
JOB NO.

LU-0515ASC  
DWG NO.

PF.1



NOTE: LEAVE FLANGE NUT LOOSE UNTIL CLIPS HAVE BEEN SECURED TO PLANKS.

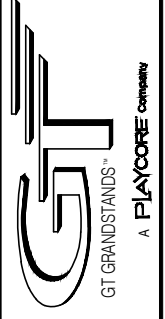


**BLEACHER ASSEMBLY**  
SCALE: 1" = 1' - 0"

\*CONCRETE WEDGE ANCHORS NOT INCLUDED WITH ALL UNITS. IF USING OTHER ANCHORING SYSTEM, SKIP THIS STEP AND REFER TO INSTRUCTIONS SPECIFIC TO THE ANCHORING SYSTEM PURCHASED FOR YOUR UNIT. SEE PRINT FP.1 (INCLUDED IN THIS PACKET) FOR GENERAL CONCRETE FOUNDATION SPECIFICATIONS.



2810 Sydney Road  
Plant City, Florida 33566  
Phone: 813-305-1415  
Fax: 813-305-1419  
www.gtgrandstands.com



BLEACHER ASSEMBLY  
5 ROW BLEACHER  
6" RISE / 12" SEAT

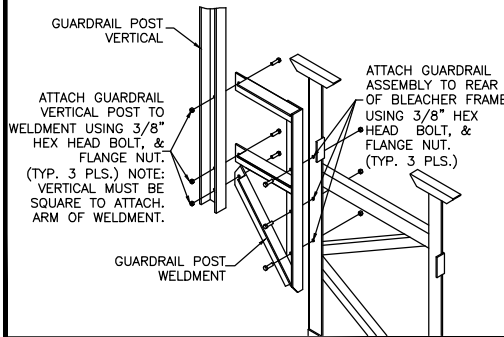
LU-0515ASC  
(OPTIONAL CONCRETE FOUNDATION)  
LU SERIES

DRAWN BY  
MME  
CHECKED BY  
DATE  
7/6/17  
SCALE  
AS SHOWN  
JOB NO.

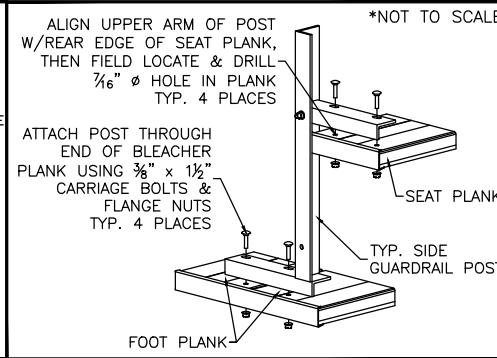
LU-0515ASC  
DWG NO.

BA.1

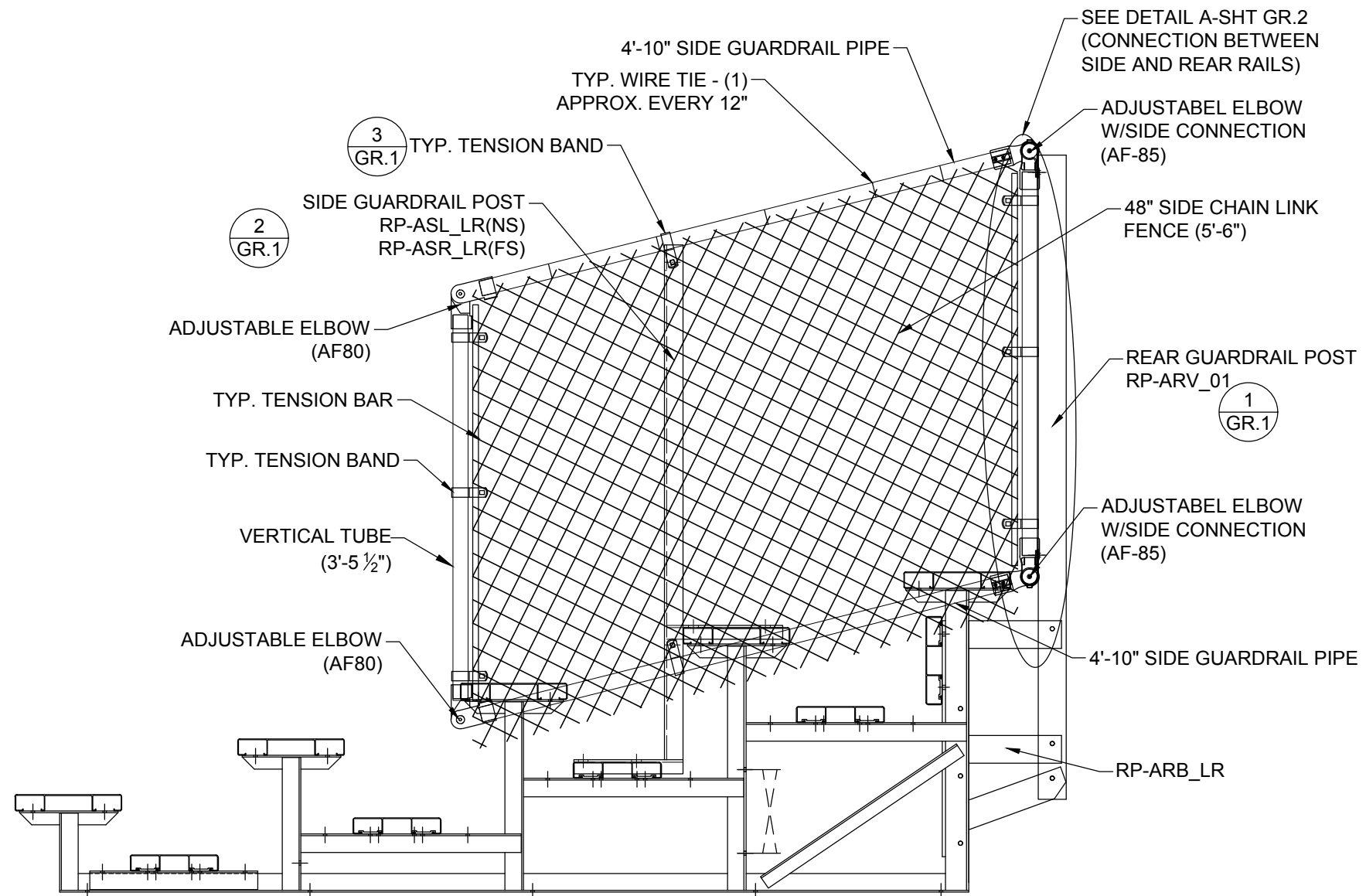
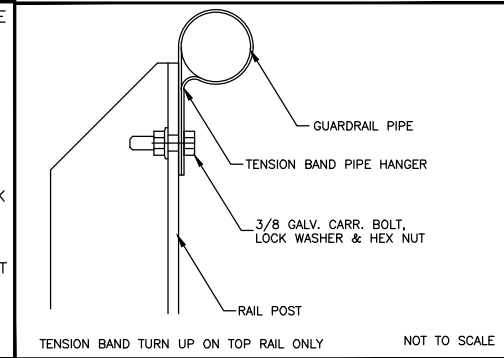
① REAR GUARDRAIL POST ATTACH.



② SIDE GD. RAIL POST INSTALLATION



③ TENSION BAND ATTACHMENT

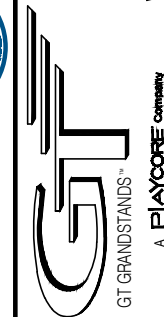


**SIDE GUARDRAIL ASSEMBLY**

SCALE: 3/4" = 1' - 0"



2810 Sydney Road  
Plant City, Florida 33566  
Phone: 813-305-1415  
Fax: 813-305-1419  
www.gtgrandstands.com



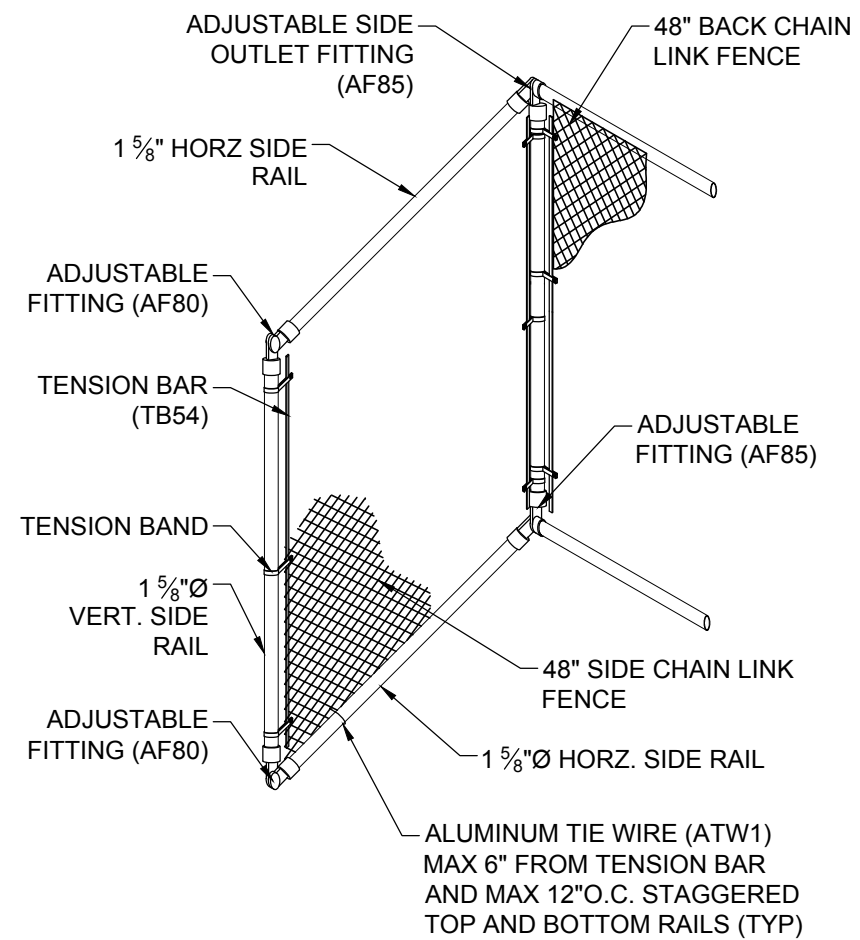
SIDE GUARDRAIL ASSEMBLY  
5 ROW BLEACHER  
6" RISE / 12" SEAT

LU-0515ASC  
GUARDRAIL ELEVATION

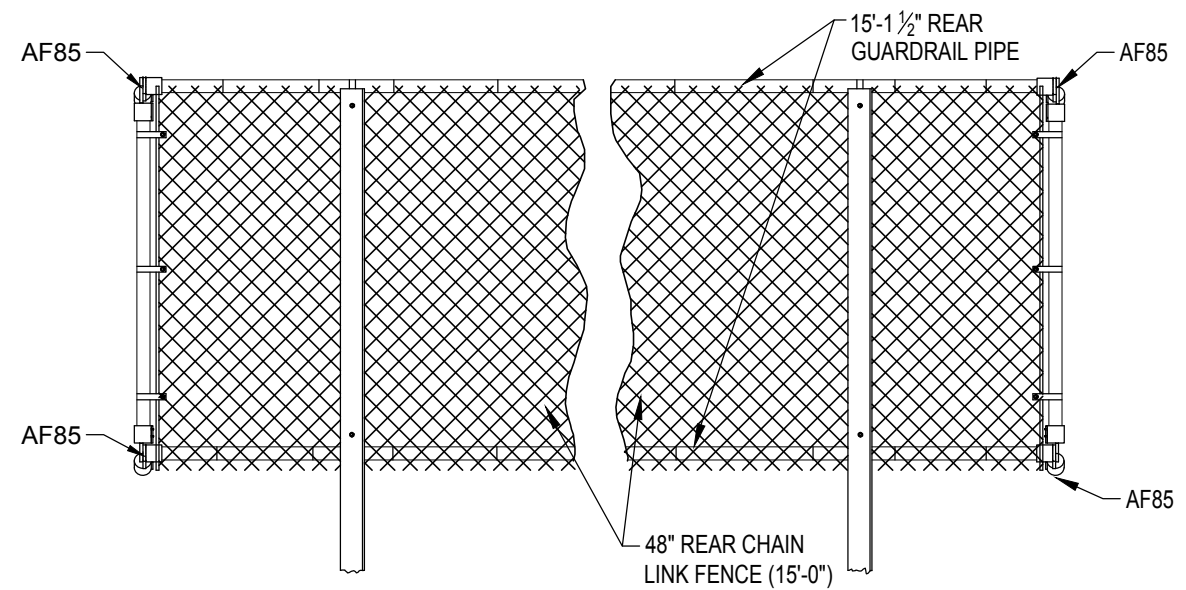
DRAWN BY  
MME  
CHECKED BY  
DATE  
7/6/17  
SCALE  
AS SHOWN  
JOB NO.

LU-0515ASC  
DWG NO.

GR.1



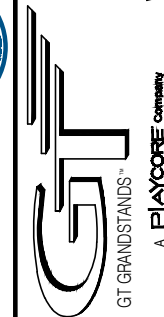
**DETAIL A**  
SCALE: 1/2" = 1' - 0"



**REAR GUARDRAIL**  
SCALE: 1/2" = 1' - 0"



2810 Sydney Road  
Plant City, Florida 33566  
Phone: 813-305-1415  
Fax: 813-305-1419  
www.gtgrandstands.com



FRAME AND BRACING  
5 ROW BLEACHER  
6" RISE / 12" SEAT

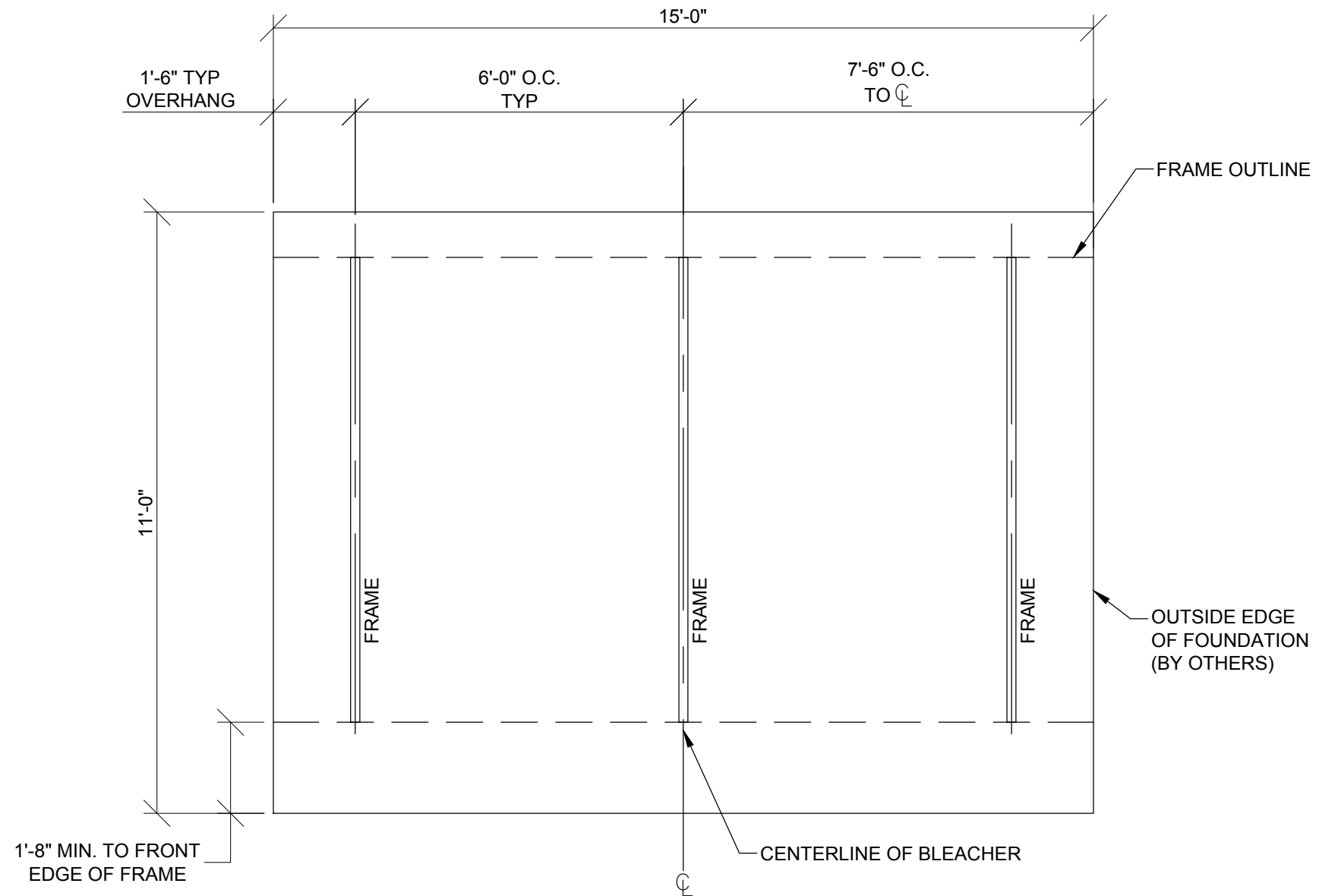
LU-0515ASC  
GUARDRAIL ATTACHMENT

DRAWN BY  
MME  
CHECKED BY  
DATE  
7/6/17  
SCALE  
AS SHOWN  
JOB NO.

LU-0515ASC  
DWG NO.

GR.2





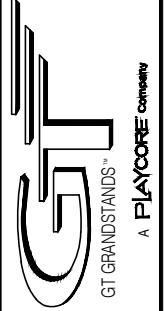
**OPTIONAL FOUNDATION PLAN\***

SCALE: 3/8" = 1' - 0"

\* MINIMUM FOUNDATION AREA SHOWN. DEPENDING ON LOCAL SOIL CONDITIONS, BLEACHER CAN BE INSTALLED ON A CONCRETE PAD OR FOOTERS, OR ATTACHED TO 2x6 TREATED LUMBER GROUND SILLS AND PLACED ON COMPACTED STONE, ASPHALT, OR ANY OTHER SMOOTH, SOLID, LEVEL SURFACE. CONSULT YOUR LOCAL CONCRETE CONTRACTOR TO DETERMINE PROPER CONCRETE SPECIFICATIONS FOR YOUR LOCAL SOIL AND WEATHER-RELATED CONDITIONS. THE BEARING SURFACE MUST BE CAPABLE OF SUPPORTING A MINIMUM OF 660 POUNDS PER LINEAR FOOT. TO MEET LOCAL CODES, BLEACHERS WILL NEED TO BE ANCHORED. ANCHORING SYSTEMS FOR ALL SURFACE TYPES ARE AVAILABLE - CONTACT YOUR BLEACHER SALES REPRESENTATIVE FOR MORE INFORMATION.



2810 Sydney Road  
Plant City, Florida 33566  
Phone: 813-305-1415  
Fax: 813-305-1419  
www.gtgrandstands.com



FOUNDATION PLAN  
5 ROW BLEACHER  
6" RISE / 12" SEAT

LU-0515ASC  
LU SERIES

DRAWN BY  
MME  
CHECKED BY  
DATE  
7/6/17  
SCALE  
3/8" = 1' - 0"  
JOB NO.

LU-0515ASC  
DWG NO.

FP.1