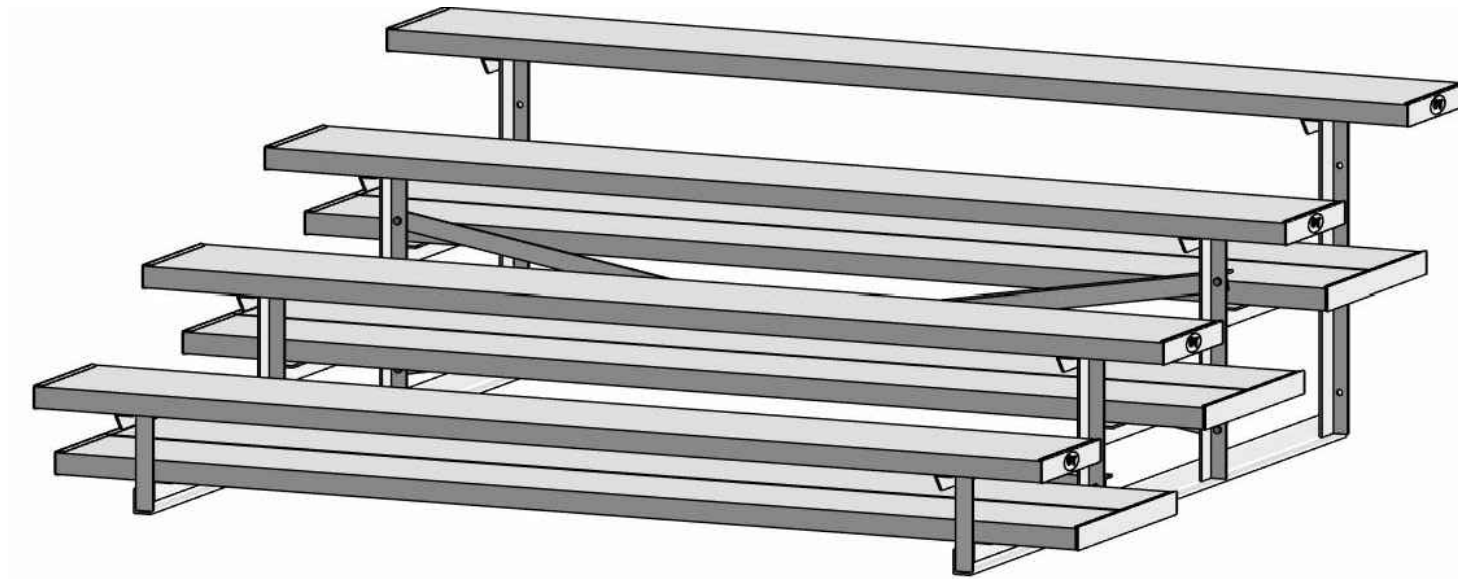


# NON ELEVATED BLEACHER

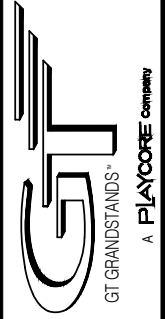


**ALUMINUM 4 ROW x 7'-6" - UNIVERSAL SERIES**

MODEL  
**LU-047.5AD**



2810 Sydney Road  
Plant City, Florida 33566  
Phone: 813-305-1415  
Fax: 813-305-1419  
www.gtgrandstands.com



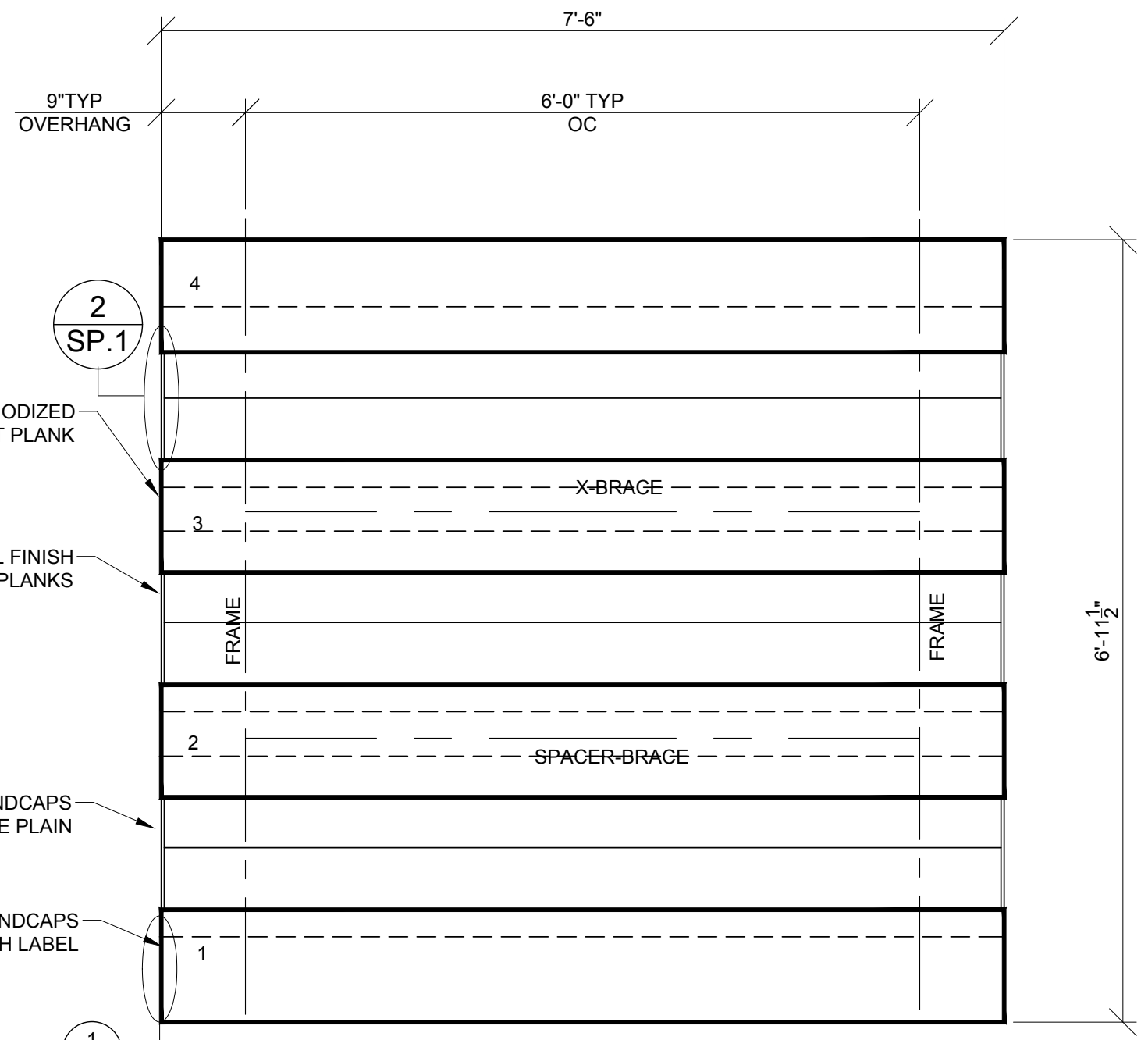
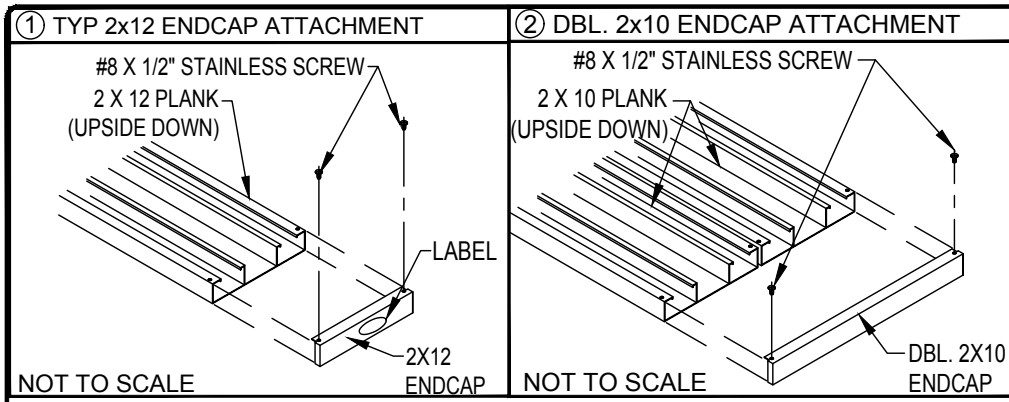
COVER SHEET  
4 ROW BLEACHER  
6" RISE / 12" SEATS

LU-047.5ASD  
OPTIONAL -MS (MUD SILL)  
OPTIONAL -RB (RUBBER BUMPERS)

DRAWN BY  
MME  
CHECKED BY  
TLC  
DATE  
11/01/2016  
SCALE  
JOB NO.

CS.1 - COVER SHEET  
SP.1 - BLEACHER SEATING PLAN  
FB.1 - FRAME AND BRACING  
BA.1 - BLEACHER ASSEMBLY  
FP.1 - FOUNDATION PLAN

LU-047.5AD  
DWG NO.  
**CS.1**



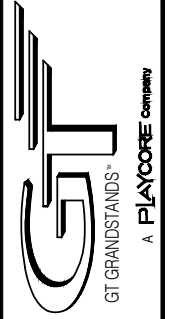
SECTION LENGTH	GROSS SEATS	ACTUAL SEATS	NO. OF SEATS	NET SEATS
7.5	5.00	5.00	4	20
				<b>NET SEATS 20</b>
				<b>WHEELCHAIR SPACES 0</b>
				<b>TOTAL NET SEATING CAPACITY 20</b>
				<b>(BASED ON 18" PER SEAT)</b>

**SEATING PLAN**  
SCALE: 3/4" = 1' - 0"

LOCAL CODES AND SPECIFICATIONS WILL VARY FROM REGION TO REGION AND WILL ALSO CHANGE OVER TIME. IT IS THE BUYER'S RESPONSIBILITY TO CHECK LOCAL CODES FOR COMPLIANCE.



2810 Sydney Road  
Plant City, Florida 33566  
Phone: 813-305-1415  
Fax: 813-305-1419  
www.gtgrandstands.com



SEATING PLAN  
4 ROW BLEACHER  
6" RISE / 12" SEAT

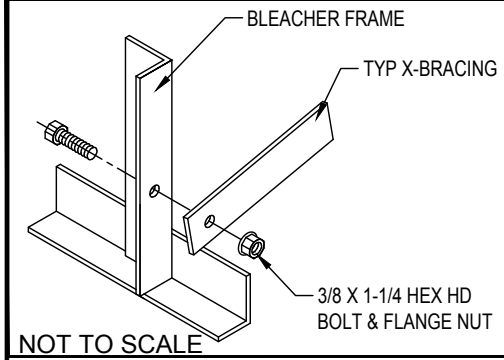
LU-047.5AD  
LU SERIES

DRAWN BY  
MME  
CHECKED BY  
TLC  
DATE  
11/01/2016  
SCALE  
3/4" = 1' - 0"  
JOB NO.

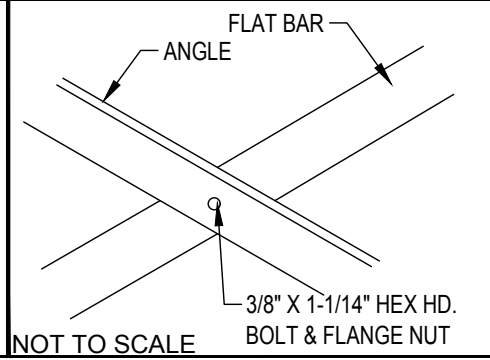
LU-047.5AD  
DWG NO.

SP.1

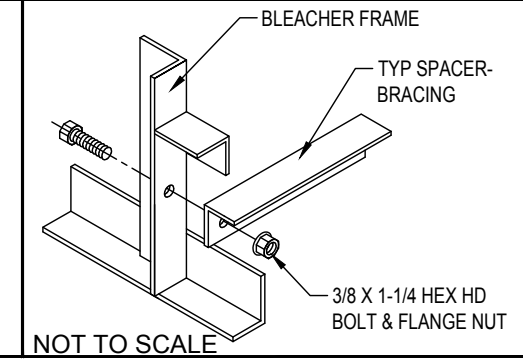
① TYP X-BRACE CONN. W/ 1 1/4" BOLT



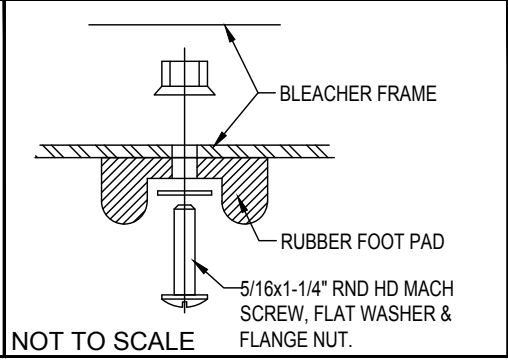
② TYP X-BRACE CONN. W/ 1 1/4" BOLT



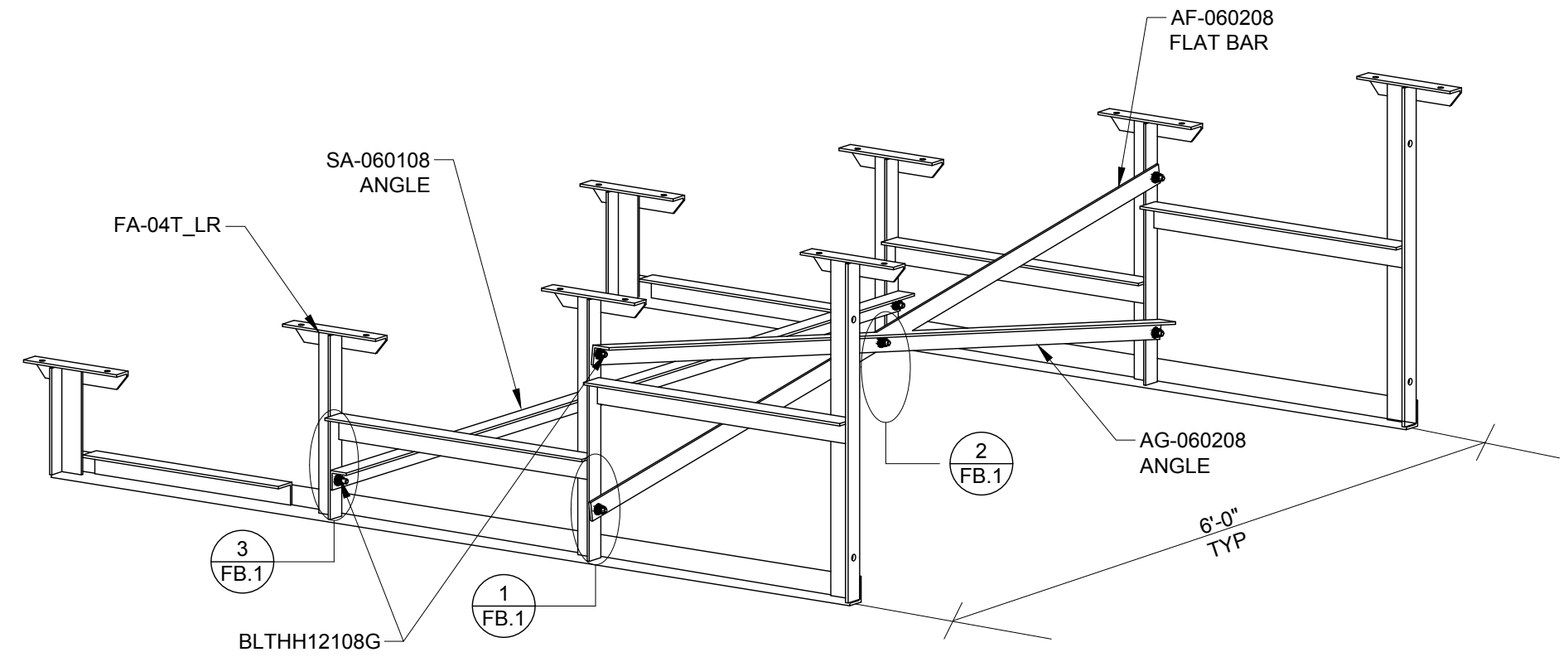
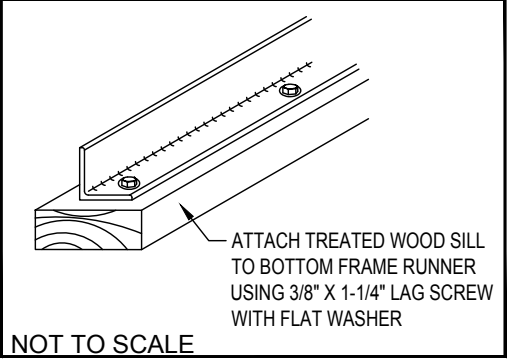
③ TYP SA-BRACE CONN. W/1 1/4" BOLT



○ (OPTIONAL) RUBBER FOOT PAD DETAIL



○ (OPTIONAL) MUD SILL ATTACHMENT

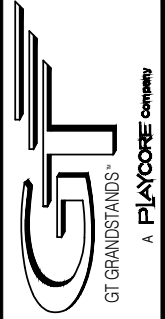


**FRAME SECTION**  
SCALE: NTS

PRE-ASSEMBLE X-BRACE SETS. EACH SET CONSISTS OF AN ANGLE AND FLAT BAR. PLACE THE PIECES TOGETHER AT THE FLAT SIDE AND CONNECT USING A 3/8" X 1 1/4" HEX BOLT & FLANGE NUT.



2810 Sydney Road  
Plant City, Florida 33566  
Phone: 813-305-1415  
Fax: 813-305-1419  
www.gtgrandstands.com



FRAME AND BRACE  
4 ROW BLEACHER  
6" RISE / 12" SEAT

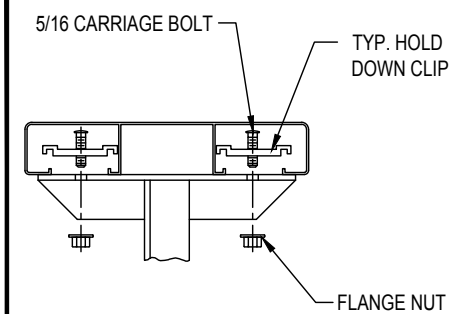
LU-047.5AS  
OPTIONAL -MS (MUD SILL)  
OPTIONAL -RB (RUBBER BUMPER)

DRAWN BY  
MME  
CHECKED BY  
TLC  
DATE  
11/01/2016  
SCALE  
AS SHOWN  
JOB NO.

LU-047.5AS  
DWG NO.

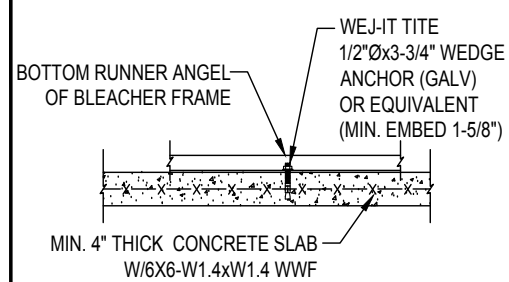
FB.1

① TYP 2x10/2X12 PLANK ATTACHMENT



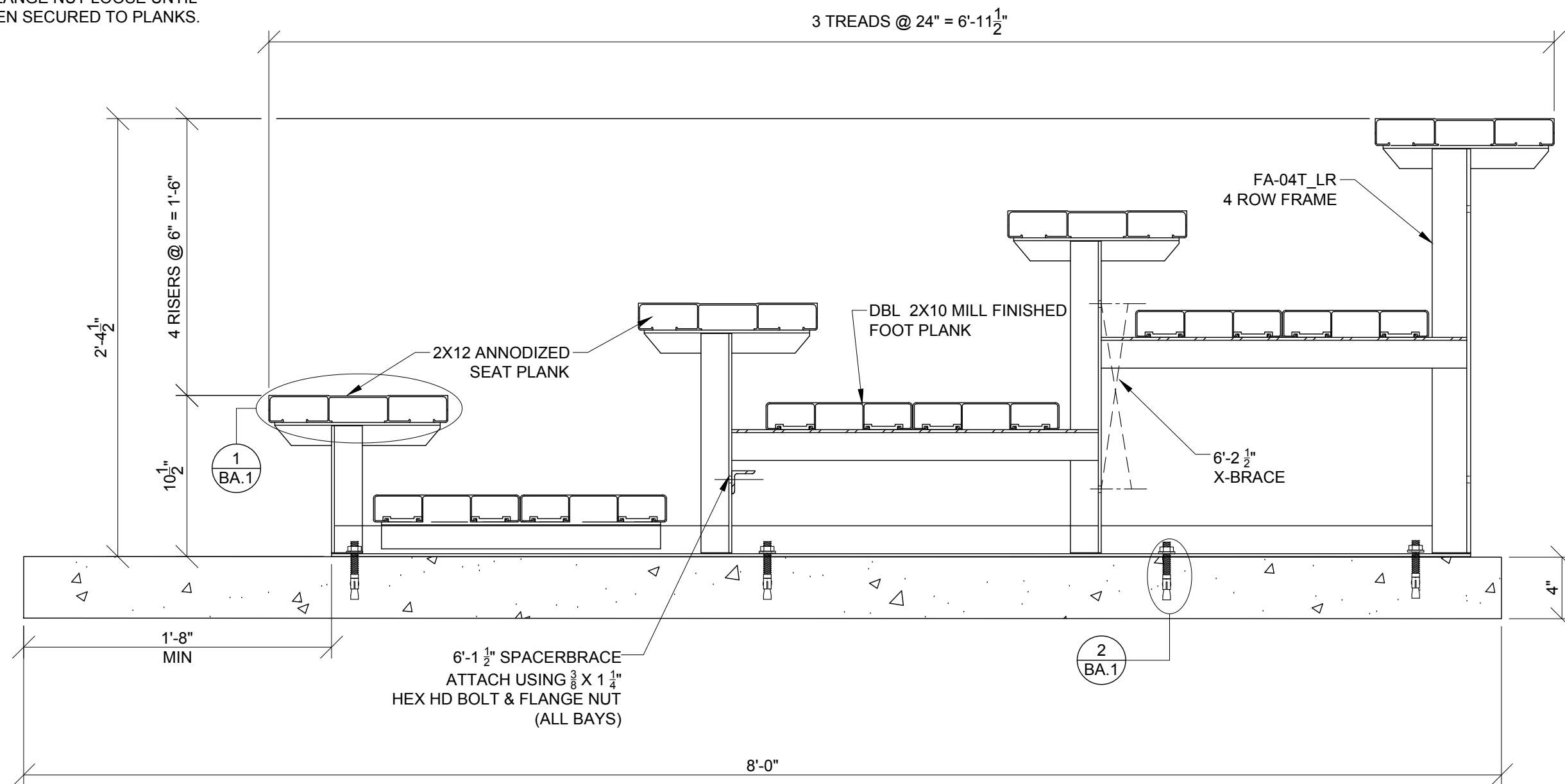
NOT TO SCALE

② OPTIONAL ANCHOR WEDGE DETAIL\*



NOT TO SCALE

NOTE: LEAVE FLANGE NUT LOOSE UNTIL CLIPS HAVE BEEN SECURED TO PLANKS.



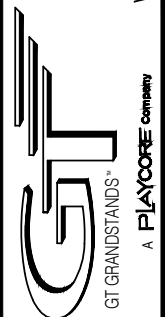
**BLEACHER ASSEMBLY**

SCALE: 1 1/2" = 1' - 0"

\*CONCRETE WEDGE ANCHORS NOT INCLUDED WITH ALL UNITS. IF USING OTHER ANCHORING SYSTEM, SKIP THIS STEP AND REFER TO INSTRUCTIONS SPECIFIC TO THE ANCHORING SYSTEM PURCHASED FOR YOUR UNIT. SEE PRINT FP.1 (INCLUDED IN THIS PACKET) FOR GENERAL CONCRETE FOUNDATION SPECIFICATIONS.



2810 Sydney Road  
Plant City, Florida 33566  
Phone: 813-305-1415  
Fax: 813-305-1419  
www.gtgrandstands.com



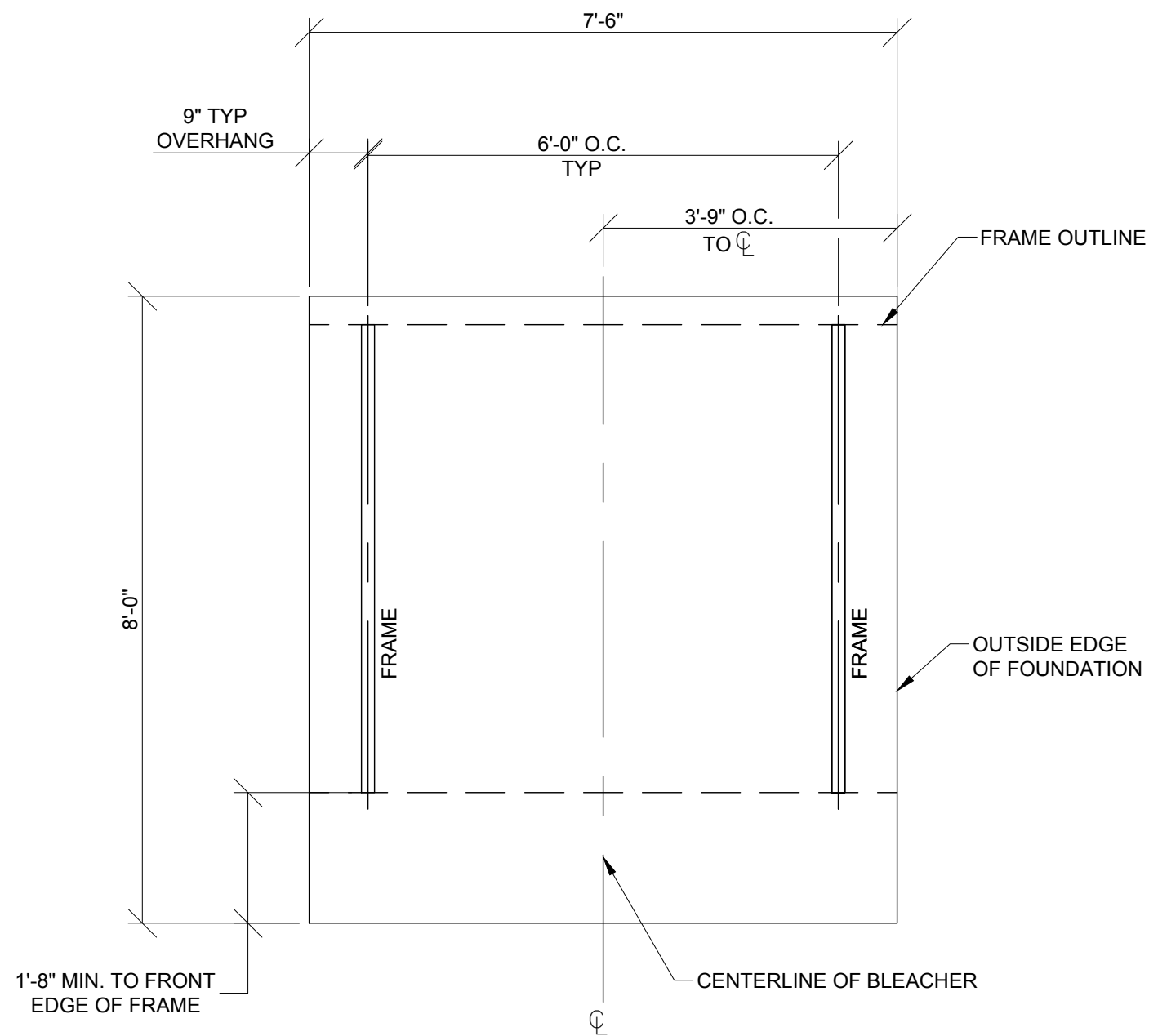
BLEACHER ASSEMBLY  
4 ROW BLEACHER  
6" RISE / 12" SEAT

LU-047.5AD  
(OPTIONAL CONCRETE FOUNDATION)  
LU SERIES

DRAWN BY  
MME  
CHECKED BY  
TLC  
DATE  
11/01/2016  
SCALE  
AS SHOWN  
JOB NO.

LU-047.5AD  
DWG NO.

BA.1



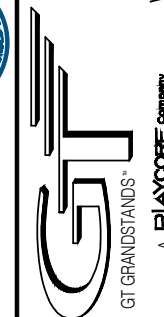
**OPTIONAL FOUNDATION PLAN\***

SCALE: 1/2" = 1' - 0"

\* MINIMUM FOUNDATION AREA SHOWN. DEPENDING ON LOCAL SOIL CONDITIONS, BLEACHER CAN BE INSTALLED ON A CONCRETE PAD OR FOOTERS, OR ATTACHED TO 2x6 TREATED LUMBER GROUND SILLS AND PLACED ON COMPACTED STONE, ASPHALT, OR ANY OTHER SMOOTH, SOLID, LEVEL SURFACE. CONSULT YOUR LOCAL CONCRETE CONTRACTOR TO DETERMINE PROPER CONCRETE SPECIFICATIONS FOR YOUR LOCAL SOIL AND WEATHER-RELATED CONDITIONS. THE BEARING SURFACE MUST BE CAPABLE OF SUPPORTING A MINIMUM OF 660 POUNDS PER LINEAR FOOT. TO MEET LOCAL CODES, BLEACHERS WILL NEED TO BE ANCHORED. ANCHORING SYSTEMS FOR ALL SURFACE TYPES ARE AVAILABLE - CONTACT YOUR BLEACHER SALES REPRESENTATIVE FOR MORE INFORMATION.



2810 Sydney Road  
Plant City, Florida 33566  
Phone: 813-305-1415  
Fax: 813-305-1419  
www.gtgrandstands.com



FOUNDATION PLAN  
4 ROW BLEACHER  
6" RISE / 12" SEAT

LU-047.5AD  
LU-SERIES

DRAWN BY  
MME  
CHECKED BY  
TLC  
DATE  
11/01/2016  
SCALE  
1/2" = 1' - 0"  
JOB NO.

LU-047.5AD  
DWG NO.

FP.1