

GENERAL NOTES:

A SMOOTH, SOLID, LEVEL SURFACE IS RECOMMENDED FOR BEST BLEACHER INSTALLATION.

DEPENDING ON LOCAL SOIL CONDITIONS, YOU MAY POUR A CONCRETE SLAB OR ATTACH TO TREATED WOOD (2X6 MINIMUM) SILLS TO HELP KEEP THE BASE LEVEL.

BLEACHERS MAY NEED TO BE ANCHORED TO CONCRETE TO MEET WIND LOADS. PLEASE CONSULT WITH YOUR LOCAL CODE OFFICIALS.

REVIEW THESE DRAWINGS THOROUGHLY TO FAMILIARIZE YOURSELF WITH THE UNIT AND ITS COMPONENTS, PRIOR TO INSTALLATION.

DUE TO VARYING LOCAL CODE REQUIREMENTS, THIS UNIT MAY NOT INCLUDE ALL OF THE AVAILABLE FEATURES TO BE IN COMPLETE COMPLIANCE. CODE COMPLIANCE IS THE RESPONSIBILITY OF THE PURCHASER.

THESE BLEACHERS HAVE BEEN DESIGNED TO MEET OR EXCEED INDUSTRY STANDARDS.

ASSEMBLY NOTES:

X-BRACING IS SHIPPED IN UNASSEMBLED, EACH X-BRACE CONSISTS OF AN ANGLE WITH NOTCHED ENDS AND ONE WITHOUT NOTCHED ENDS. ATTACH X-BRACES TOGETHER USING 3/8" X 1-1/4" BOLT, NUT, AND WASHER AT CENTER HOLE. ATTACH ANGLE FLAT SIDE TO FLAT SIDE.

USE X-BRACING AND BOLT-ON FOOT BRACKET TO SET SPACING OF FRAMES.

REFER TO DETAILS FOR ATTACHMENT OF EACH COMPONENT.

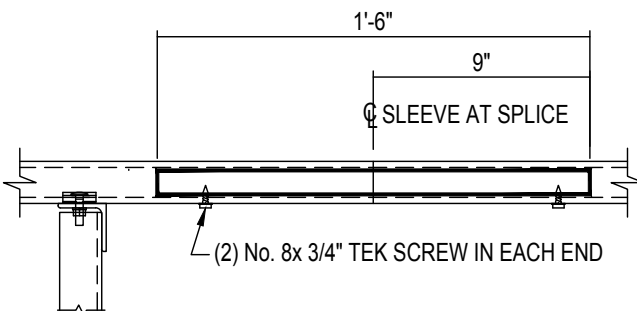
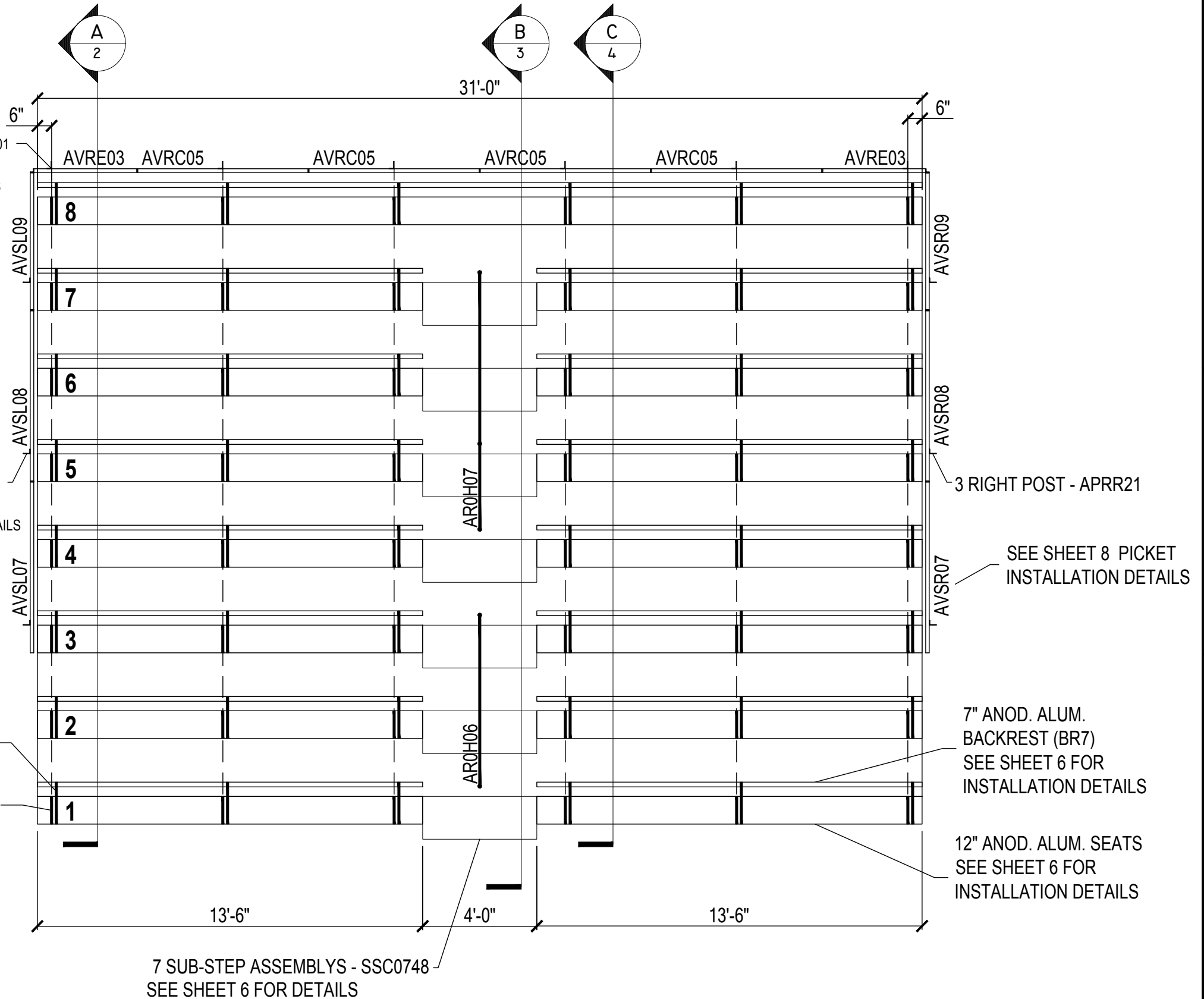
ATTACH RAIL POST INITIALLY USING SNUG-TIGHT BOLTS TO ALLOW FOR PLUMBING POSTS DURING INSTALLATION OF GUARDRAIL SYSTEM. TIGHTEN DOWN ALL BOLTS AFTER COMPONENTS ARE PLUMB.

5 BACK POST - APBR0801
SEE SHEET 2 FOR
INSTALLATION DETAILS

3 LEFT POST - APRL21
SEE SHEET 7
INSTALLATION DETAILS

ANOD. ALUM.
BACKREST STANCHION
(ST10)
SEE SHEET 6
FOR DETAILS

48 SEAT BRACKETS
ABSC02
LOCATE SEAT BKT.
@ SEE SHEET 6
INSTALLATION DETAILS



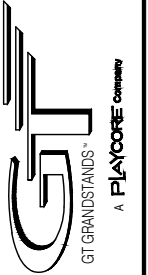
ALUMINUM SLEEVE DETAIL

7 SUB-STEP ASSEMBLYS - SSC0748
SEE SHEET 6 FOR DETAILS

SEATING PLAN

SCALE: 1/4" = 1'-0"
146 SEATS

2810 Sydney Road
Plant City, Florida 33566
Phone: 813-305-1415
Fax: 813-305-1419
www.gtgrandstands.com



SEATING PLAN
8 ROW
14" RISE / 36" TREAD

LT-083IADV-A
LUXURY TREAD BLEACHER

DRAWN BY
CHECKED BY
DATE
OCT 2010
SCALE
NOTED
JOB NO.

LT-083IADV-A
DWG NO.

ALUM. FRAME ANGLE SIZES:

Verticals = 1 3/4 x 1 3/4 x 3/16
 Tread Horizontals = 3 x 2 x 3/16
 All Diagonals = 1 1/2 x 1 1/2 x 3/16
 Row 4 Vert. = 3 x 2 x 3/16"

ALUM. BOX FRAME ANGLE SIZES:

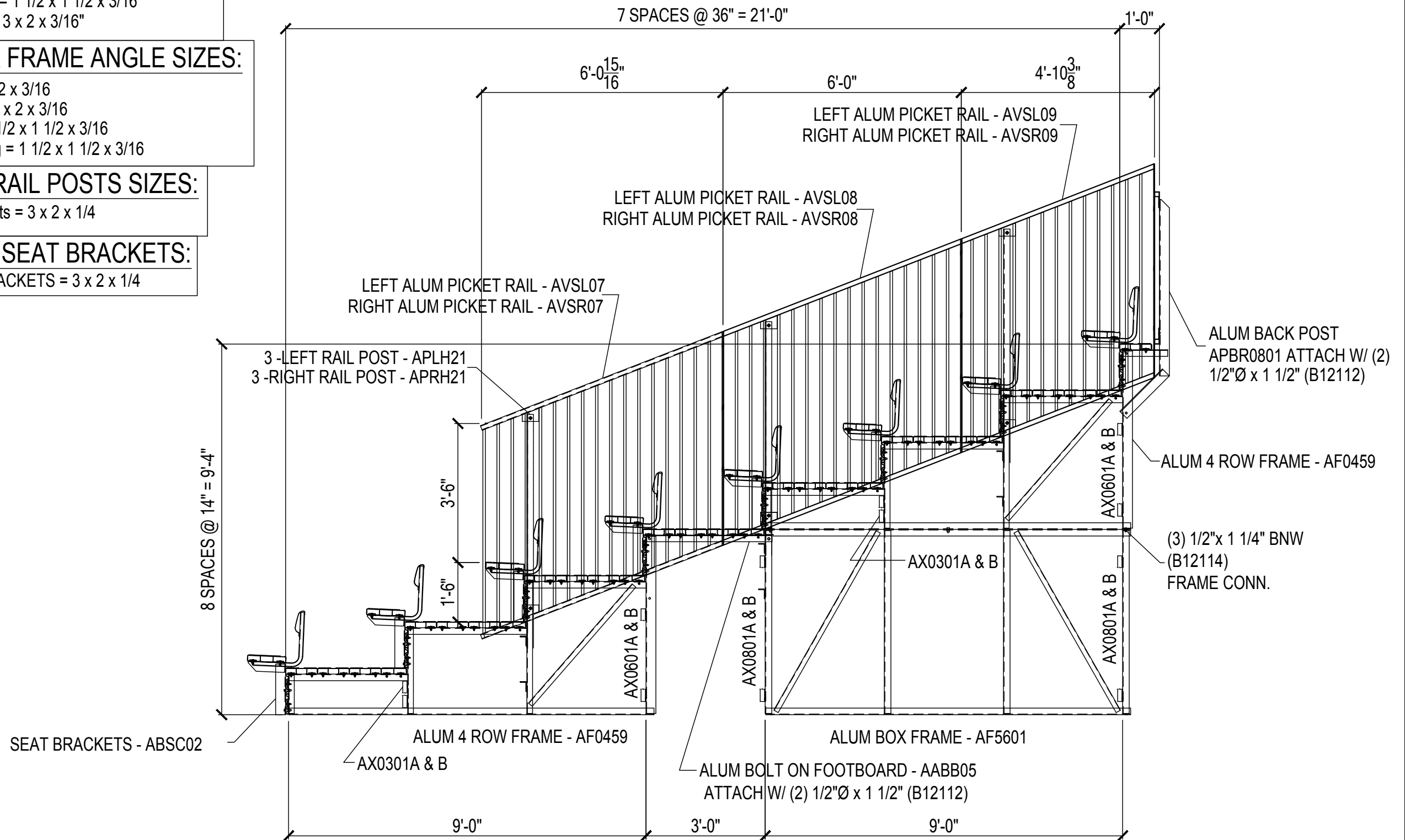
All Verticals = 2 x 2 x 3/16
 All Horizontals = 2 x 2 x 3/16
 All Diagonals = 1 1/2 x 1 1/2 x 3/16
 All Bolt-on Bracing = 1 1/2 x 1 1/2 x 3/16

ALUM RAIL POSTS SIZES:

All Rail Posts = 3 x 2 x 1/4

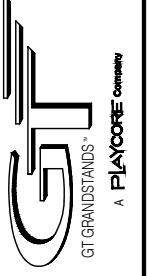
ALUM SEAT BRACKETS:

SEAT BRACKETS = 3 x 2 x 1/4



SECTION A
 3/8" = 1'-0"

2810 Sydney Road
 Plant City, Florida 33566
 Phone: 813-305-1415
 Fax: 813-305-1419
 www.gtgrandstands.com

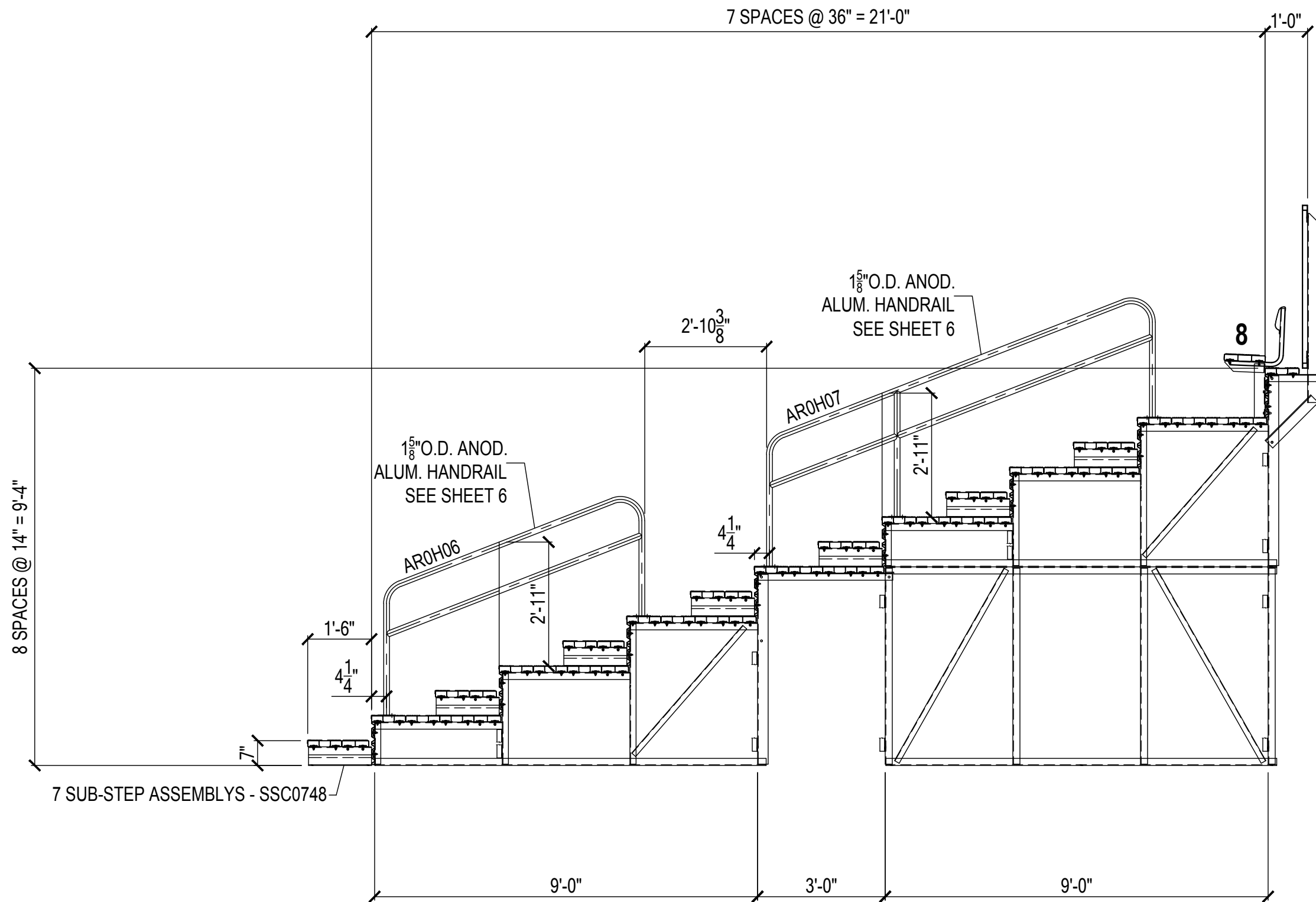


SECTION THRU END OF STAND
 8 ROW
 14" RISE / 36" TREAD

LT-083IADV-A
 LUXURY TREAD BLEACHER

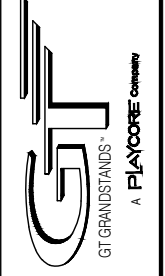
DRAWN BY
 CHECKED BY
 DATE
 OCT 2010
 SCALE
 NOTED
 JOB NO.

LT-083IADV-A
 DWG NO.



SECTION B
3/8" = 1'-0"

2810 Sydney Road
Plant City, Florida 33566
Phone: 813-305-1415
Fax: 813-305-1419
www.gtgrandstands.com

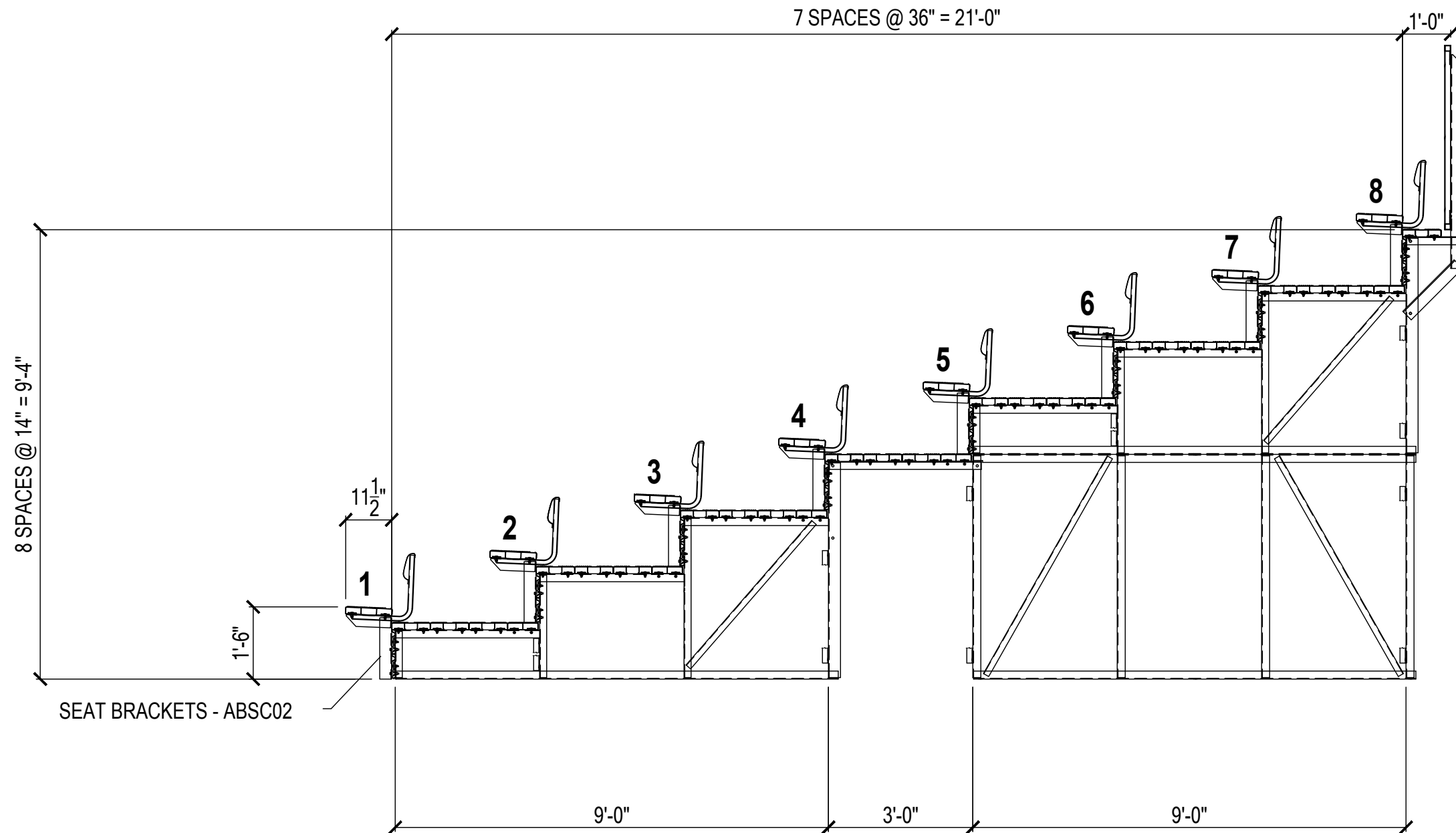


SECTION THRU AISLE
8 ROW
14" RISE / 36" TREAD

LT-083IADV-A
LUXURY TREAD BLEACHER

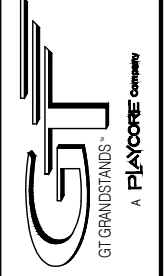
DRAWN BY
CHECKED BY
DATE
OCT 2010
SCALE
NOTED
JOB NO.

LT-083IADV-A
DWG NO.



SECTION C
3/8" = 1'-0"

2810 Sydney Road
Plant City, Florida 33566
Phone: 813-305-1415
Fax: 813-305-1419
www.gtgrandstands.com

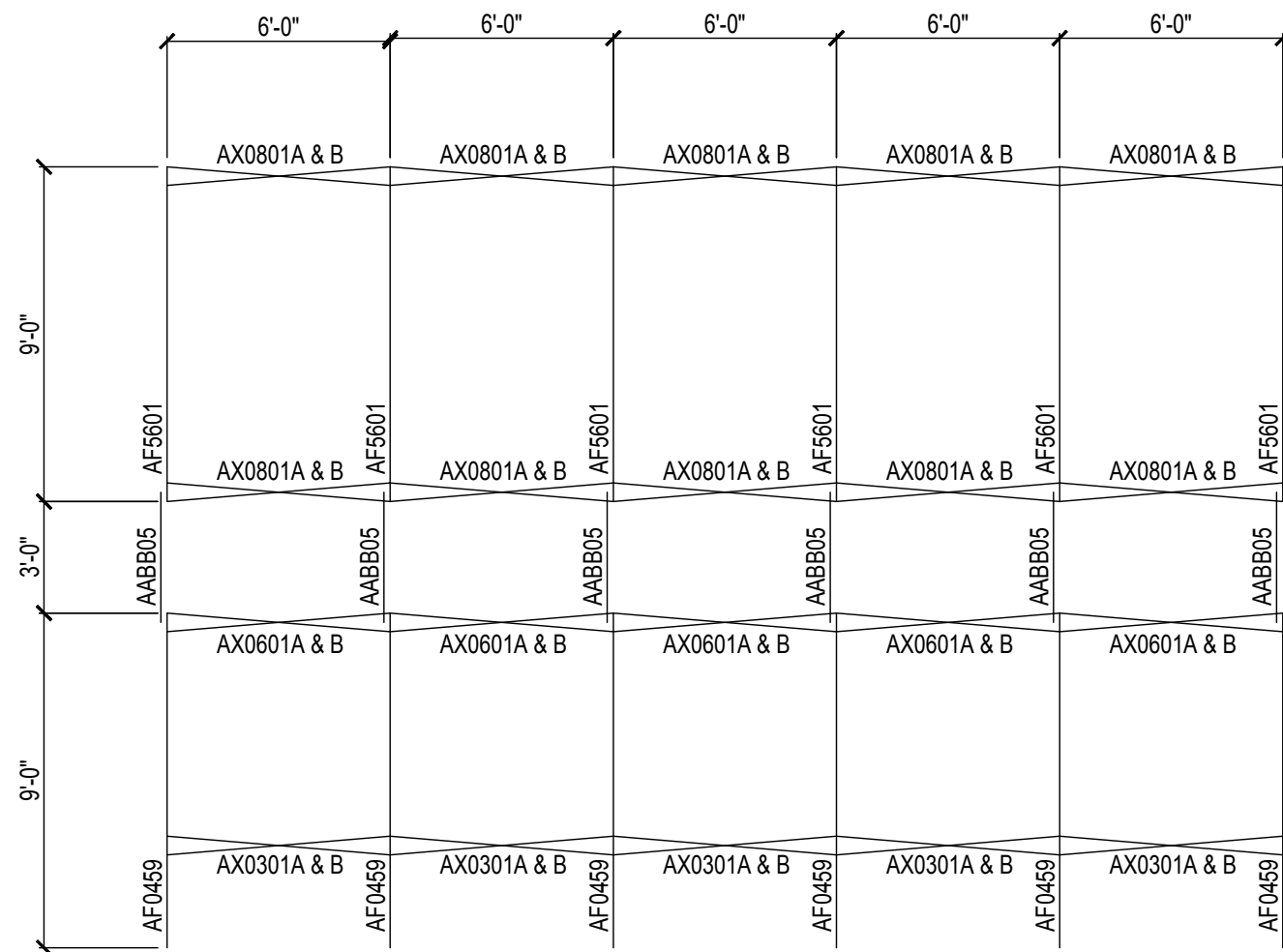


SECTION THRU SEATS
8 ROW
14" RISE / 36" TREAD

LT-083IADV-A
LUXURY TREAD BLEACHER

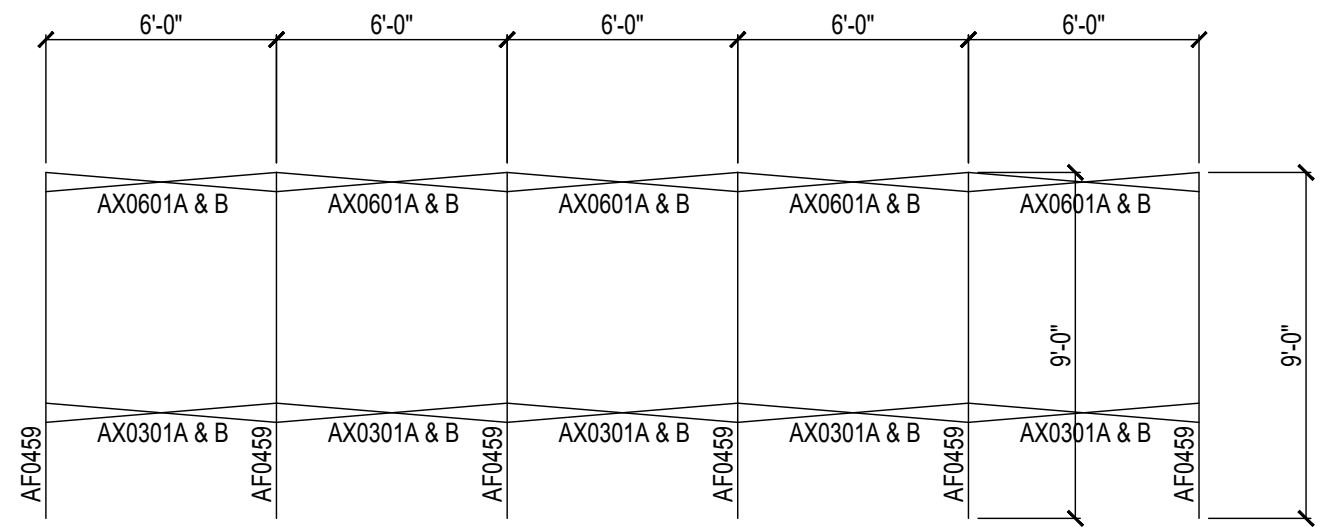
DRAWN BY
CHECKED BY
DATE
OCT 2010
SCALE
NOTED
JOB NO.

LT-083IADV-A
DWG NO.



LOWER FRAMING PLAN

SCALE: 3/16" = 1'-0"

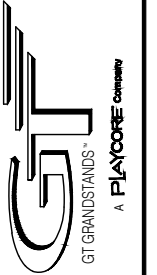


UPPER FRAMING PLAN

SCALE: 3/16" = 1'-0"

ALUMINUM "X" BRACING:

BRACING = ALUM. L1 1/2 x 1 1/2 x 3/16

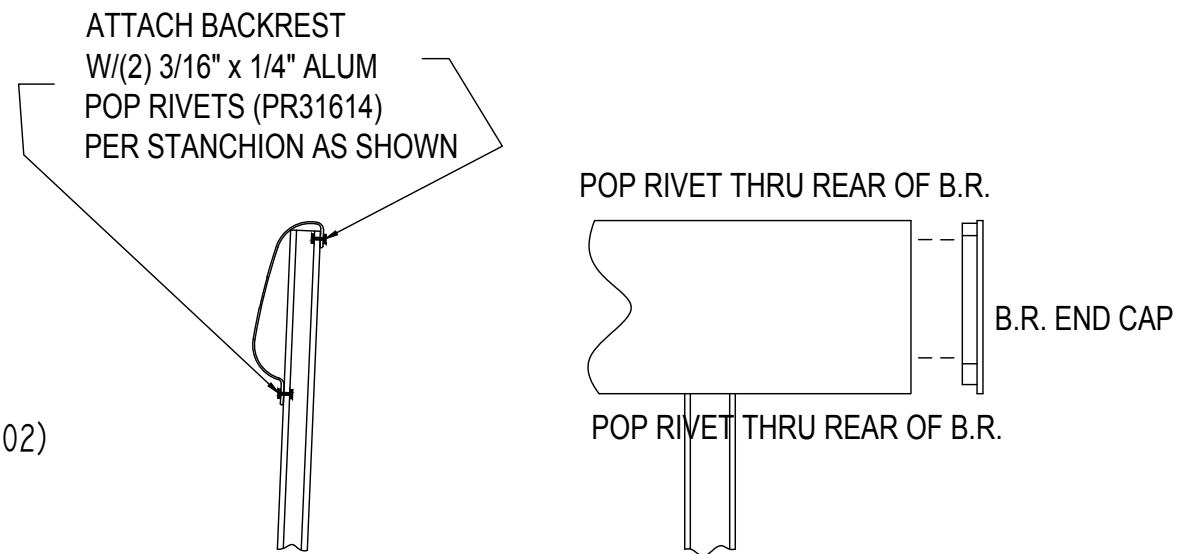
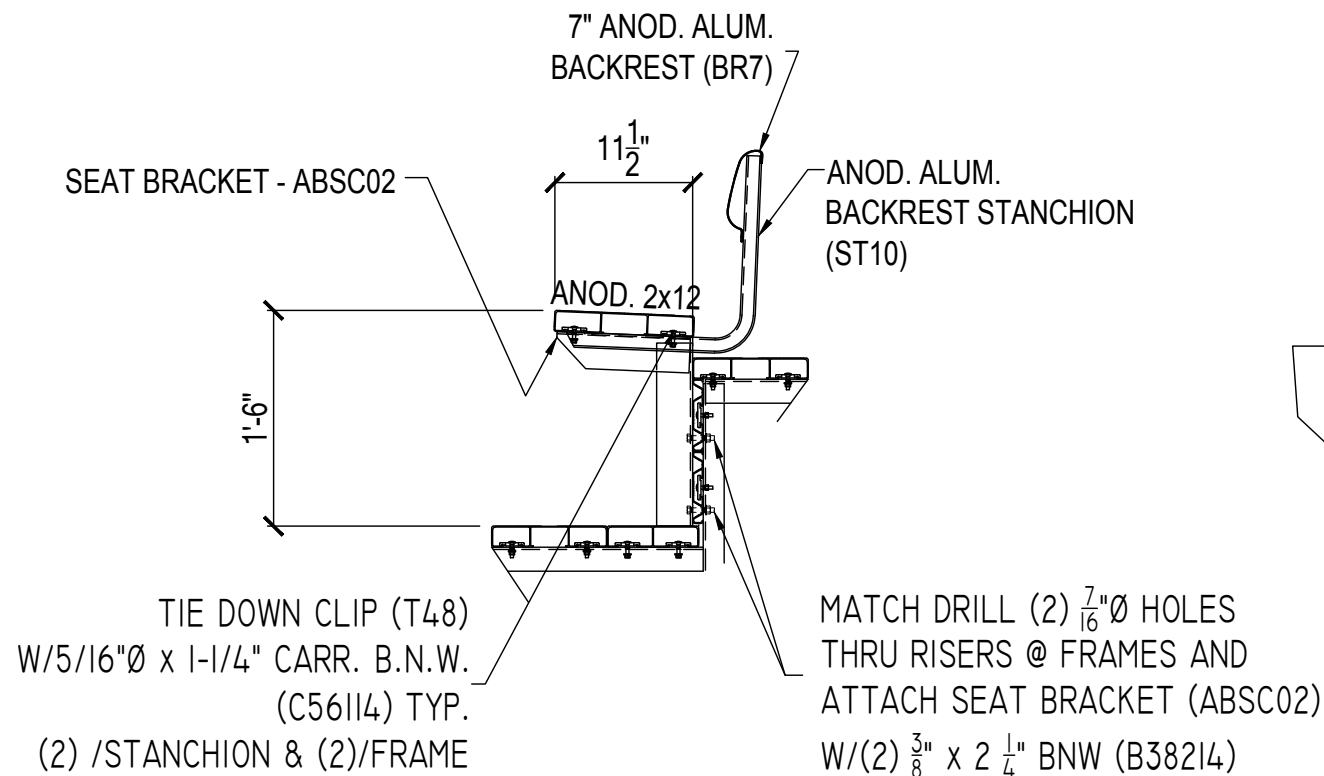
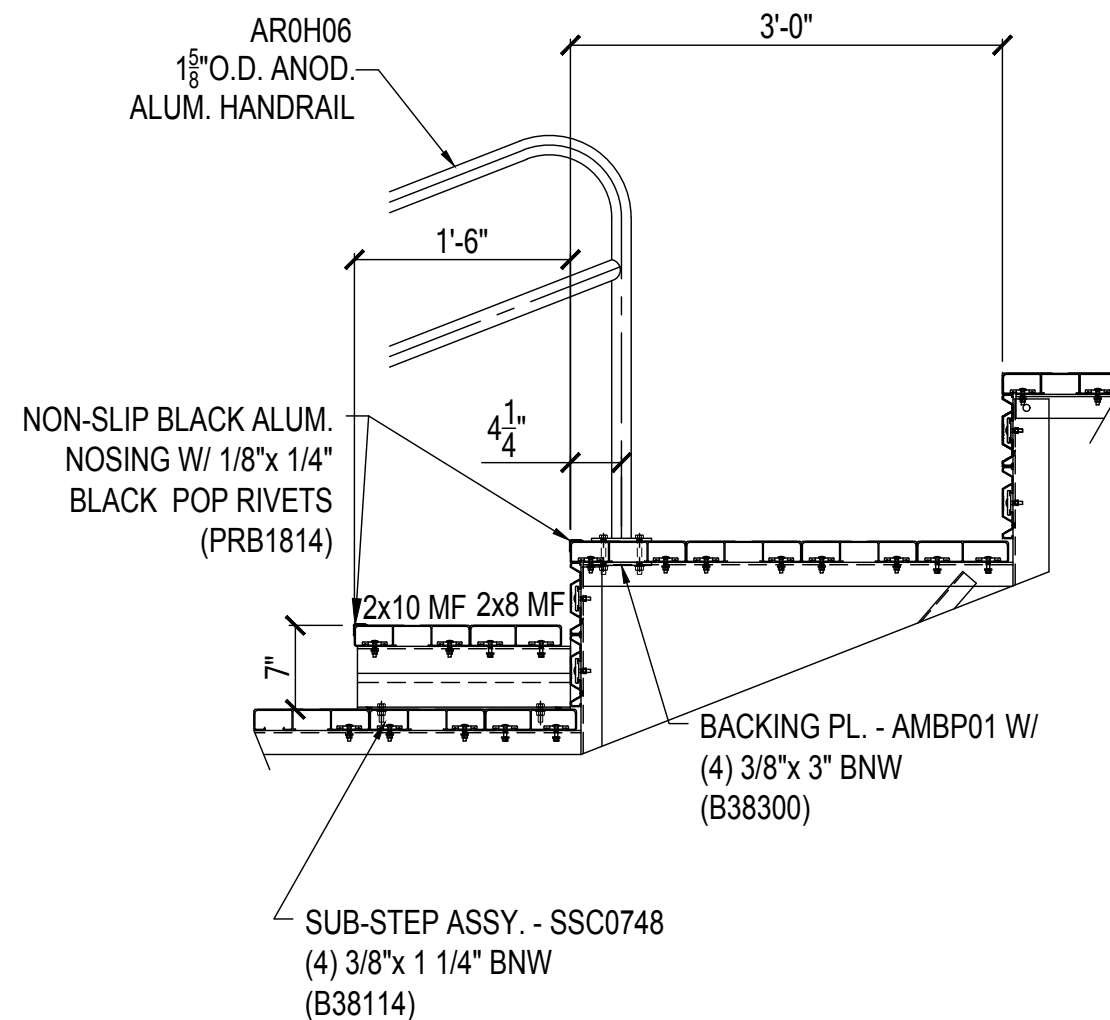
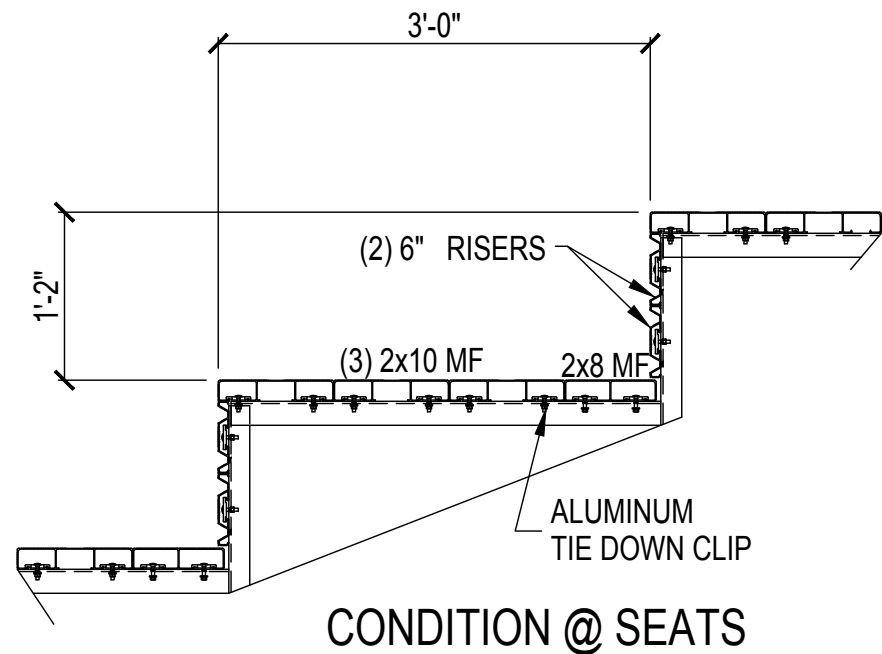


FRAMING LAYOUT
8 ROW
14" RISE / 36" TREAD

LT-083IADV-A
LUXURY TREAD BLEACHER

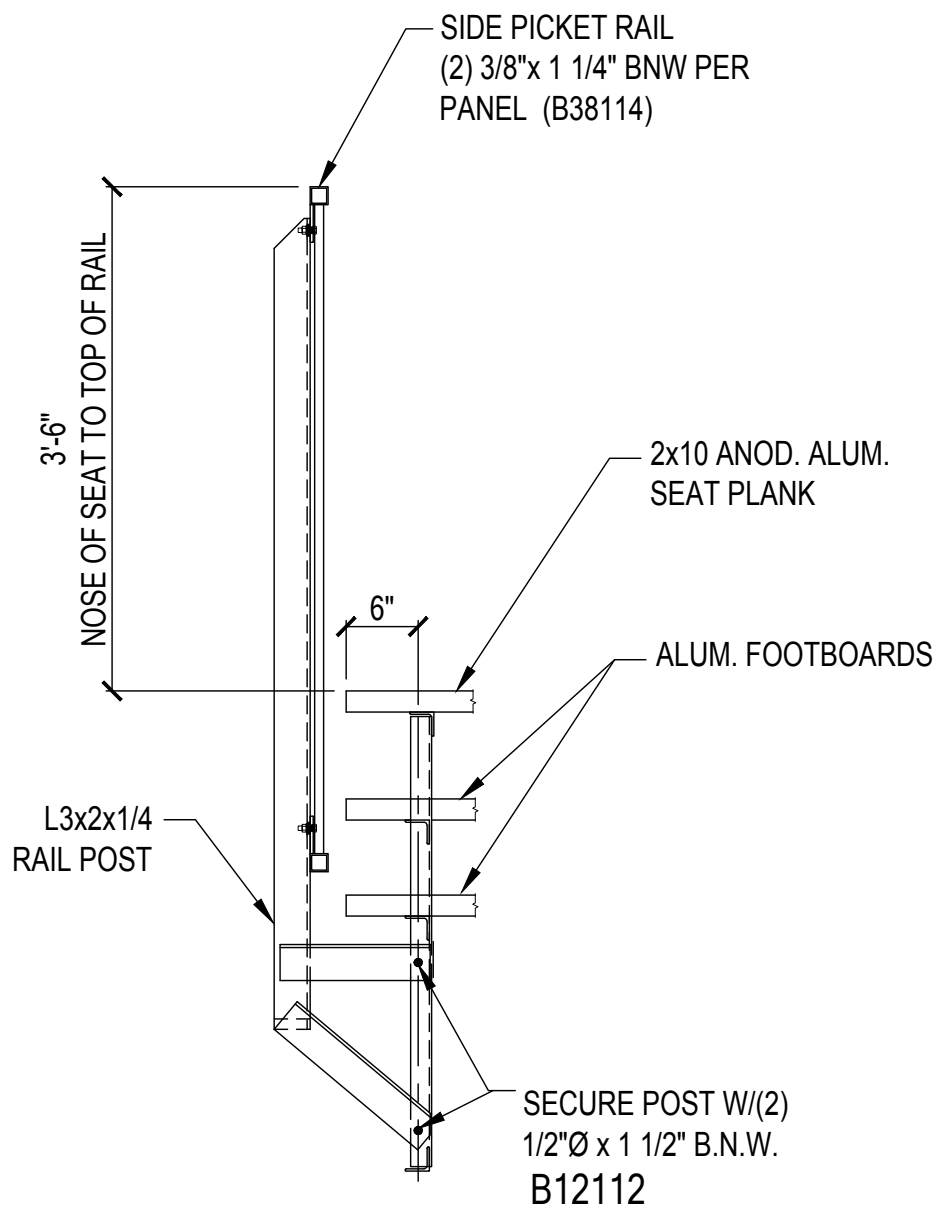
DRAWN BY
CHECKED BY
DATE
OCT 2010
SCALE
NOTED
JOB NO.

LT-083IADV-A
DWG NO.

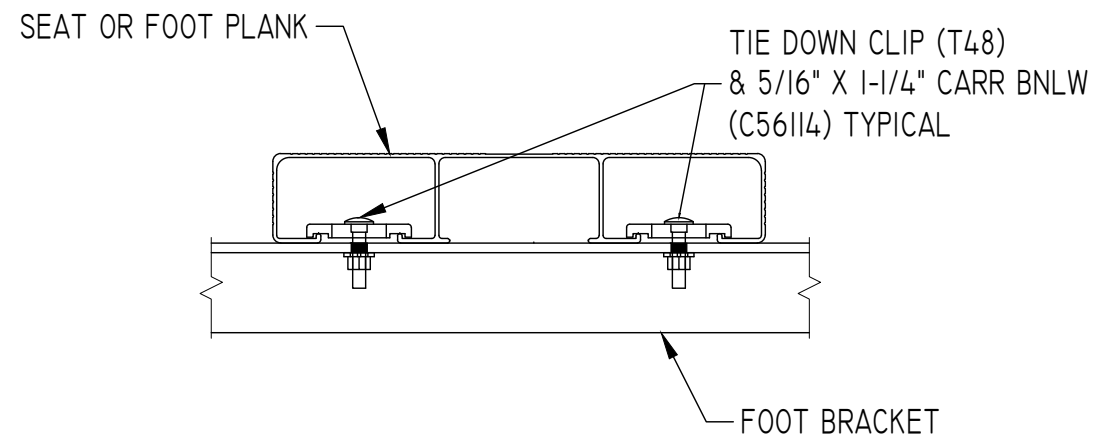


BACKREST & BACKREST END CAP CONNECTION DETAILS

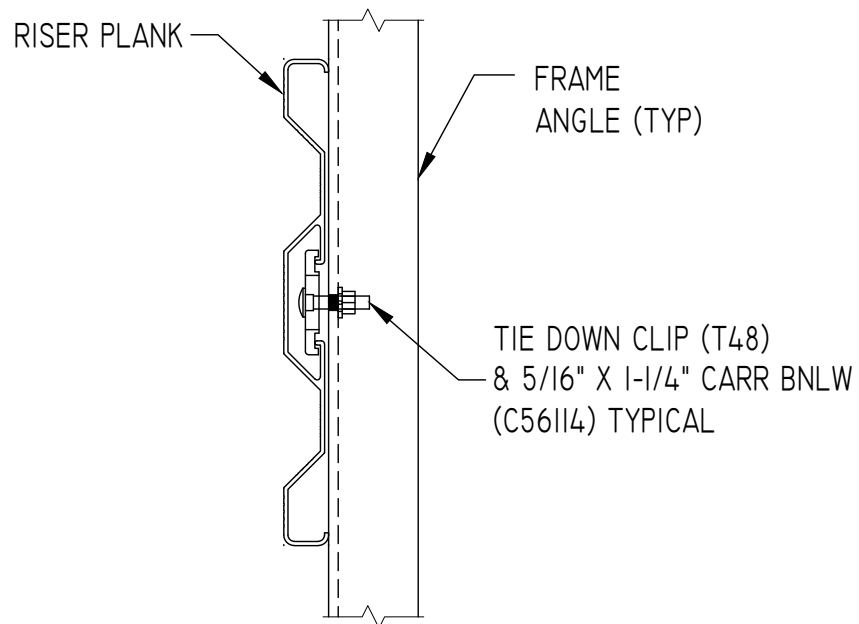
PLANK CONFIGURATIONS



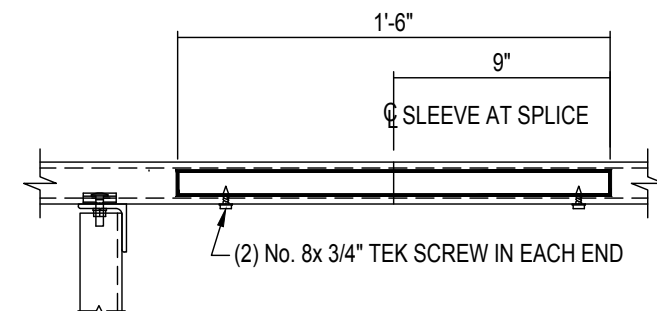
RAIL POST CONNECTION DETAIL



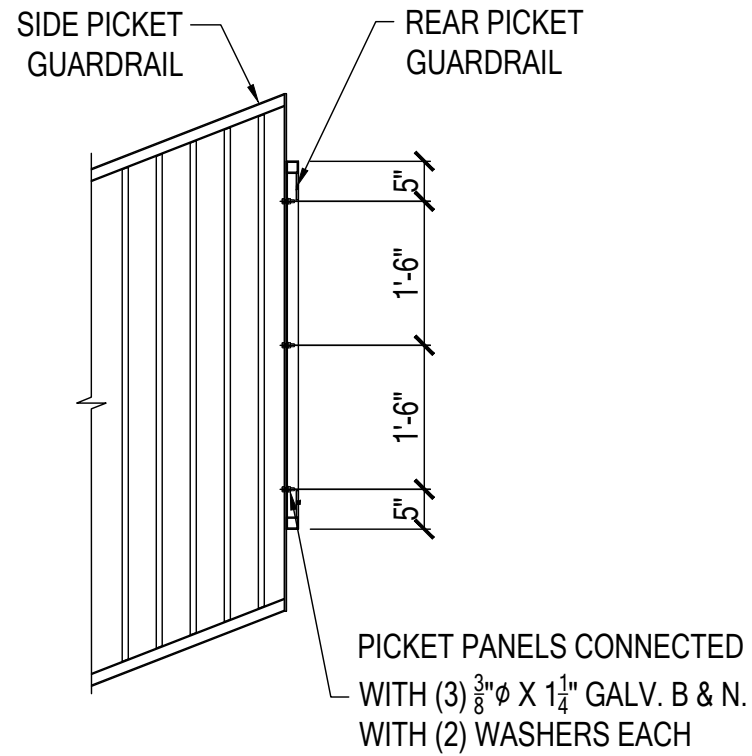
ALUMINUM PLANK DETAIL



RISER INSTALLATION DETAIL

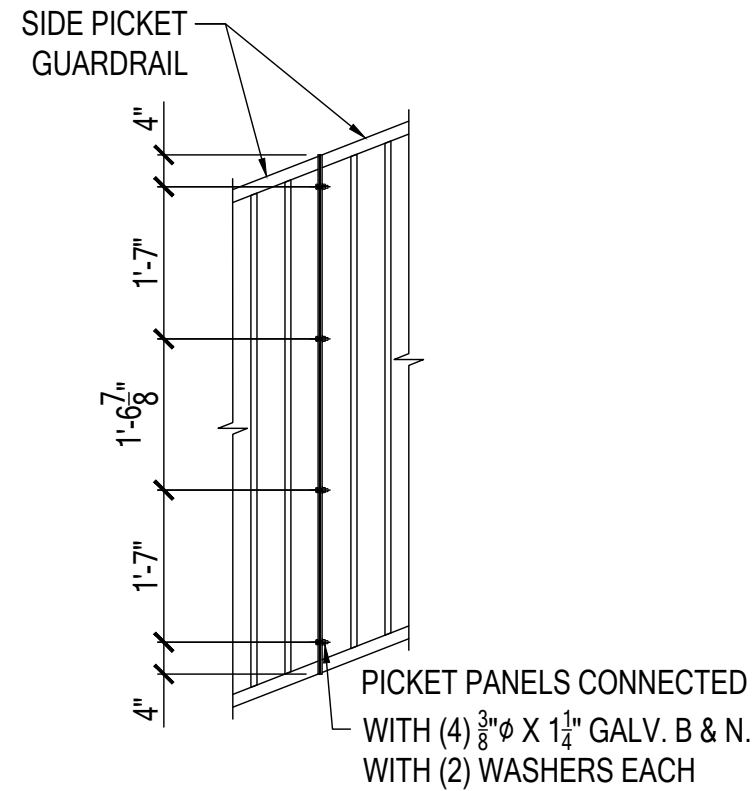


ALUMINUM SLEEVE DETAIL



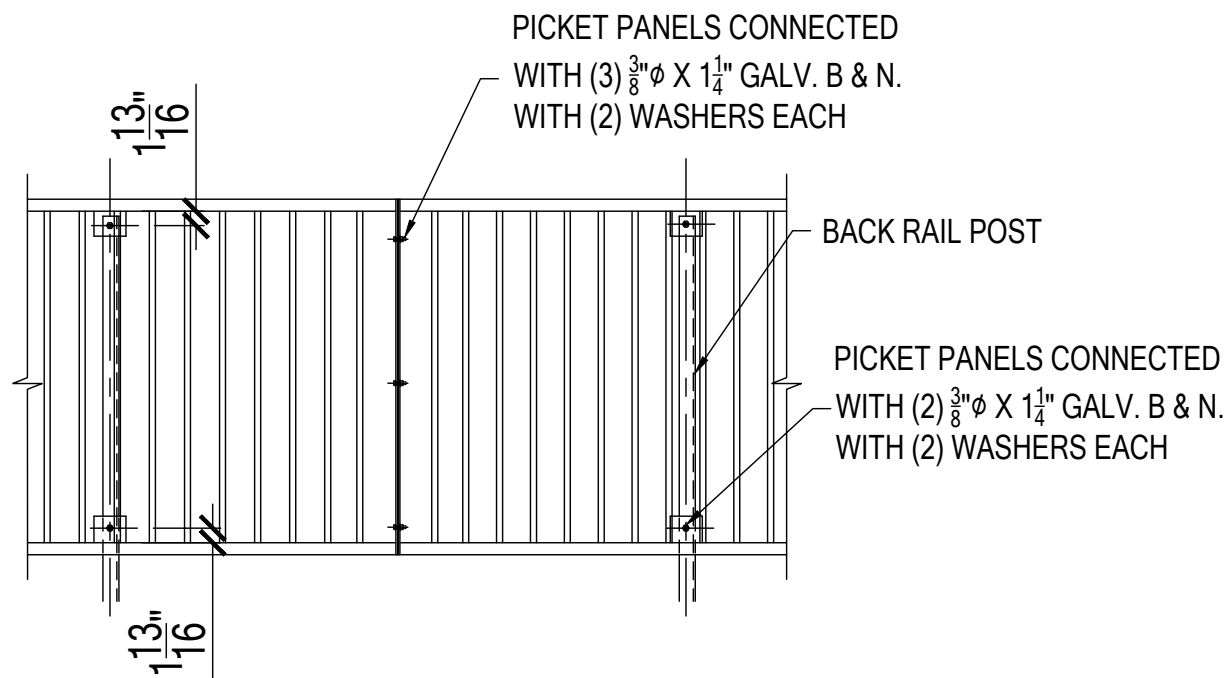
TYP SIDE/REAR PANEL CONNECTION

SCALE: 1/2"=1'-0"



TYP SIDE/SIDE PANEL CONNECTION (IF APPLICABLE)

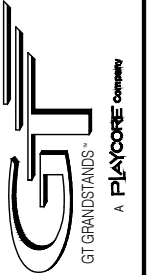
SCALE: 1/2"=1'-0"



TYP REAR PANEL CONNECTION

SCALE: 1/2"=1'-0"

2810 Sydney Road
Plant City, Florida 33566
Phone: 813-305-1415
Fax: 813-305-1419
www.gtgrandstands.com



PICKET DETAILS
8 ROW
14" RISE / 36" TREAD

LT-083IADV-A
LUXURY TREAD BLEACHER

DRAWN BY
CHECKED BY
DATE
OCT 2010
SCALE
NOTED
JOB NO.

LT-083IADV-A
DWG NO.