

GENERAL NOTES:

A SMOOTH, SOLID, LEVEL SURFACE IS RECOMMENDED FOR BEST BLEACHER INSTALLATION.

DEPENDING ON LOCAL SOIL CONDITIONS, YOU MAY POUR A CONCRETE SLAB OR ATTACH TO TREATED WOOD (2X6 MINIMUM) SILLS TO HELP KEEP THE BASE LEVEL.

BLEACHERS MAY NEED TO BE ANCHORED TO CONCRETE TO MEET WIND LOADS. PLEASE CONSULT WITH YOUR LOCAL CODE OFFICIALS.

REVIEW THESE DRAWINGS THOROUGHLY TO FAMILIARIZE YOURSELF WITH THE UNIT AND ITS COMPONENTS, PRIOR TO INSTALLATION.

DUE TO VARYING LOCAL CODE REQUIREMENTS, THIS UNIT MAY NOT INCLUDE ALL OF THE AVAILABLE FEATURES TO BE IN COMPLETE COMPLIANCE. CODE COMPLIANCE IS THE RESPONSIBILITY OF THE PURCHASER.

THESE BLEACHERS HAVE BEEN DESIGNED TO MEET OR EXCEED INDUSTRY STANDARDS.

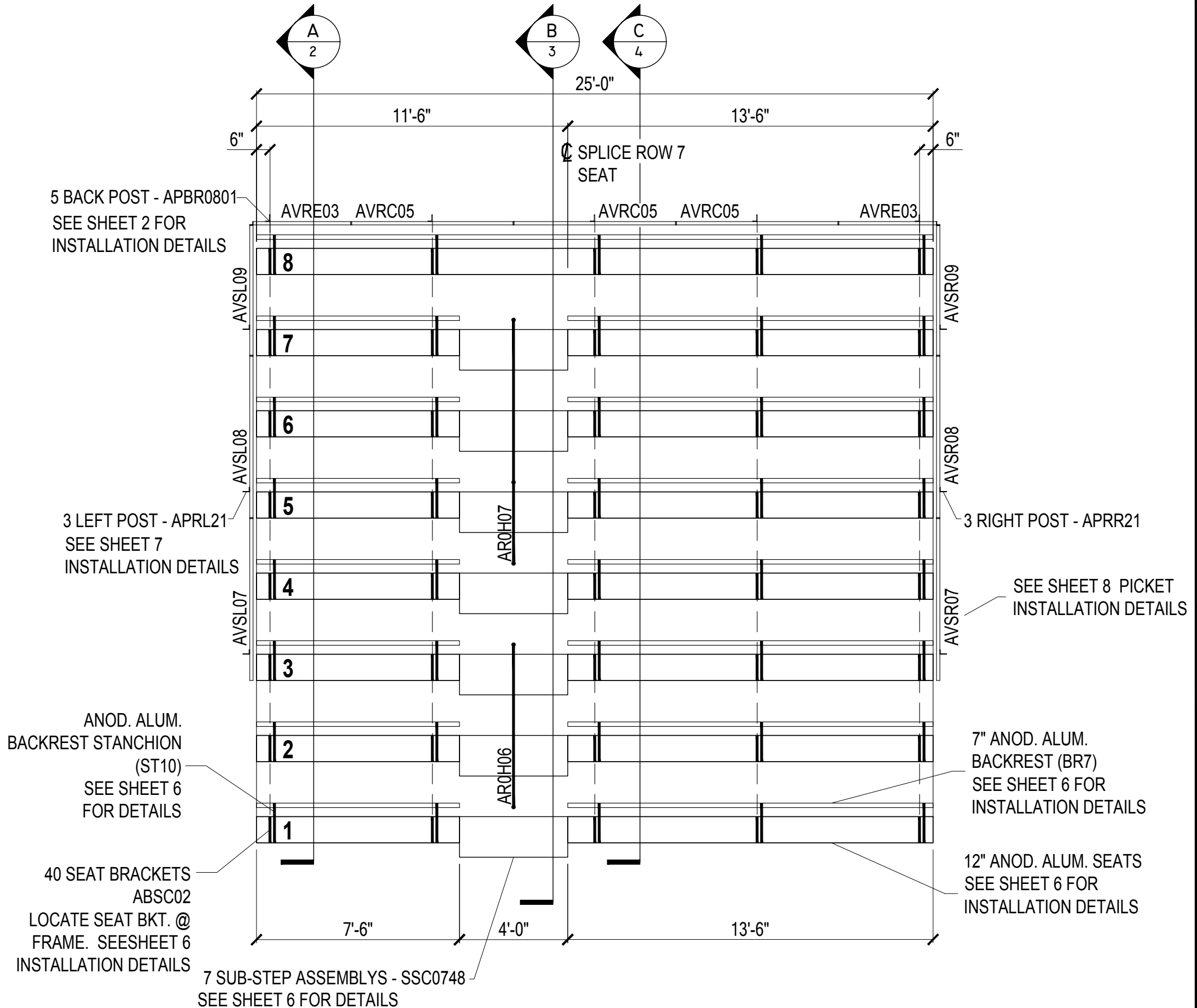
ASSEMBLY NOTES:

X-BRACING IS SHIPPED IN UNASSEMBLED, EACH X-BRACE CONSISTS OF AN ANGLE WITH NOTCHED ENDS AND ONE WITHOUT NOTCHED ENDS. ATTACH X-BRACES TOGETHER USING 3/8" X 1-1/4" BOLT, NUT, AND WASHER AT CENTER HOLE. ATTACH ANGLE FLAT SIDE TO FLAT SIDE.

USE X-BRACING AND BOLT-ON FOOT BRACKET TO SET SPACING OF FRAMES.

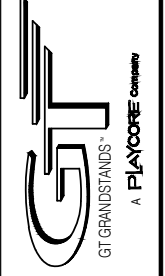
REFER TO DETAILS FOR ATTACHMENT OF EACH COMPONENT.

ATTACH RAIL POST INITIALLY USING SNUG-TIGHT BOLTS TO ALLOW FOR PLUMBING POSTS DURING INSTALLATION OF GUARDRAIL SYSTEM. TIGHTEN DOWN ALL BOLTS AFTER COMPONENTS ARE PLUMB.



SEATING PLAN
SCALE: 1/4" = 1'-0"
114 SEATS

2810 Sydney Road
Plant City, Florida 33566
Phone: 813-305-1415
Fax: 813-305-1419
www.gtgrandstands.com



SEATING PLAN
8 ROW
14" RISE / 36" TREAD

LT-0825ADV-A
LUXURY TREAD BLEACHER

DRAWN BY
CHECKED BY
DATE OCT 2010
SCALE NOTED
JOB NO.

LT-0825ADV-A
DWG NO.
1 OF 8

ALUM. FRAME ANGLE SIZES:

Verticals = 1 3/4 x 1 3/4 x 3/16
 Tread Horizontals = 3 x 2 x 3/16
 All Diagonals = 1 1/2 x 1 1/2 x 3/16
 Row 4 Vert. = 3 x 2 x 3/16"

ALUM. BOX FRAME ANGLE SIZES:

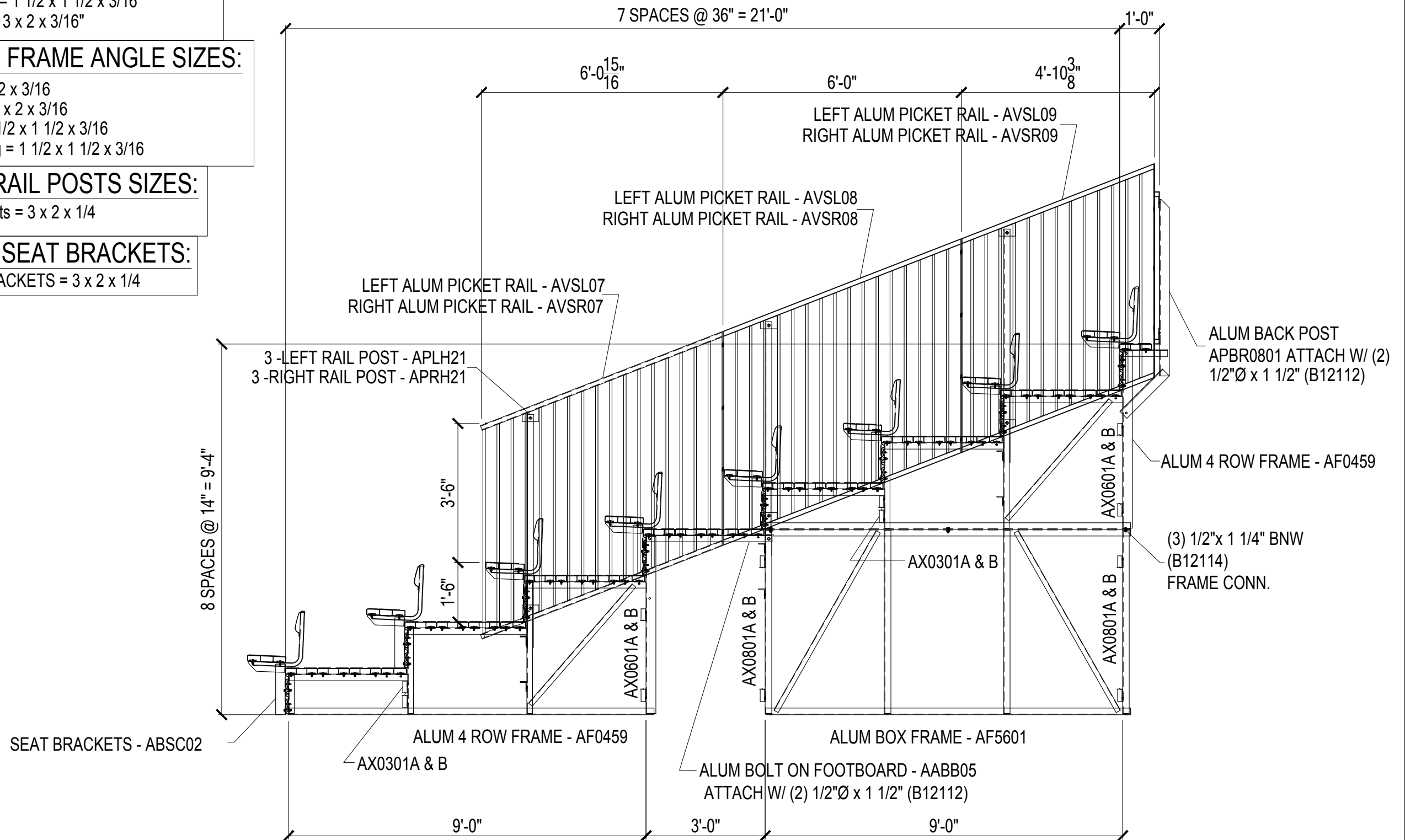
All Verticals = 2 x 2 x 3/16
 All Horizontals = 2 x 2 x 3/16
 All Diagonals = 1 1/2 x 1 1/2 x 3/16
 All Bolt-on Bracing = 1 1/2 x 1 1/2 x 3/16

ALUM RAIL POSTS SIZES:

All Rail Posts = 3 x 2 x 1/4

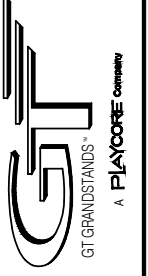
ALUM SEAT BRACKETS:

SEAT BRACKETS = 3 x 2 x 1/4



SECTION A
 3/8" = 1'-0"

2810 Sydney Road
 Plant City, Florida 33566
 Phone: 813-305-1415
 Fax: 813-305-1419
 www.gtgrandstands.com

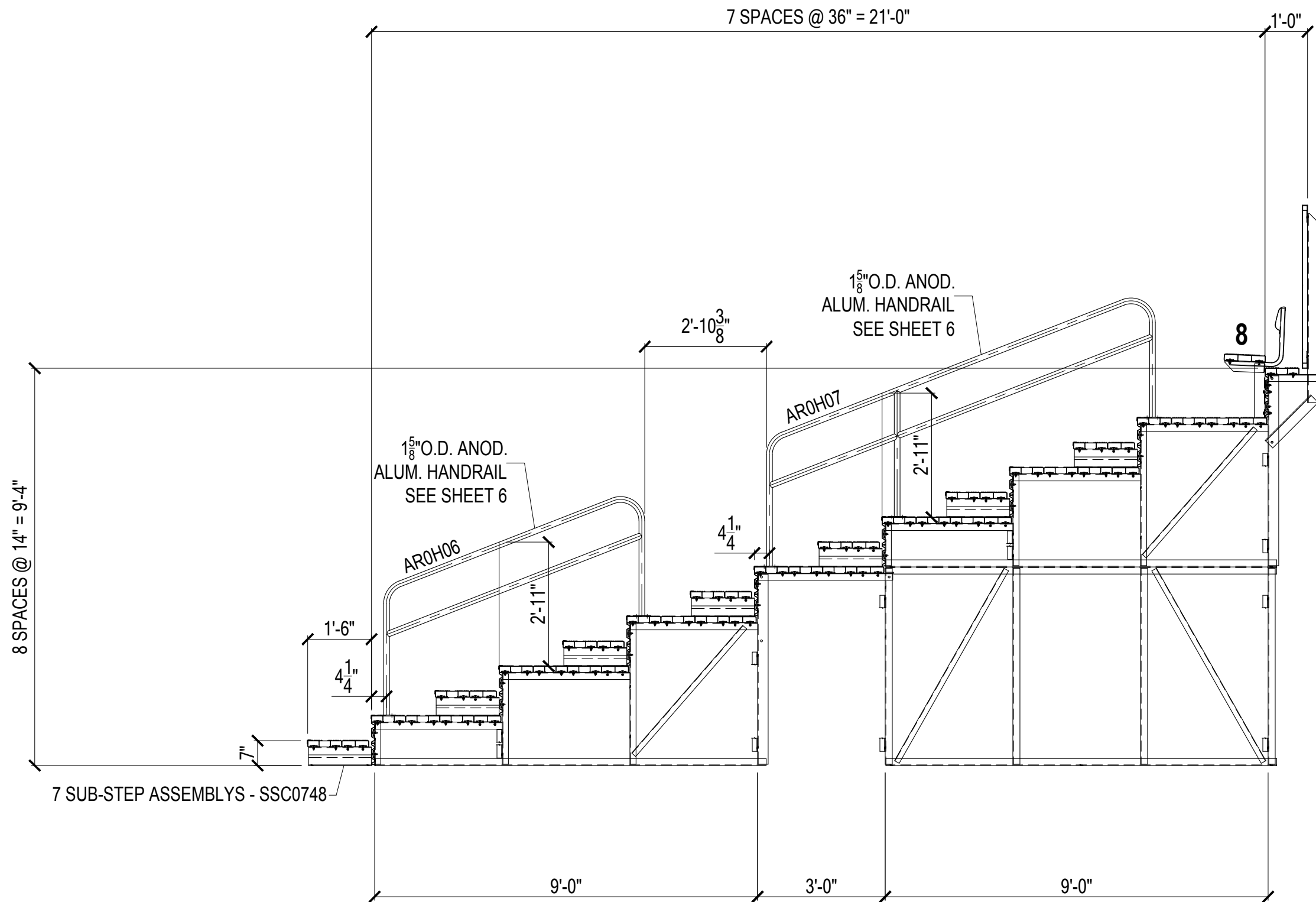


SECTION THRU END OF STAND
 8 ROW
 14" RISE / 36" TREAD

LT-08xxADV-A
 LUXURY TREAD BLEACHER

DRAWN BY
 CHECKED BY
 DATE
 OCT 2010
 SCALE
 NOTED
 JOB NO.

LT-08XXADV-A
 DWG NO.

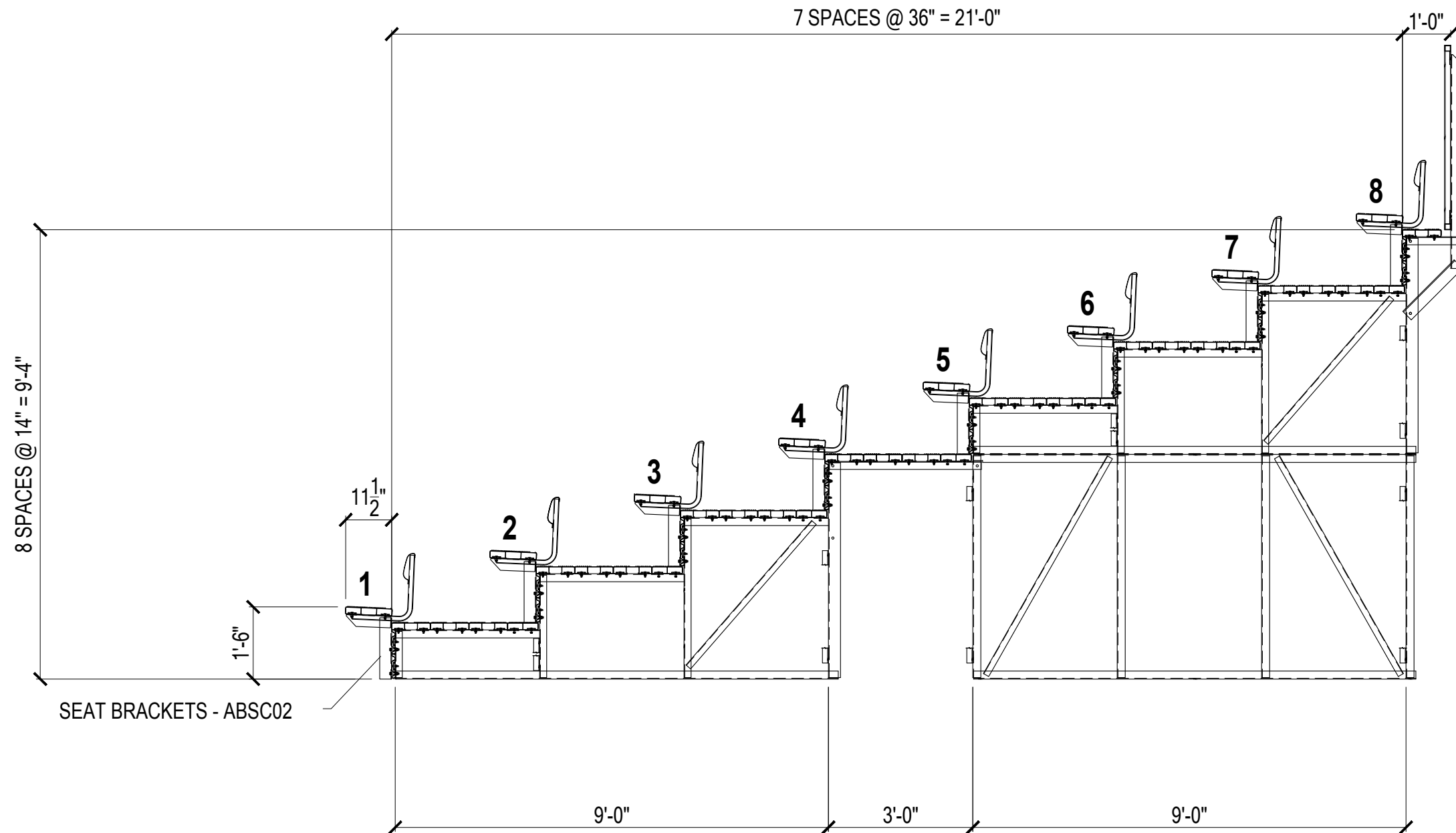


SECTION B
 3/8" = 1'-0"

SECTION THRU AISLE
 8 ROW
 14" RISE / 36" TREAD

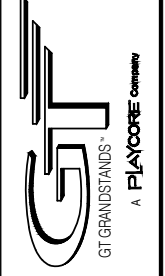
LT-08xxADV-A
 LUXURY TREAD BLEACHER

DRAWN BY
CHECKED BY
DATE OCT 2010
SCALE NOTED
JOB NO.



SECTION C
3/8" = 1'-0"

2810 Sydney Road
Plant City, Florida 33566
Phone: 813-305-1415
Fax: 813-305-1419
www.gtgrandstands.com

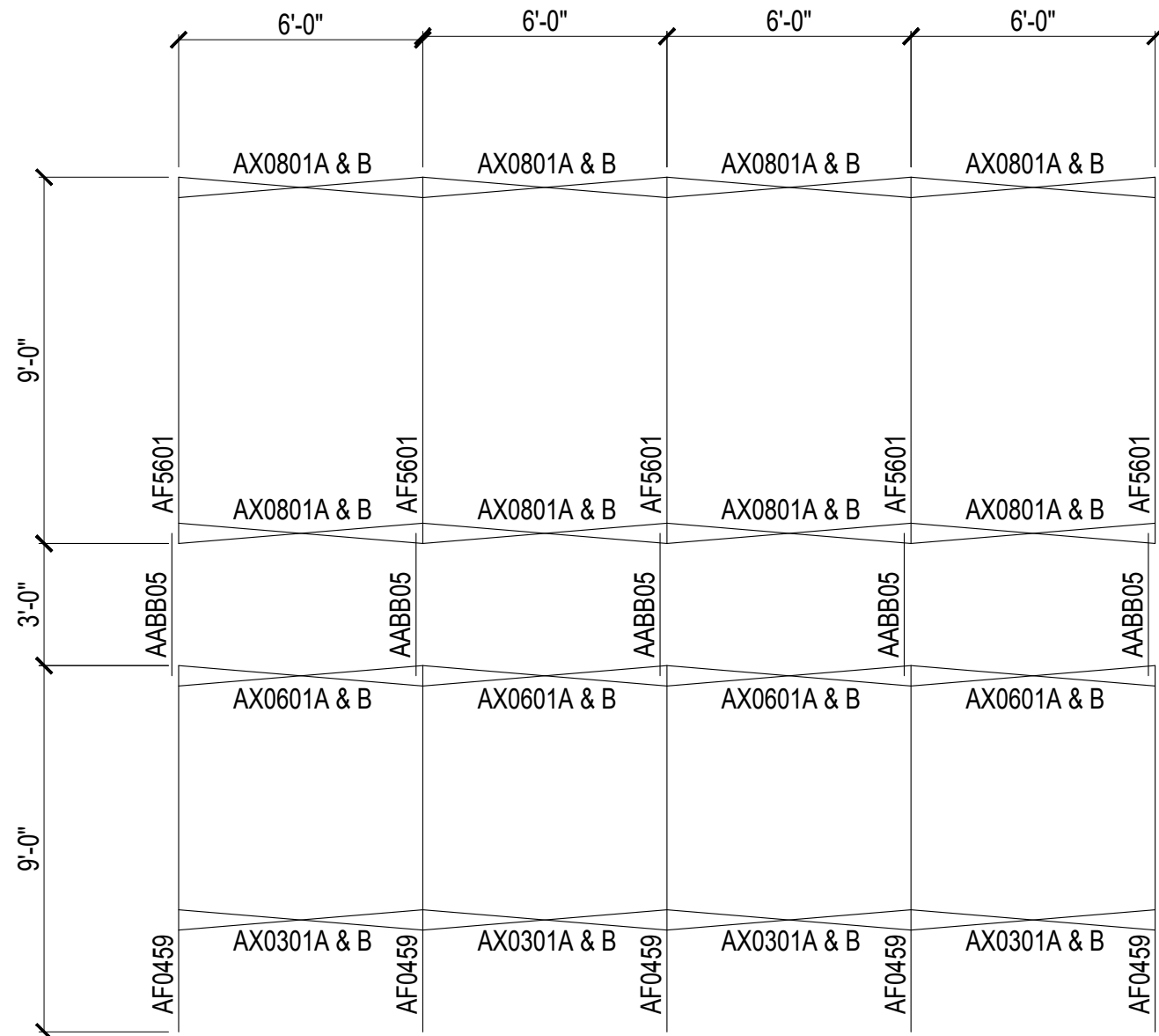


SECTION THRU SEATS
8 ROW
14" RISE / 36" TREAD

LT-08XXADV-A
LUXURY TREAD BLEACHER

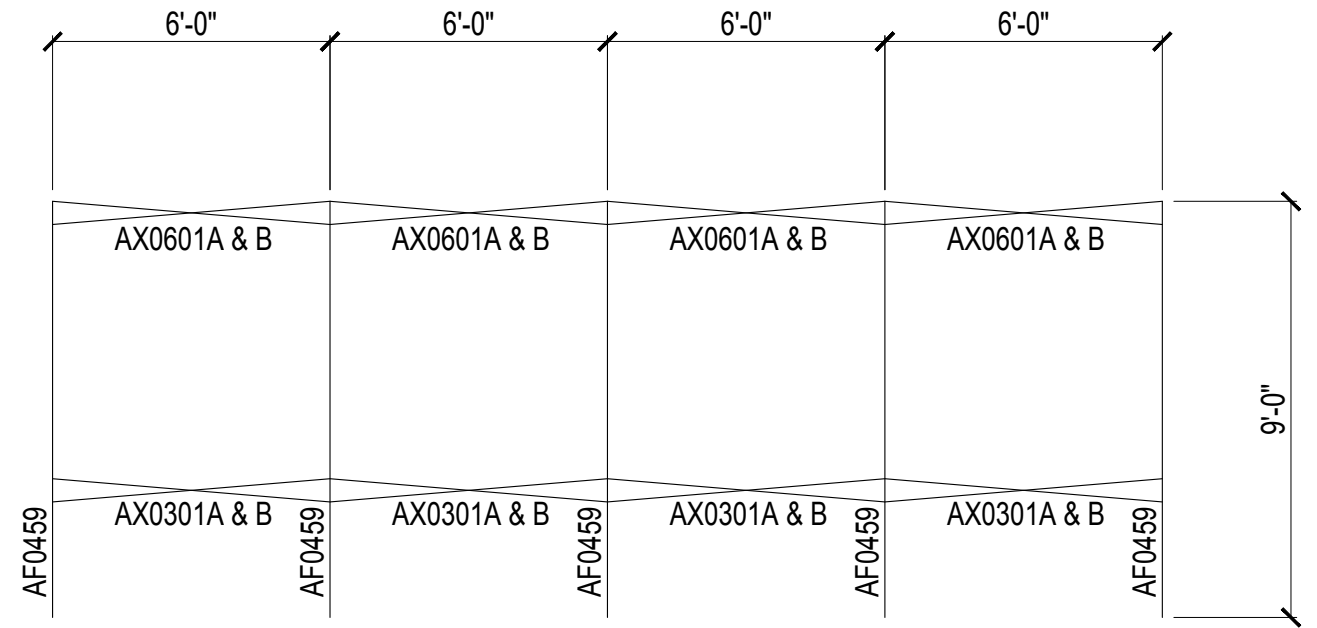
DRAWN BY
CHECKED BY
DATE
OCT 2010
SCALE
NOTED
JOB NO.

LT-08XXADV-A
DWG NO.



LOWER FRAMING PLAN

SCALE: 1/4" = 1'-0"

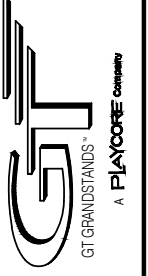


UPPER FRAMING PLAN

SCALE: 1/4" = 1'-0"

ALUMINUM "X" BRACING:

BRACING = ALUM. L1 1/2 x 1 1/2 x 3/16

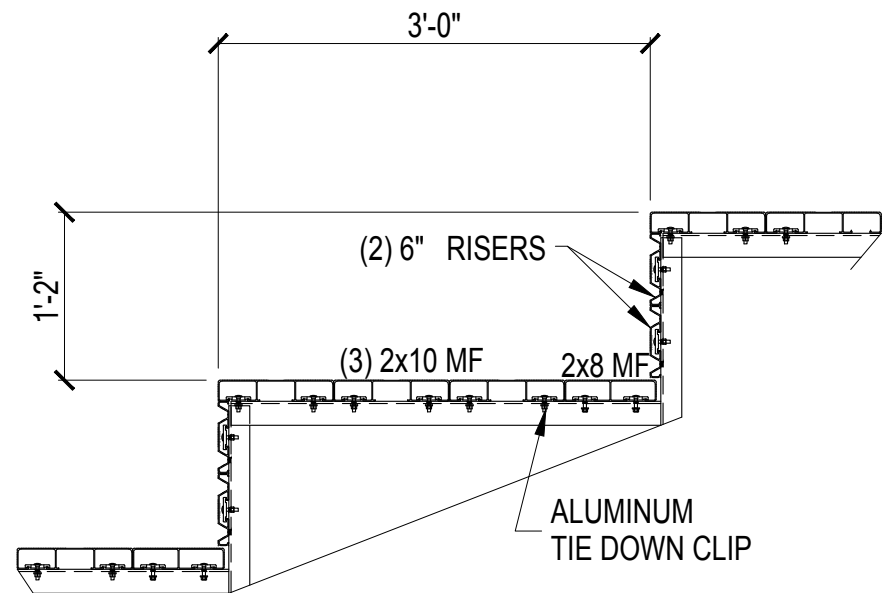


FRAMING LAYOUT
 8 ROW
 14" RISE / 36" TREAD

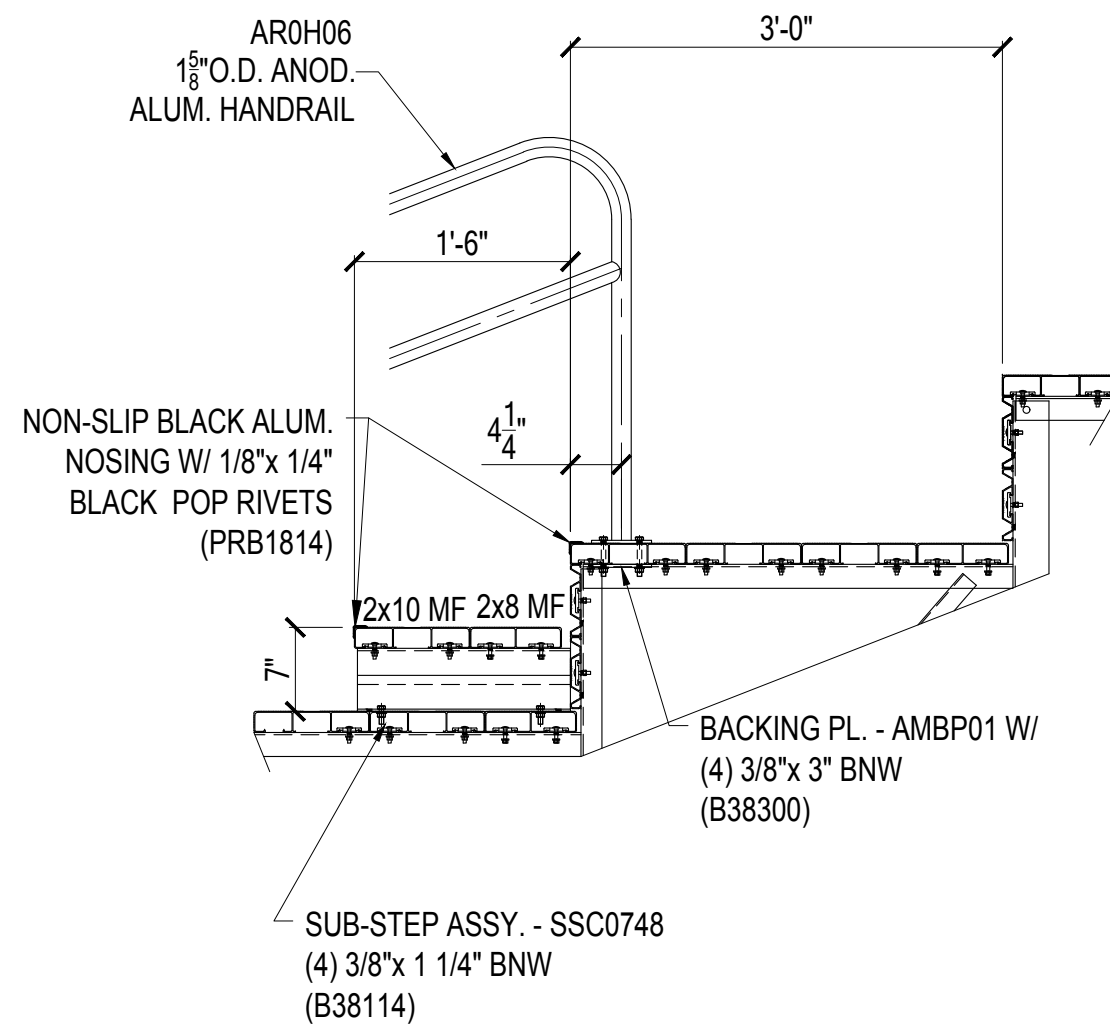
LT-0825ADV-A
 LUXURY TREAD BLEACHER

DRAWN BY
 CHECKED BY
 DATE
 OCT 2010
 SCALE
 NOTED
 JOB NO.

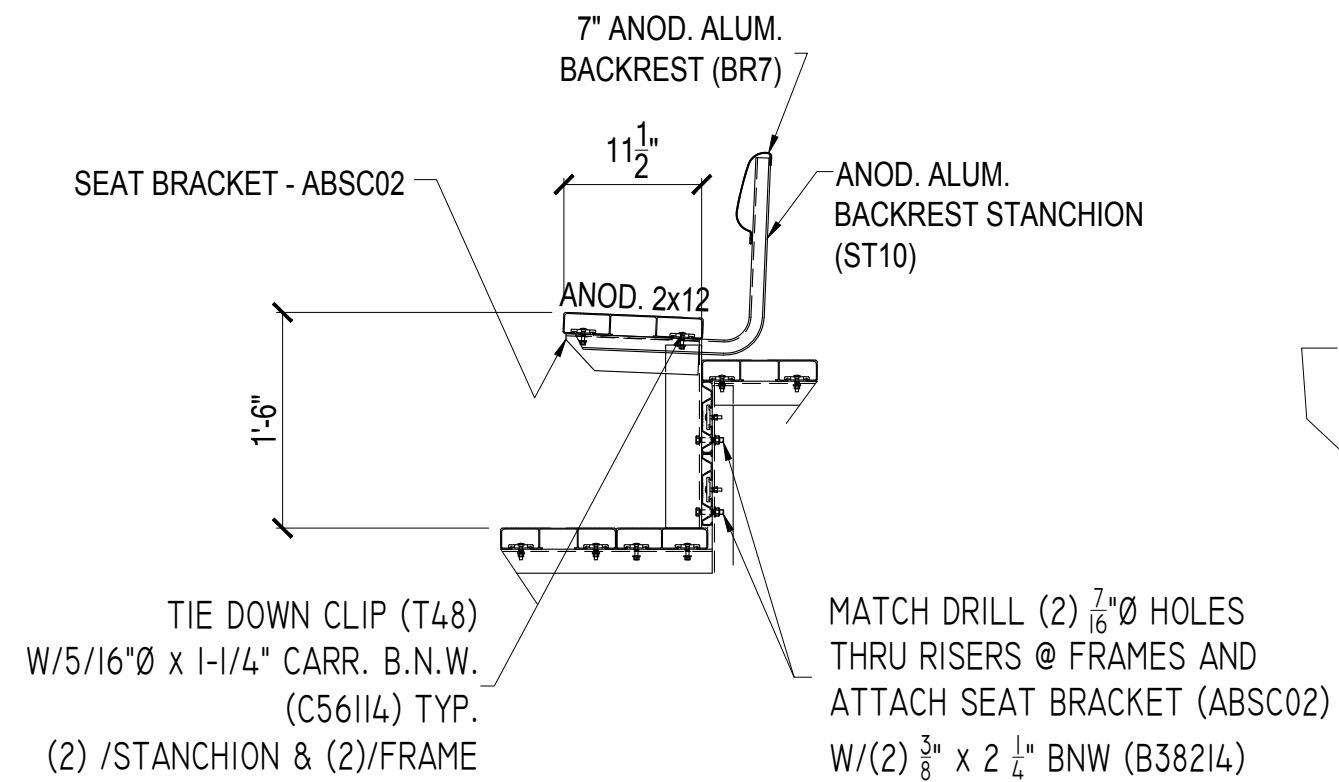
LT-0825ADV-A
 DWG NO.



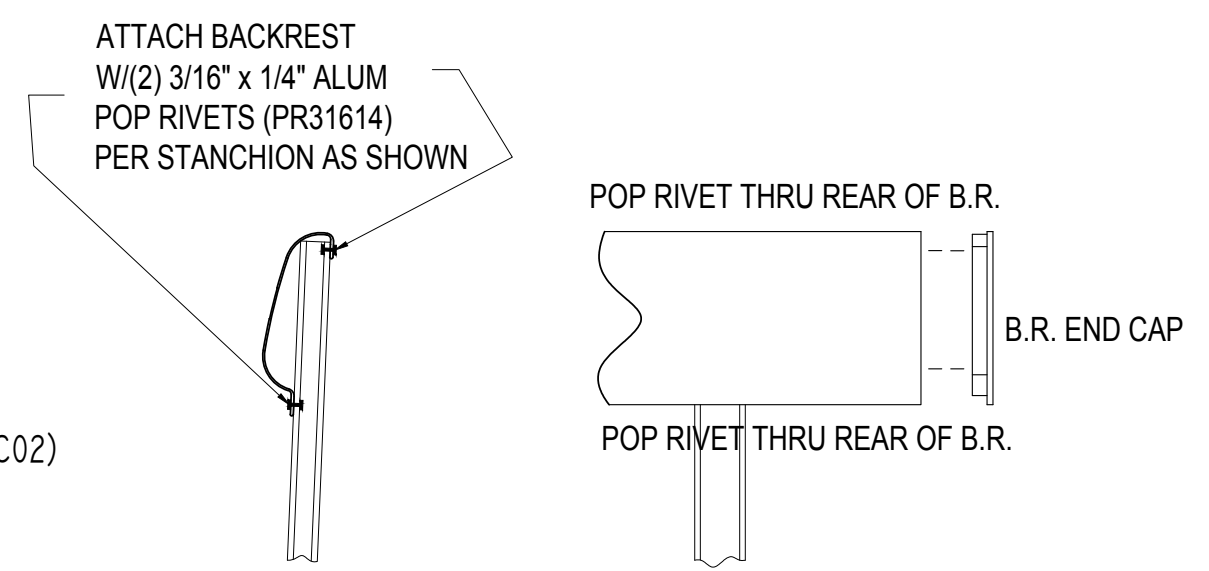
CONDITION @ SEATS



CONDITION @ AISLE



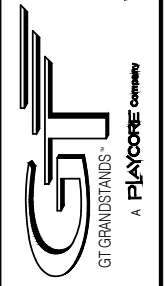
CONDITION @ SEAT



BACKREST & BACKREST END CAP CONNECTION DETAILS

PLANK CONFIGURATIONS

2810 Sydney Road
Plant City, Florida 33566
Phone: 813-305-1415
Fax: 813-305-1419
www.gtgrandstands.com

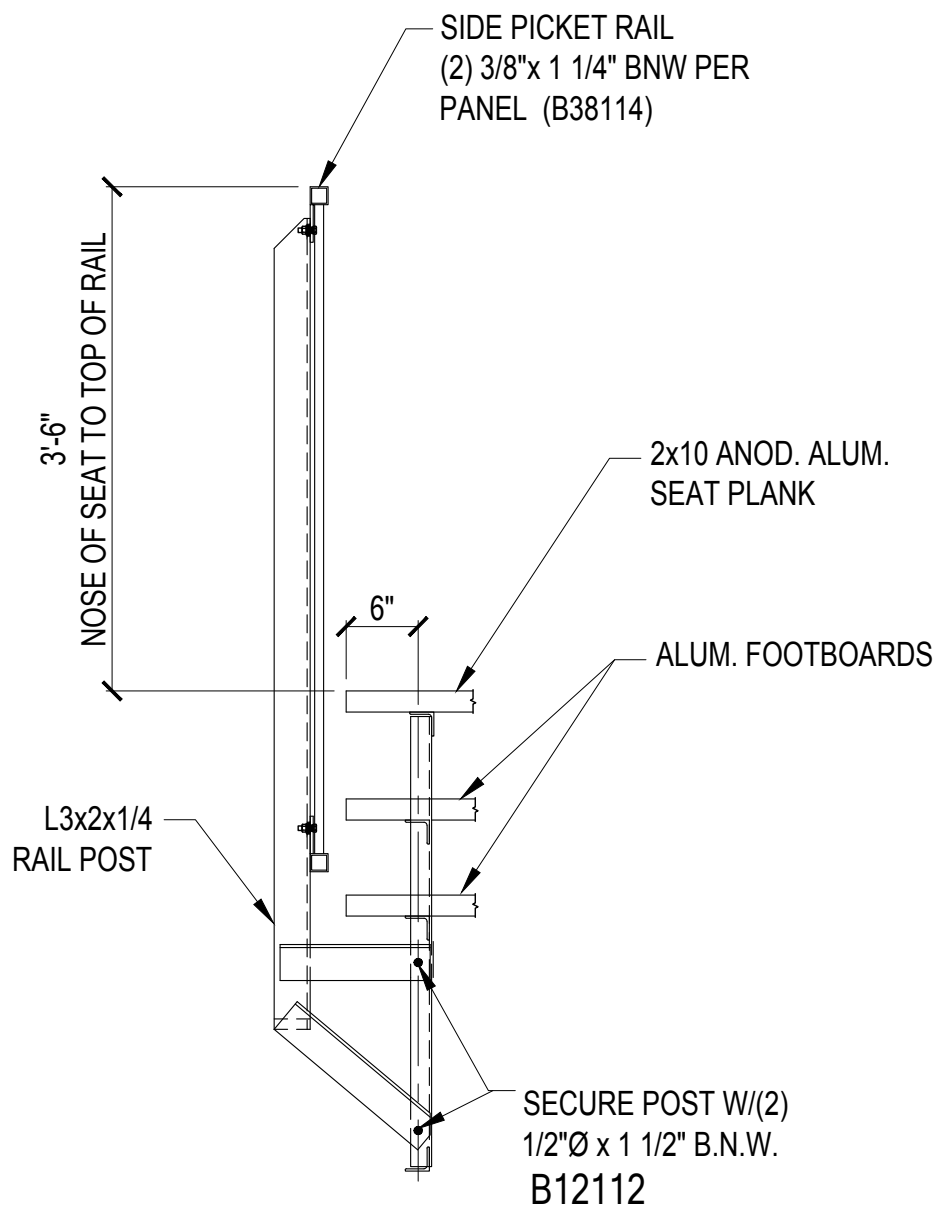


PLANK CONFIGURATIONS
8 ROW
14" RISE / 36" TREAD

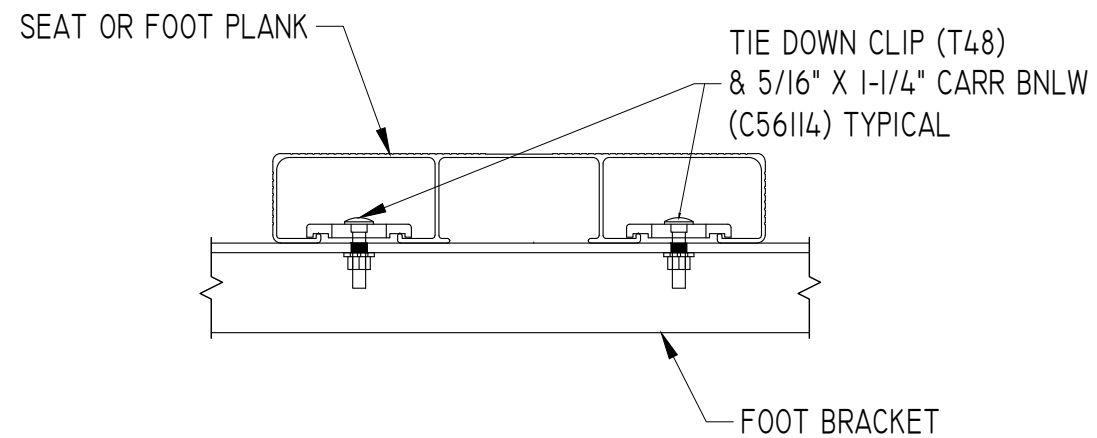
LT-08XXADV-A
LUXURY TREAD BLEACHER

DRAWN BY
CHECKED BY
DATE
OCT 2010
SCALE
NOTED
JOB NO.

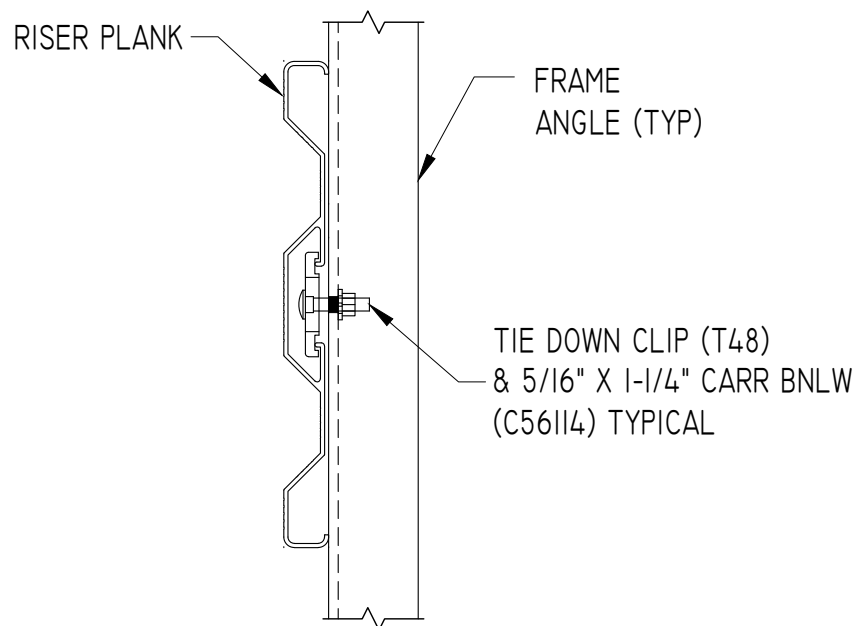
LT-08XXADV-A
DWG NO.



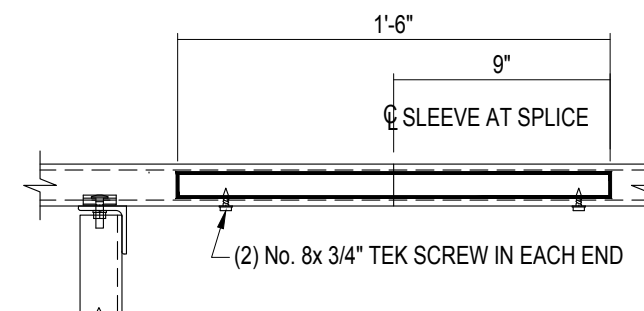
RAIL POST CONNECTION DETAIL



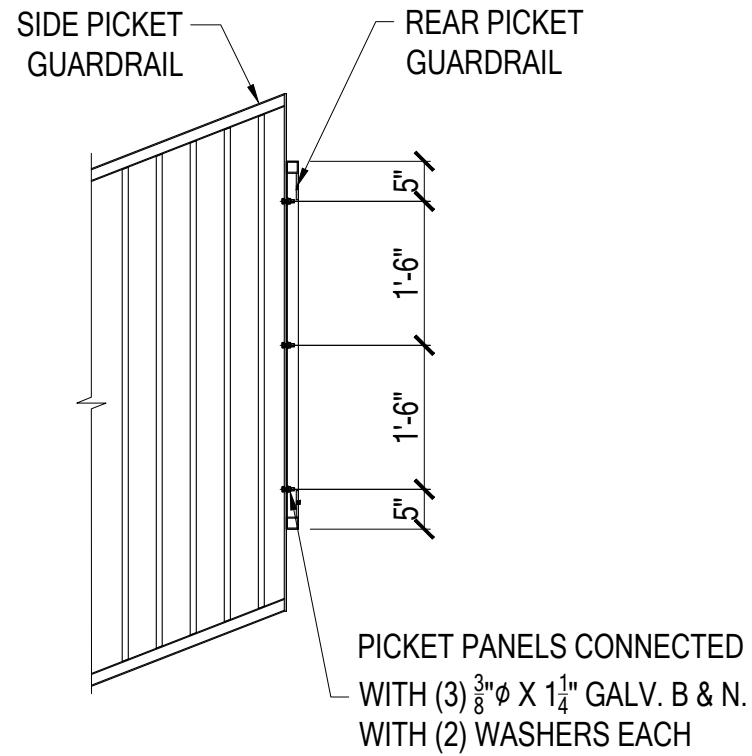
ALUMINUM PLANK DETAIL



RISER INSTALLATION DETAIL

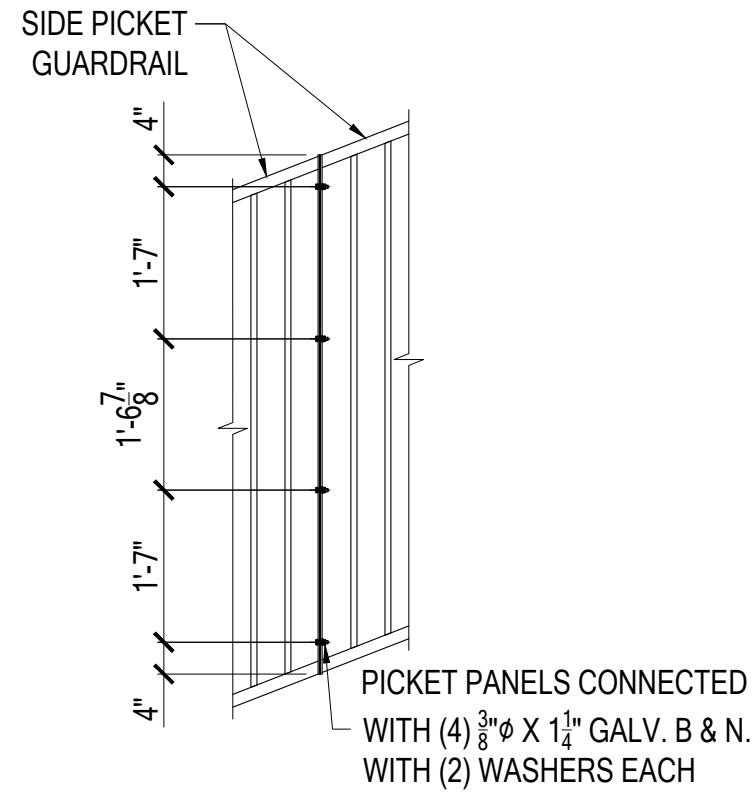


ALUMINUM SLEEVE DETAIL



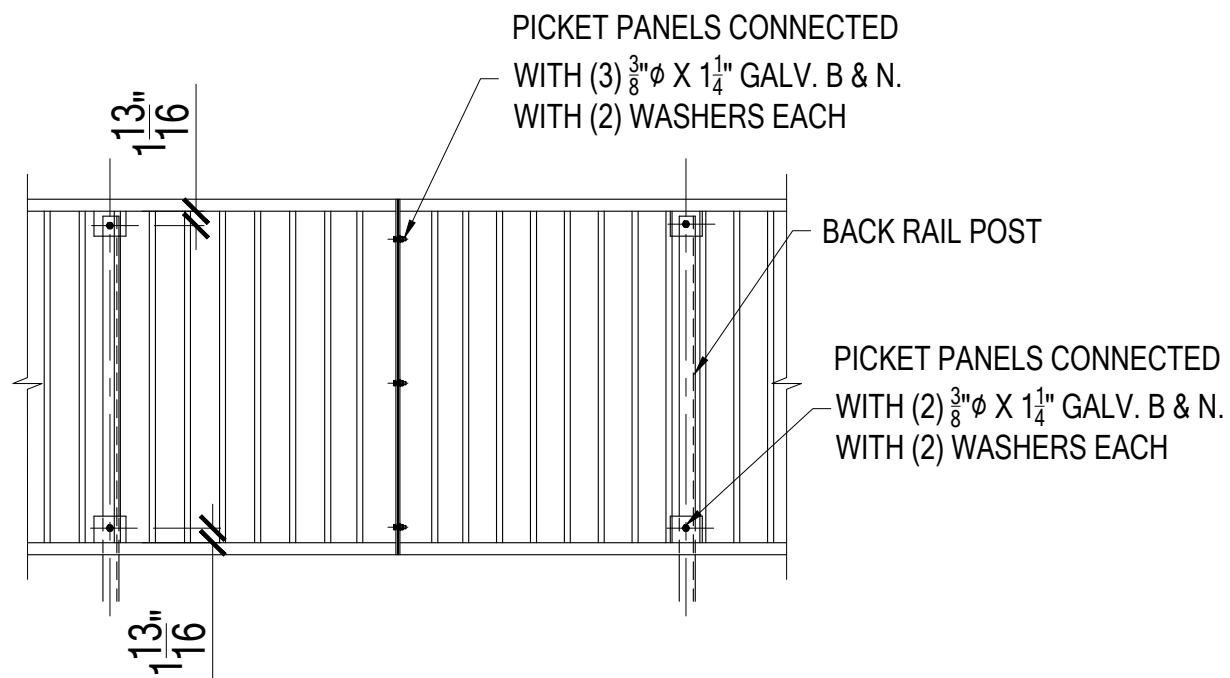
TYP SIDE/REAR PANEL CONNECTION

SCALE: 1/2"=1'-0"



TYP SIDE/SIDE PANEL CONNECTION (IF APPLICABLE)

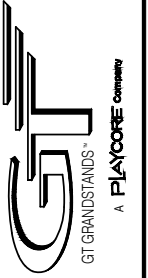
SCALE: 1/2"=1'-0"



TYP REAR PANEL CONNECTION

SCALE: 1/2"=1'-0"

2810 Sydney Road
Plant City, Florida 33566
Phone: 813-305-1415
Fax: 813-305-1419
www.gtgrandstands.com



PICKET DETAILS
8 ROW
14" RISE / 36" TREAD

LT-08xxADV-A
LUXURY TREAD BLEACHER

DRAWN BY
CHECKED BY
DATE
OCT 2010
SCALE
NOTED
JOB NO.

LT-08xxADV-A
DWG NO.