

**GENERAL NOTES:**

A SMOOTH, SOLID, LEVEL SURFACE IS RECOMMENDED FOR BEST BLEACHER INSTALLATION.

DEPENDING ON LOCAL SOIL CONDITIONS, YOU MAY POUR A CONCRETE SLAB OR ATTACH TO TREATED WOOD (2X6 MINIMUM) SILLS TO HELP KEEP THE BASE LEVEL.

BLEACHERS MAY NEED TO BE ANCHORED TO CONCRETE TO MEET WIND LOADS. PLEASE CONSULT WITH YOUR LOCAL CODE OFFICIALS.

REVIEW THESE DRAWINGS THOROUGHLY TO FAMILIARIZE YOURSELF WITH THE UNIT AND ITS COMPONENTS, PRIOR TO INSTALLATION.

DUE TO VARYING LOCAL CODE REQUIREMENTS, THIS UNIT MAY NOT INCLUDE ALL OF THE AVAILABLE FEATURES TO BE IN COMPLETE COMPLIANCE. CODE COMPLIANCE IS THE RESPONSIBILITY OF THE PURCHASER.

THESE BLEACHERS HAVE BEEN DESIGNED TO MEET OR EXCEED INDUSTRY STANDARDS.

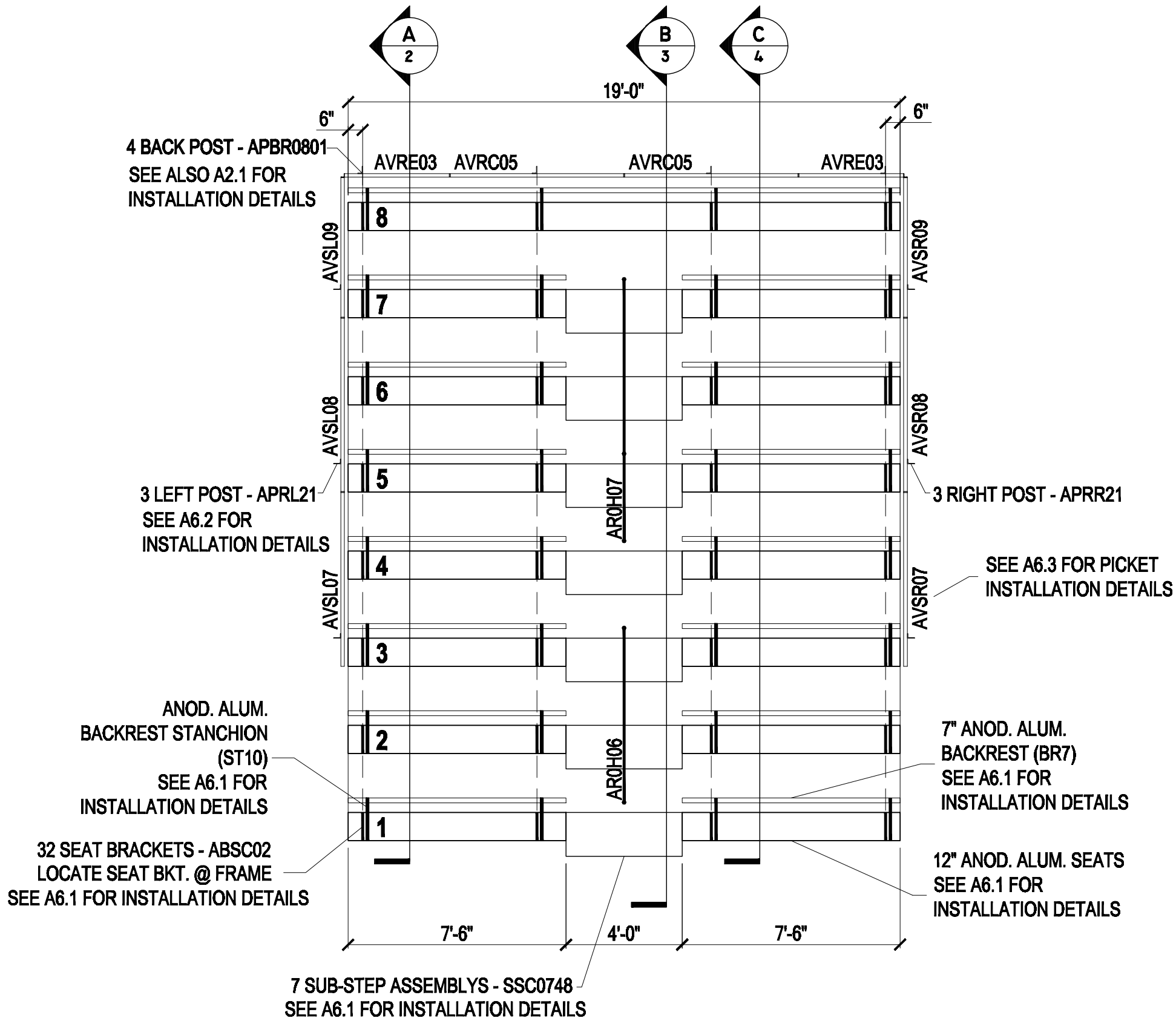
**ASSEMBLY NOTES:**

X-BRACING IS SHIPPED IN UNASSEMBLED, EACH X-BRACE CONSISTS OF AN ANGLE WITH NOTCHED ENDS AND ONE WITHOUT NOTCHED ENDS. ATTACH X-BRACES TOGETHER USING 3 /8" X 1-1 /4" BOLT, NUT, AND WASHER AT CENTER HOLE. ATTACH ANGLE FLAT SIDE TO FLAT SIDE.

USE X-BRACING AND BOLT-ON FOOT BRACKET TO SET SPACING OF FRAMES.

REFER TO DETAILS FOR ATTACHMENT OF EACH COMPONENT.

ATTACH RAIL POST INITIALLY USING SNUG-TIGHT BOLTS TO ALLOW FOR PLUMBING POSTS DURING INSTALLATION OF GUARDRAIL SYSTEM. TIGHTEN DOWN ALL BOLTS AFTER COMPONENTS ARE PLUMB.



**SEATING PLAN**  
SCALE: 1/4" = 1'-0"  
82 SEATS

**ALUM. FRAME ANGLE SIZES:**

Verticals = 1 3/4 x 1 3/4 x 3/16  
 Tread Horizontals = 3 x 2 x 3/16  
 All Diagonals = 1 1/2 x 1 1/2 x 3/16  
 Row 4 Vert. = 3 x 2 x 3/16

**ALUM. BOX FRAME ANGLE SIZES:**

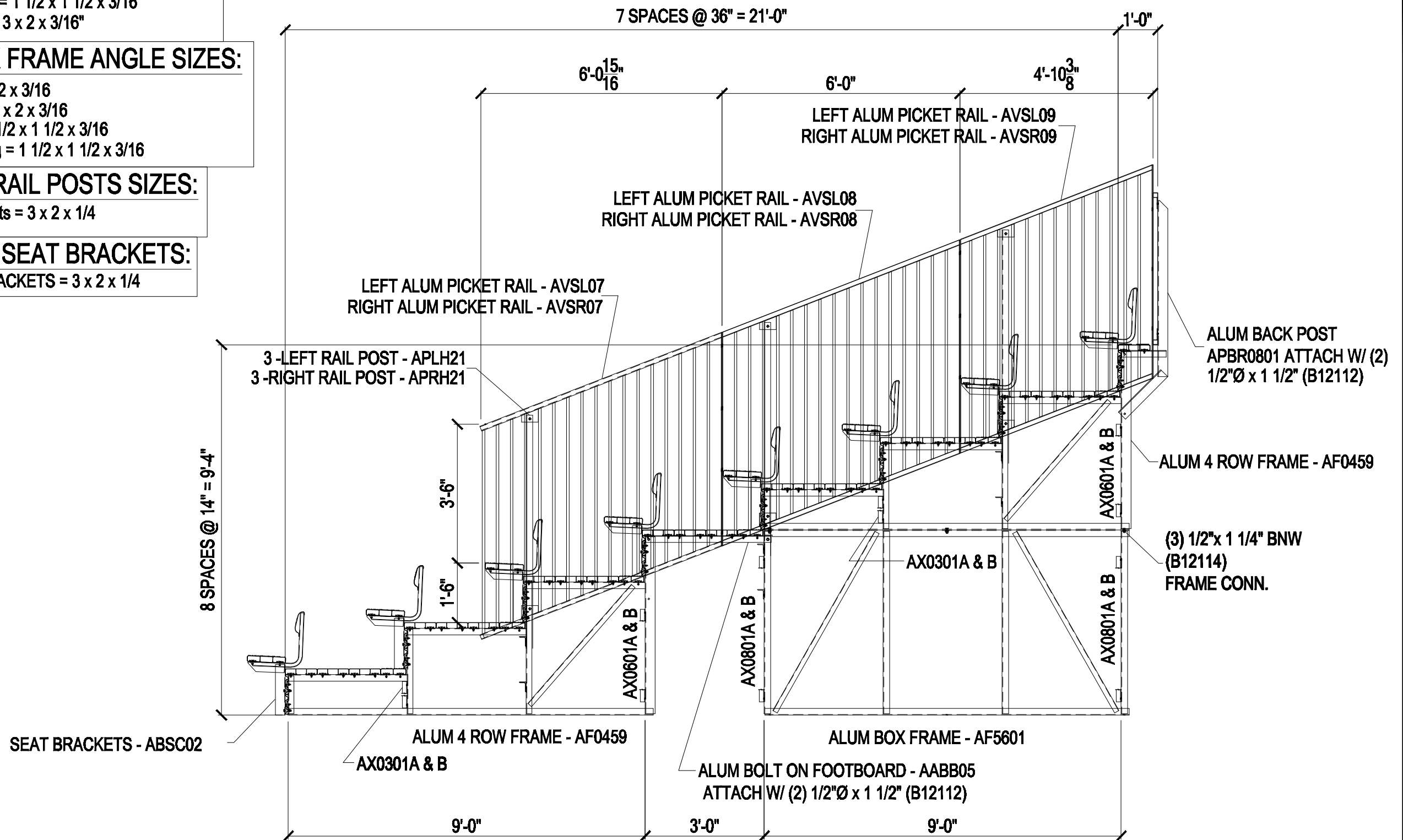
All Verticals = 2 x 2 x 3/16  
 All Horizontals = 2 x 2 x 3/16  
 All Diagonals = 1 1/2 x 1 1/2 x 3/16  
 All Bolt-on Bracing = 1 1/2 x 1 1/2 x 3/16

**ALUM RAIL POSTS SIZES:**

All Rail Posts = 3 x 2 x 1/4

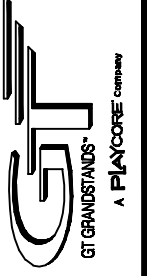
**ALUM SEAT BRACKETS:**

SEAT BRACKETS = 3 x 2 x 1/4



**SECTION A**  
 3/8" = 1'-0"

2810 Sydney Road  
 Plant City, Florida 33566  
 Phone: 813-305-1415  
 Fax: 813-305-1419  
 www.gtgrandstands.com

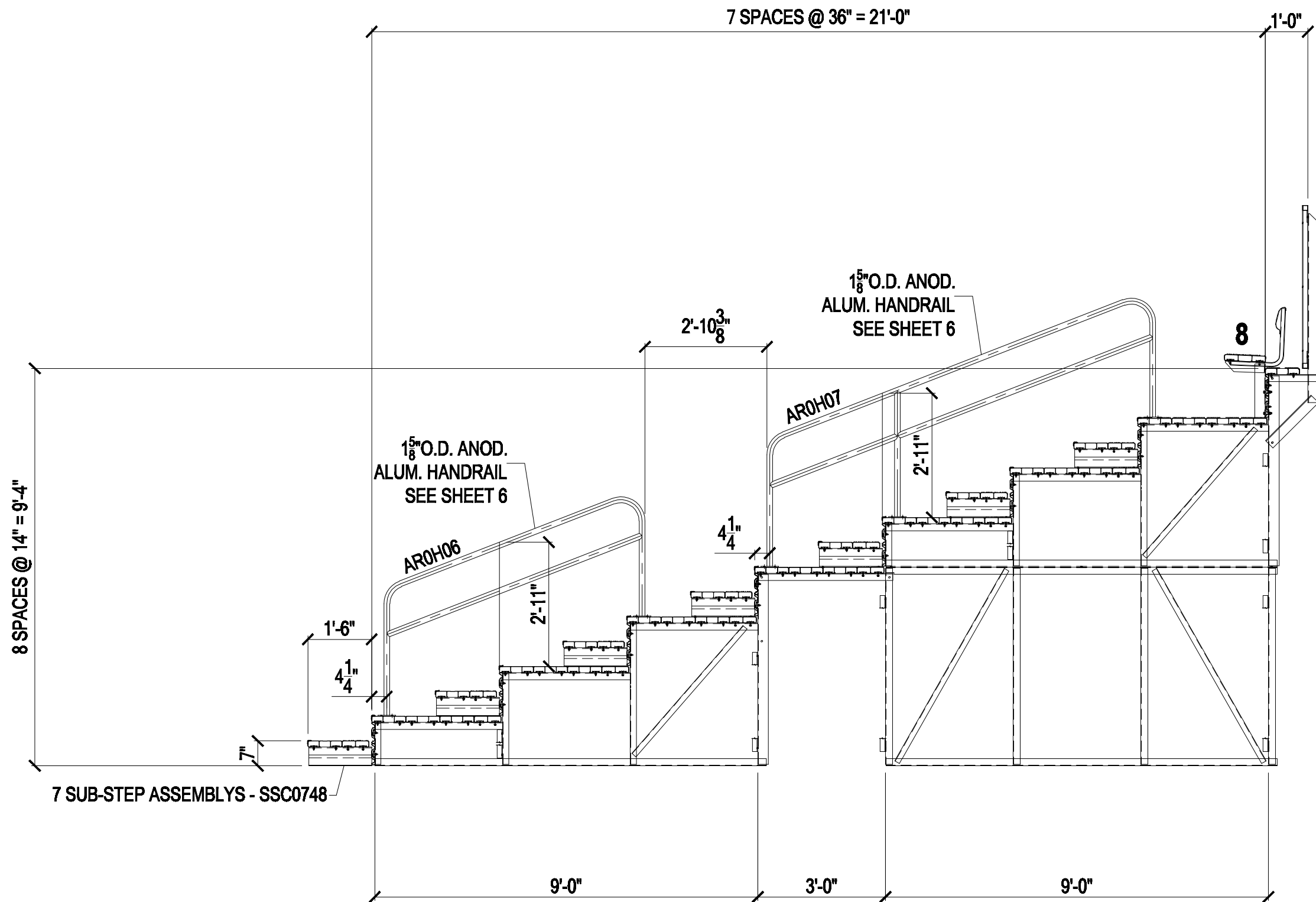


SECTION THRU END OF STAND  
 8 ROW  
 14" RISE / 36" TREAD

LT-08XXADV-A  
 LUXURY TREAD BLEACHER

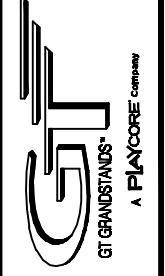
DRAWN BY  
 CHECKED BY  
 DATE  
 OCT 2010  
 SCALE  
 NOTED  
 JOB NO.

LT-08XXADV-A  
 DWG NO.



**SECTION B**  
 3/8" = 1'-0"

2810 Sydney Road  
 Plant City, Florida 39566  
 Phone: 813-305-1415  
 Fax: 813-305-1419  
 www.gtgrandstands.com

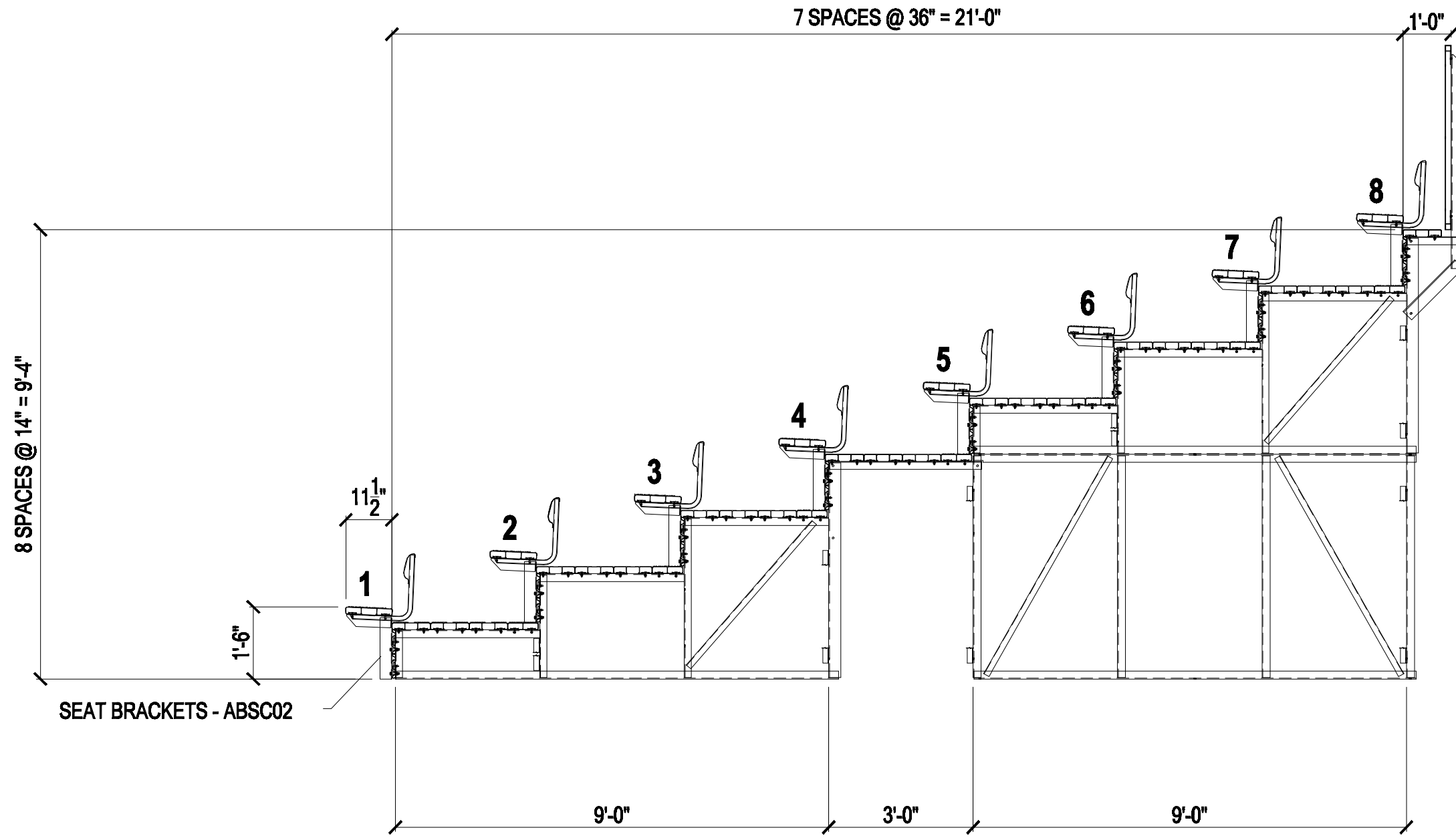


SECTION THRU AISLE  
 8 ROW  
 14" RISE / 36" TREAD

LT-08XXADV-A  
 LUXURY TREAD BLEACHER

DRAWN BY  
 CHECKED BY  
 DATE  
 OCT 2010  
 SCALE  
 NOTED  
 JOB NO.

LT-08XXADV-A  
 DWG NO.



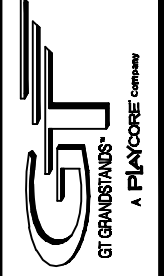
8 SPACES @ 14" = 9'-4"

7 SPACES @ 36" = 21'-0"

SEAT BRACKETS - ABSC02

SECTION C  
3/8" = 1'-0"

2810 Sydney Road  
Plant City, Florida 33566  
Phone: 813-305-1415  
Fax: 813-305-1419  
www.gtgrandstands.com



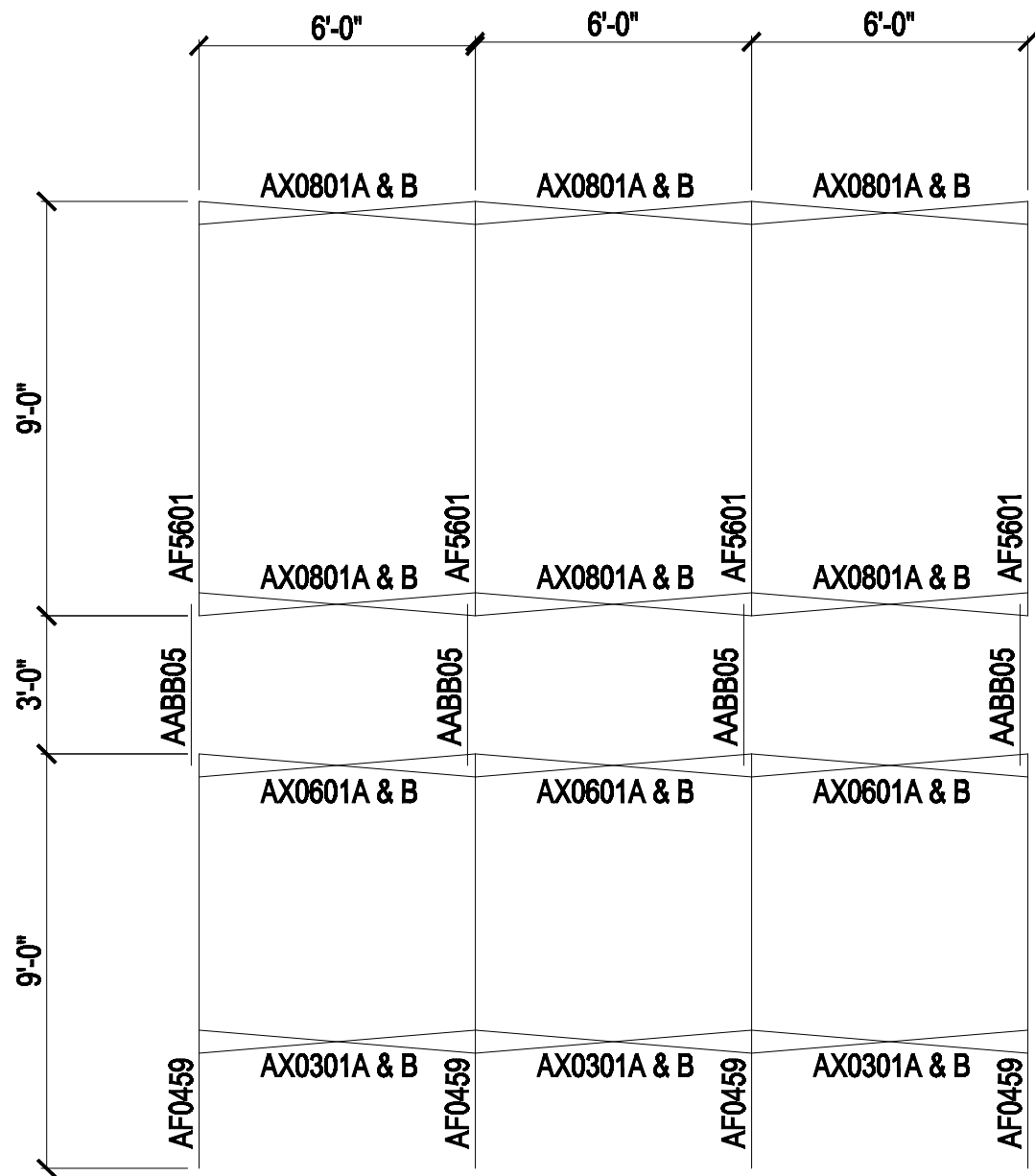
SECTION THRU SEATS  
8 ROW  
14" RISE / 36" TREAD

LT-08XXADV-A  
LUXURY TREAD BLEACHER

DRAWN BY  
CHECKED BY  
DATE  
OCT 2010  
SCALE  
NOTED  
JOB NO.

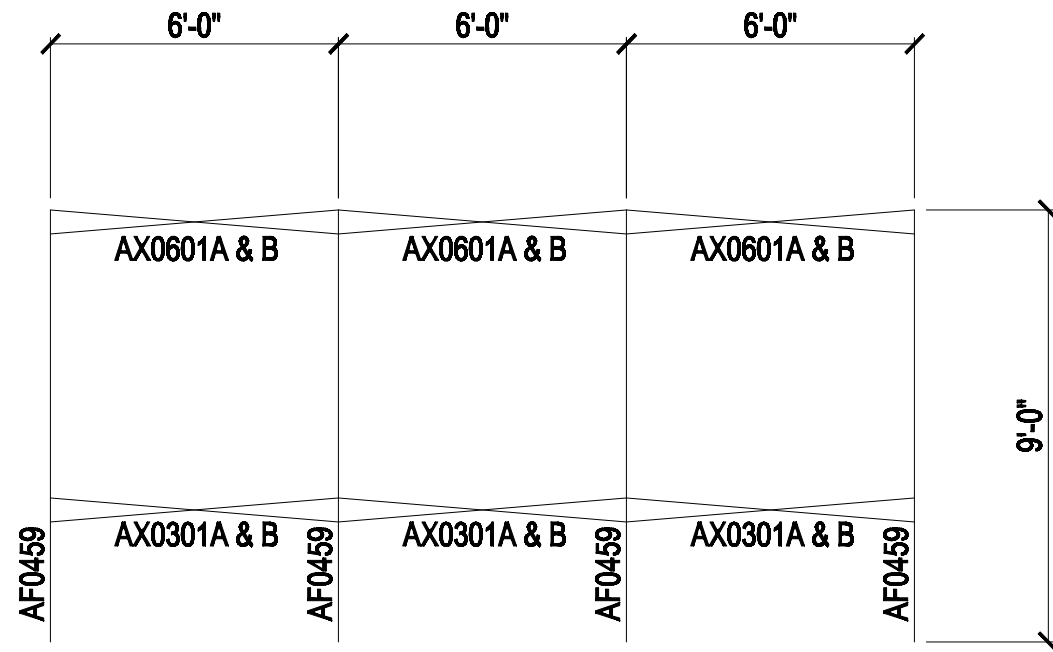
LT-08XXADV-A  
DWG NO.

4 OF 8



**LOWER FRAMING PLAN**

SCALE: 1/4" = 1'-0"



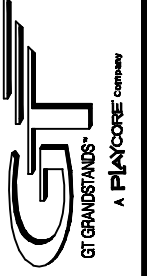
**UPPER FRAMING PLAN**

SCALE: 1/4" = 1'-0"

**ALUMINUM "X" BRACING:**

BRACING = ALUM. L1 1/2 x 1 1/2 x 3/16

2810 Sydney Road  
Plant City, Florida 33566  
Phone: 813-305-1415  
Fax: 813-305-1419  
www.gtgrandstands.com

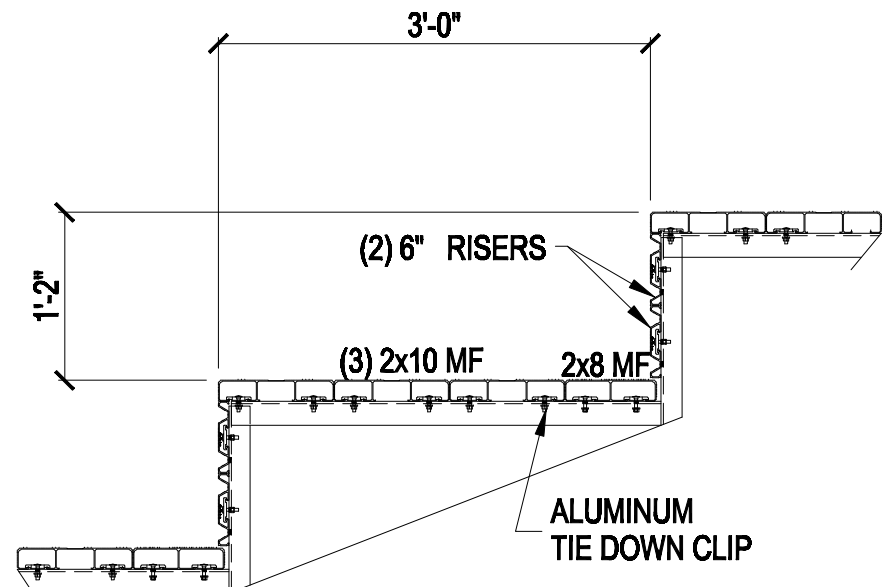


FRAMING LAYOUT  
8 ROW  
14" RISE / 36" TREAD

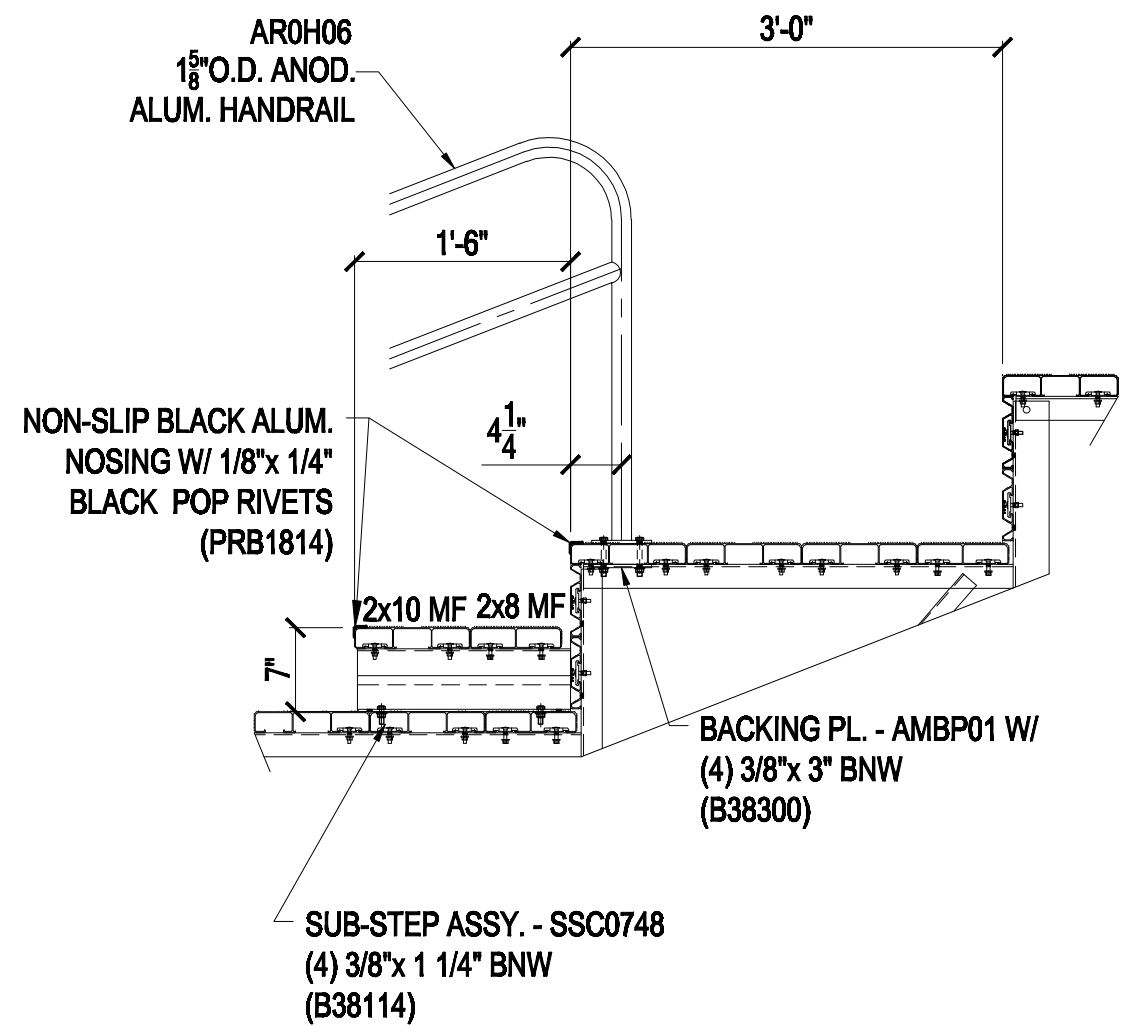
LT-0819ADV-A  
LUXURY TREAD BLEACHER

DRAWN BY  
CHECKED BY  
DATE  
OCT 2010  
SCALE  
NOTED  
JOB NO.

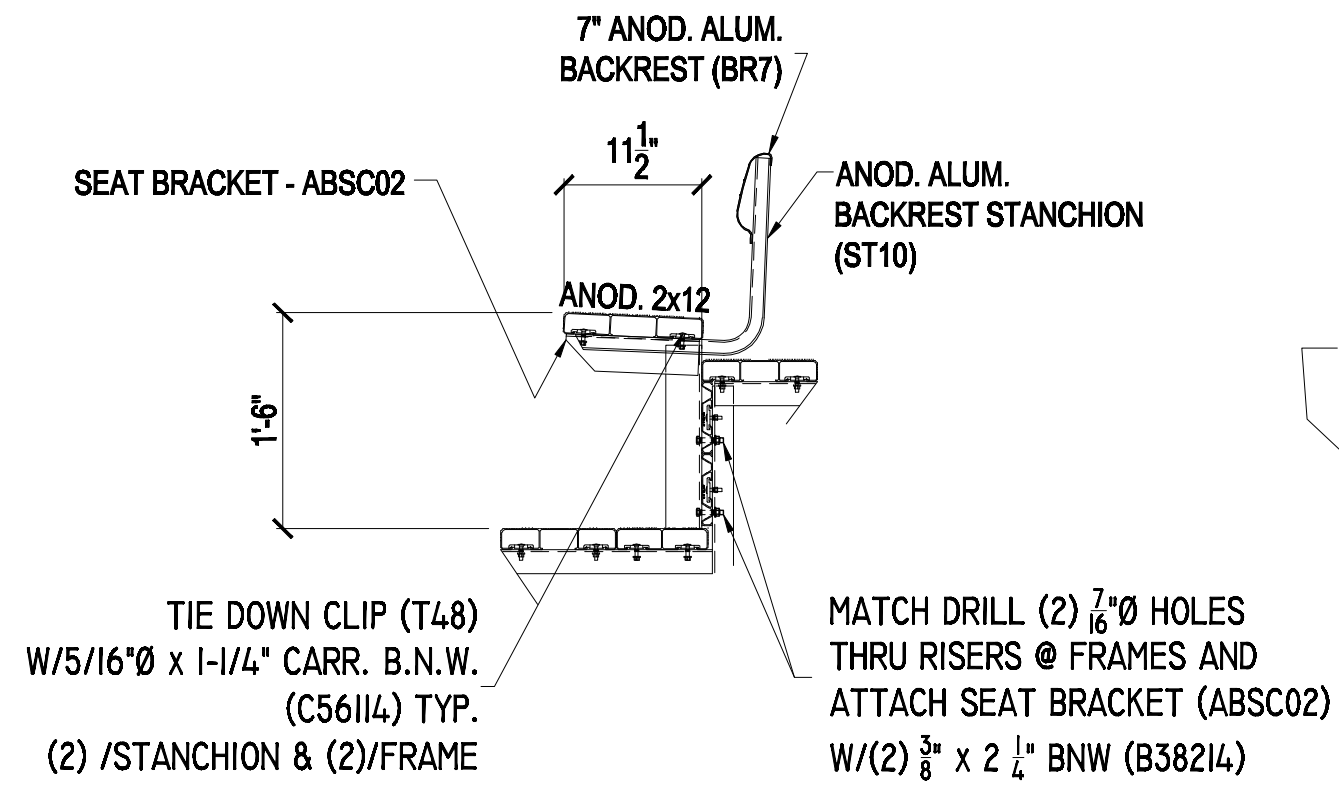
LT-0819ADV-A  
DWG NO.



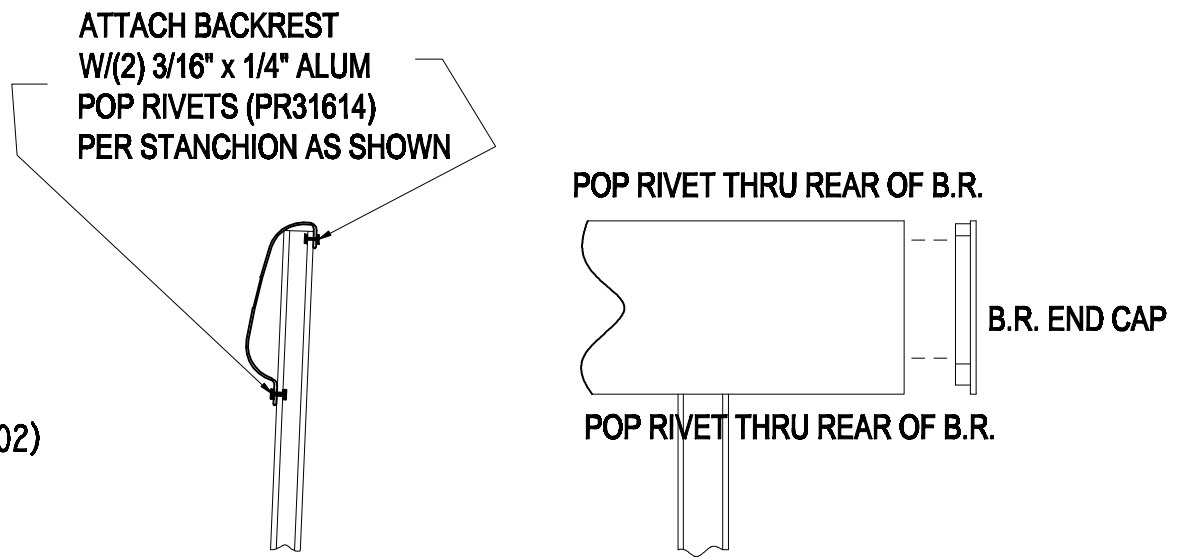
CONDITION @ SEATS



CONDITION @ AISLE



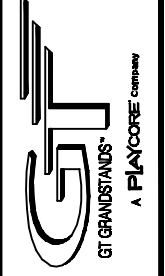
CONDITION @ SEAT



BACKREST & BACKREST END CAP CONNECTION DETAILS

**PLANK CONFIGURATIONS**

2810 Sydney Road  
Plant City, Florida 33566  
Phone: 813-305-1415  
Fax: 813-305-1419  
www.gtgrandstands.com

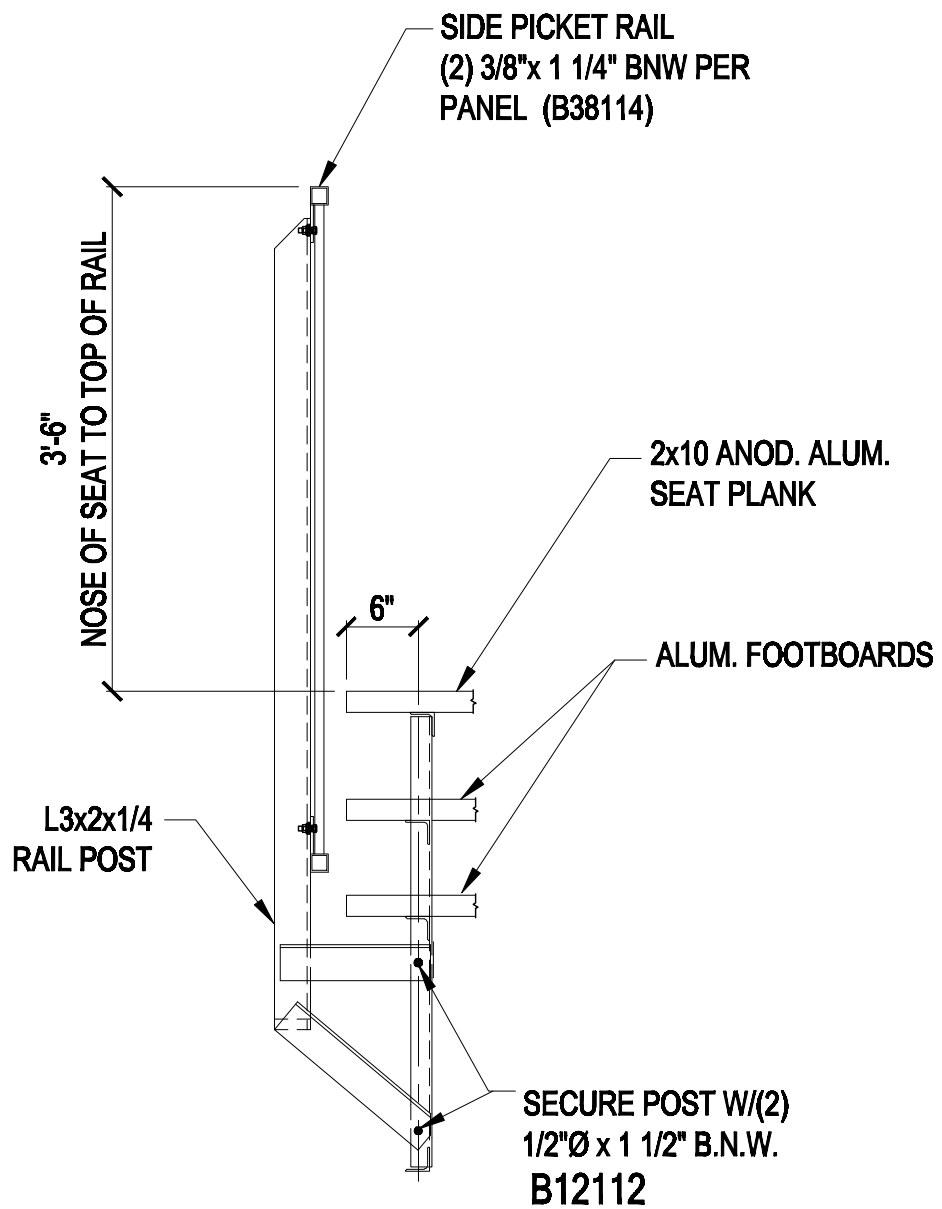


PLANK CONFIGURATIONS  
8 ROW  
14" RISE / 36" TREAD

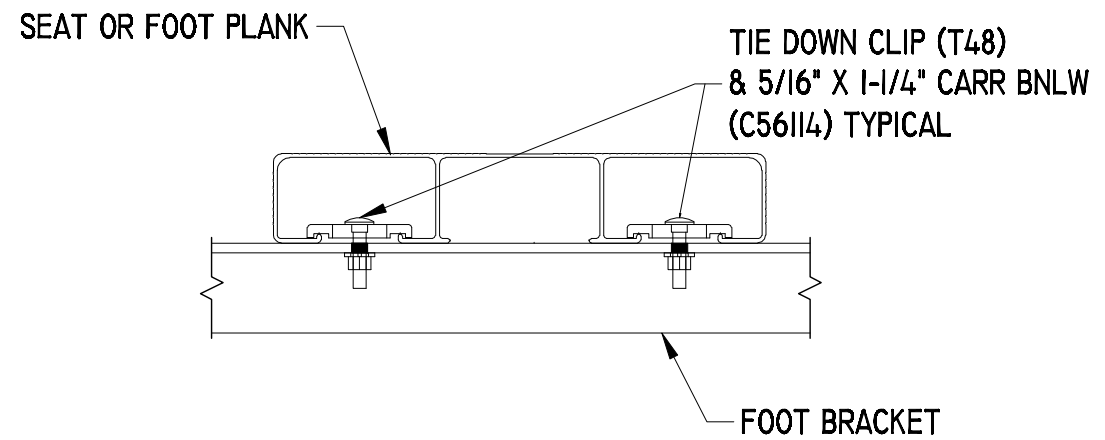
LT-08XXADV-A  
LUXURY TREAD BLEACHER

DRAWN BY  
CHECKED BY  
DATE  
OCT 2010  
SCALE  
NOTED  
JOB NO.

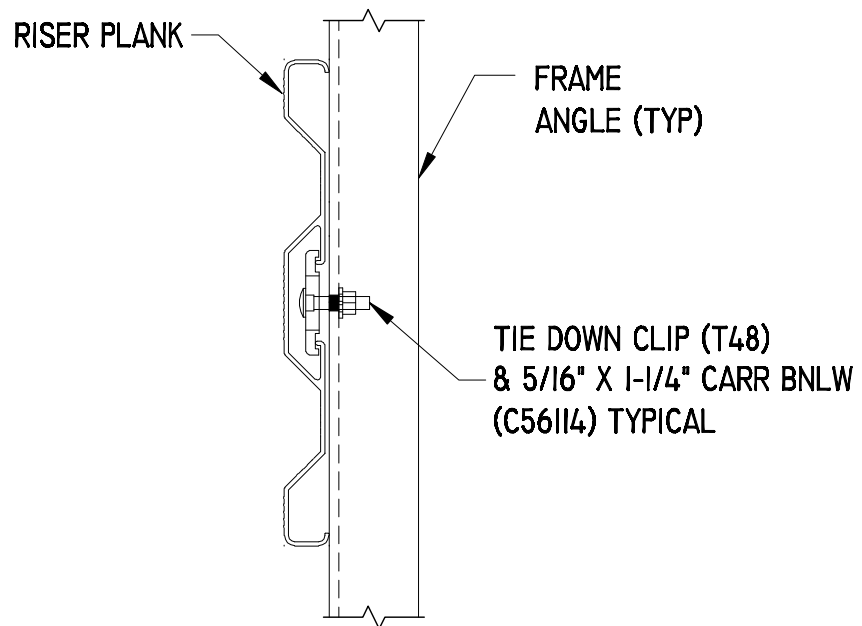
LT-08XXADV-A  
DWG NO.



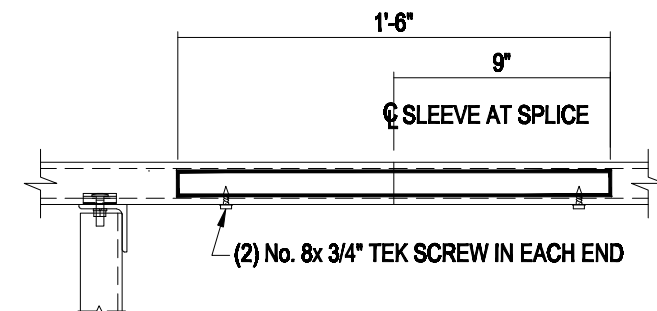
**RAIL POST CONNECTION DETAIL**



**ALUMINUM PLANK DETAIL**

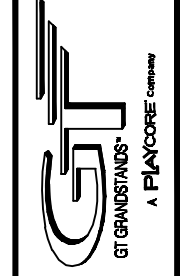


**RISER INSTALLATION DETAIL**



**ALUMINUM SLEEVE DETAIL**

2810 Sydney Road  
 Plant City, Florida 33566  
 Phone: 813-305-1415  
 Fax: 813-305-1419  
 WWW: gtgrandstands.com

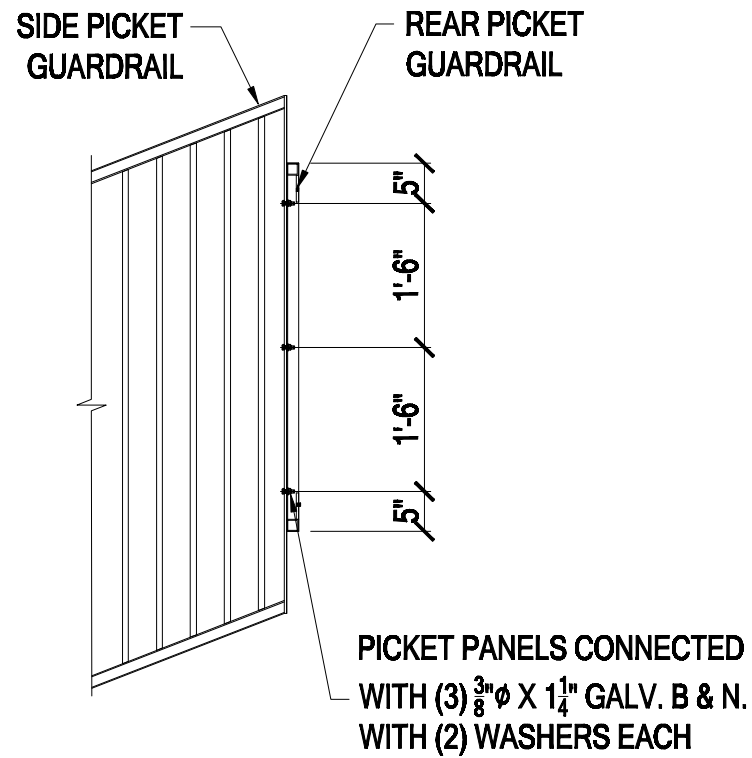


TYPICAL DETAILS  
 8 ROW  
 14" RISE / 36" TREAD

LT-08XXADV-A  
 LUXURY TREAD BLEACHER

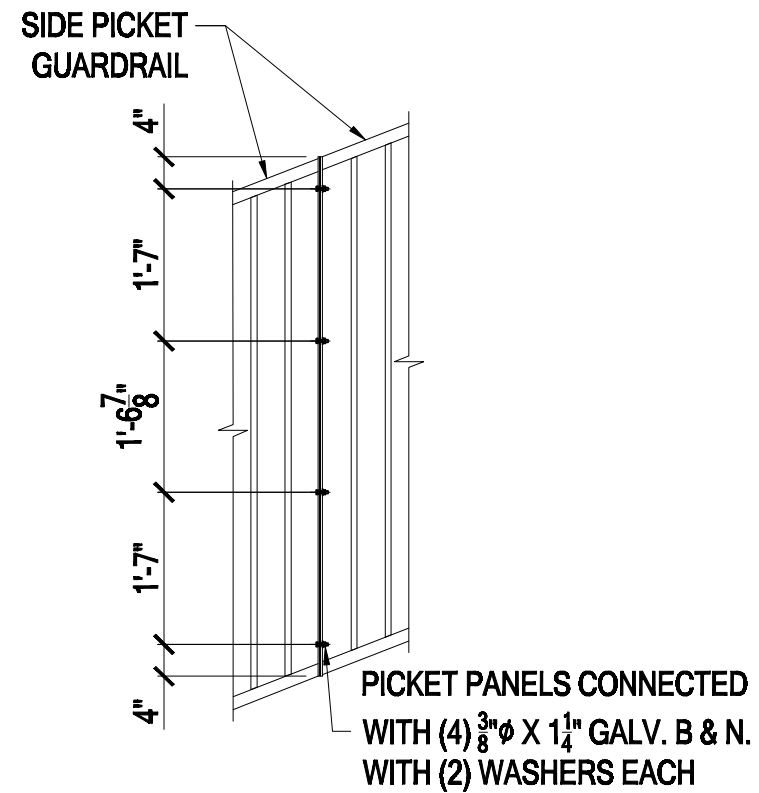
DRAWN BY  
 CHECKED BY  
 DATE  
 OCT 2010  
 SCALE  
 NOTED  
 JOB NO.

LT-08XXADV-A  
 DWG NO.



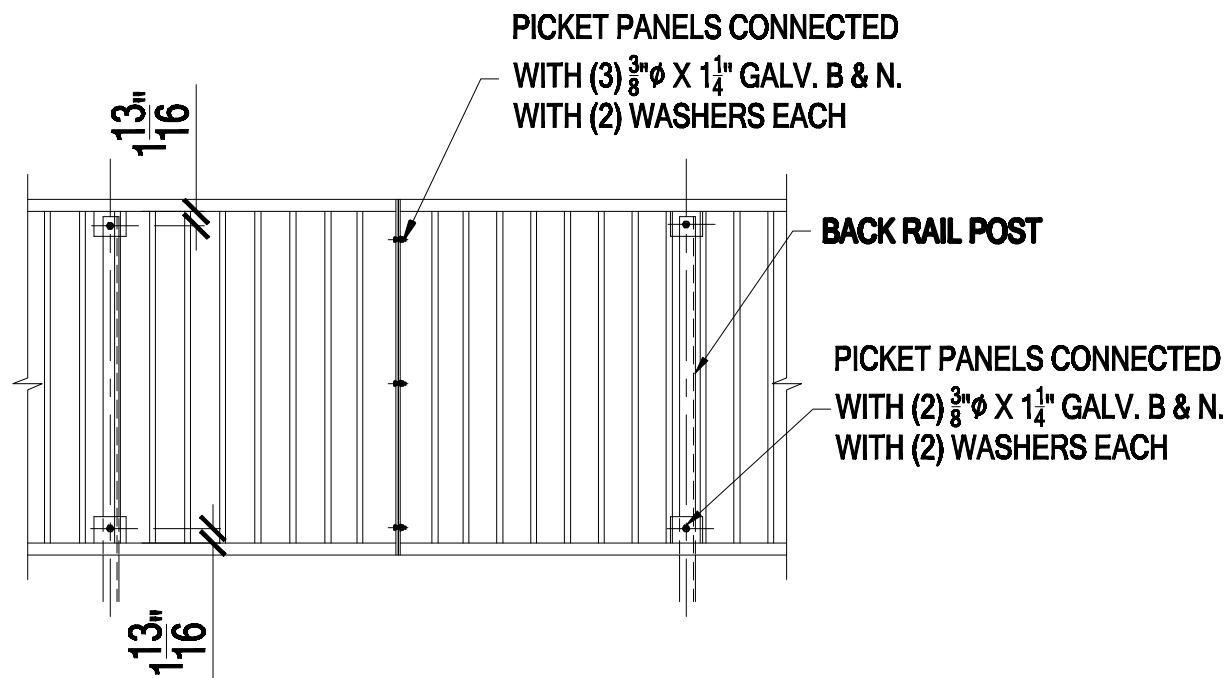
**TYP SIDE/REAR PANEL CONNECTION**

SCALE: 1/2"=1'-0"



**TYP SIDE/SIDE PANEL CONNECTION (IF APPLICABLE)**

SCALE: 1/2"=1'-0"



**TYP REAR PANEL CONNECTION**

SCALE: 1/2"=1'-0"