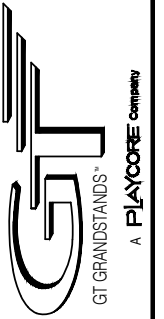


GS-1027ADV-A

NON ELEVATED 10 ROW x 27'-0" BLEACHER



2810 Sydney Road
Plant City, Florida 33566
Phone: 813-305-1415
Fax: 813-305-1419
www.gtgrandstands.com



COVER SHEET
10 ROW BLEACHER
8" RISE / 10" SEAT

GS-1027ADC-A
OPTIONAL -MS (MUD SILL)

- CS.1 – COVER SHEET
- TD.1 – BLEACHER SEATING PLAN
- FP.1 – FOUNDATION PLAN
- BA.1 – BLEACHER FRAMING & CLIP PRE-ASSEMBLY
- BA.2 – BLEACHER BRACING LOCATION PLAN
- BA.3 – BLEACHER ASSEMBLY
- AP.1 – ANCHORING PLAN
- PF.1 – PLANK & FRAMING PLAN
- VA.1 – VERTICAL AISLE ASSEMBLY
- GR.1 – GUARDRAIL ASSEMBLY

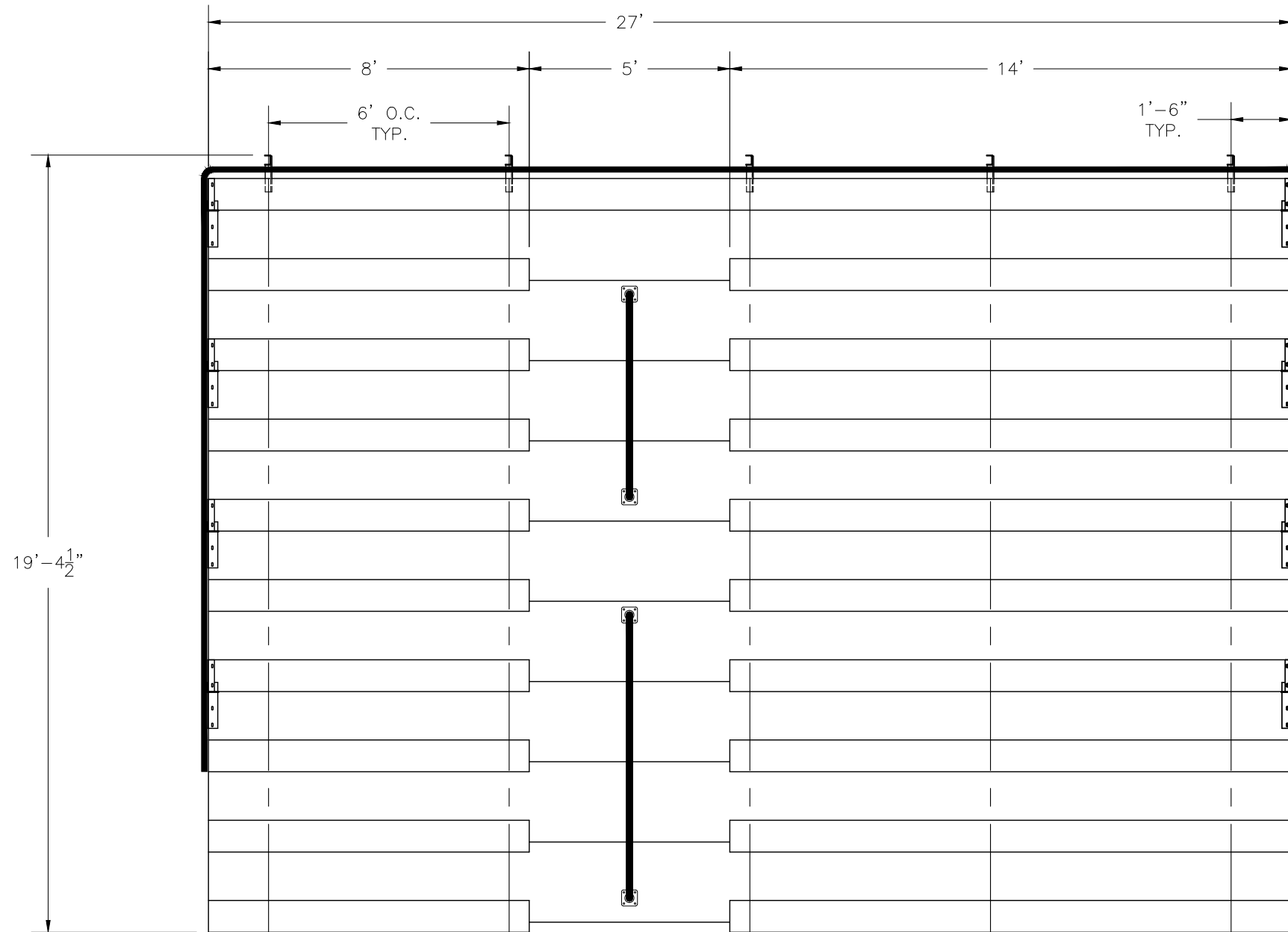
DRAWN BY
MME
CHECKED BY
TLC
DATE
12/01/2016
SCALE

JOB NO.

GS-1027ADC-A

DWG NO.

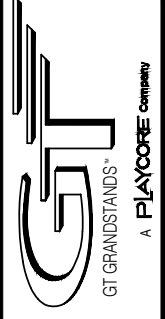
CS.1



SECTION LENGTH	GROSS SEATS	ACTUAL SEATS	NO. OF ROWS	NET SEATS
27	18.00	18.00	1	18
8	5.33	5.00	9	45
14	9.33	9.00	9	81
NET SEATS				144
WHEELCHAIR SPACES				0
TOTAL NET SEATING CAPACITY				144
(BASED ON 18" PER SEAT)				



2810 Sydney Road
 Plant City, Florida 33566
 Phone: 813-305-1415
 Fax: 813-305-1419
 www.gtgrandstands.com



SEATING PLAN
 10 ROW BLEACHER
 8" RISE / 10" SEAT

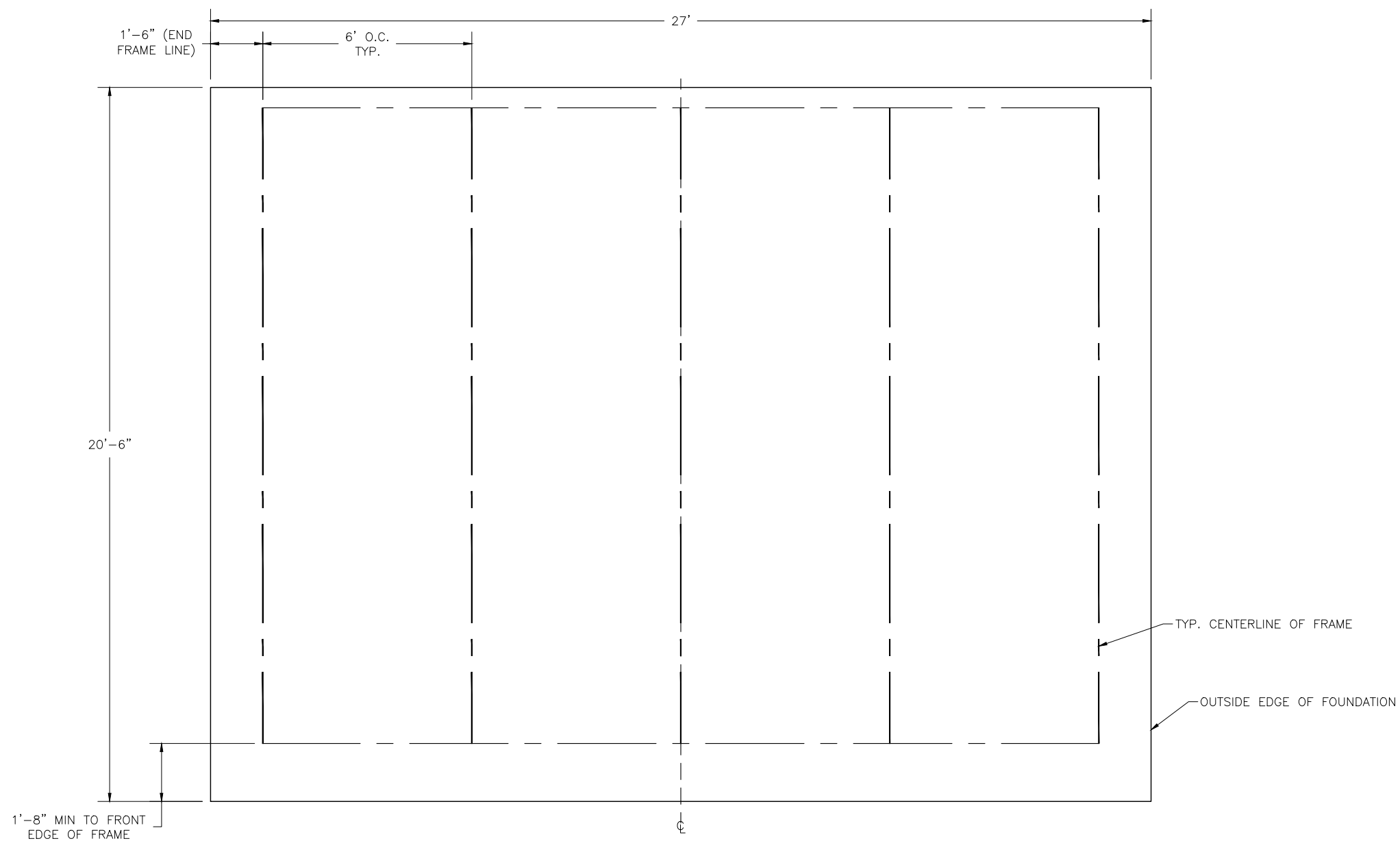
GS-1027ADC-A
 OPTIONAL -MS (MUD SILL)

DRAWN BY
 MME
 CHECKED BY
 TLC
 DATE
 12/01/2016
 SCALE

JOB NO.
 GS-1027ADC-A
 DWG NO.

TD.1

LOCATE FRAMES ON FOUNDATION



* MINIMUM FOUNDATION AREA SHOWN. DEPENDING ON LOCAL SOIL CONDITIONS, BLEACHER CAN BE INSTALLED ON A CONCRETE PAD OR FOOTERS, OR ATTACHED TO 2x6 TREATED LUMBER GROUND SILLS AND PLACED ON COMPACTED STONE, ASPHALT, OR ANY OTHER SMOOTH, SOLID, LEVEL SURFACE. CONSULT YOUR LOCAL CONCRETE CONTRACTOR TO DETERMINE PROPER CONCRETE SPECIFICATIONS FOR YOUR LOCAL SOIL AND WEATHER-RELATED CONDITIONS. THE BEARING SURFACE MUST BE CAPABLE OF SUPPORTING A MINIMUM OF 660 POUNDS PER LINEAR FOOT. TO MEET LOCAL CODES, BLEACHERS WILL NEED TO BE ANCHORED. ANCHORING SYSTEMS FOR ALL SURFACE TYPES ARE AVAILABLE - CONTACT YOUR BLEACHER SALES REPRESENTATIVE FOR MORE INFORMATION.



2810 Sydney Road
Plant City, Florida 33566
Phone: 813-305-1415
Fax: 813-305-1419
www.gtgrandstands.com



FOUNDATION PLAN
10 ROW BLEACHER
8" RISE / 10" SEAT

GS-I027ADC-A
OPTIONAL -MS (MUD SILL)

DRAWN BY
MME
CHECKED BY
TLC
DATE
12/01/2016
SCALE

JOB NO.

GS-I027ADC-A
DWG NO.

FP.1



2810 Sydney Road
Plant City, Florida 33566
Phone: 813-305-1415
Fax: 813-305-1419
www.gtgrandstands.com



FRAMING & CLIP PRE-ASSEMBLY
10 ROW BLEACHER
8" RISE / 10" SEAT

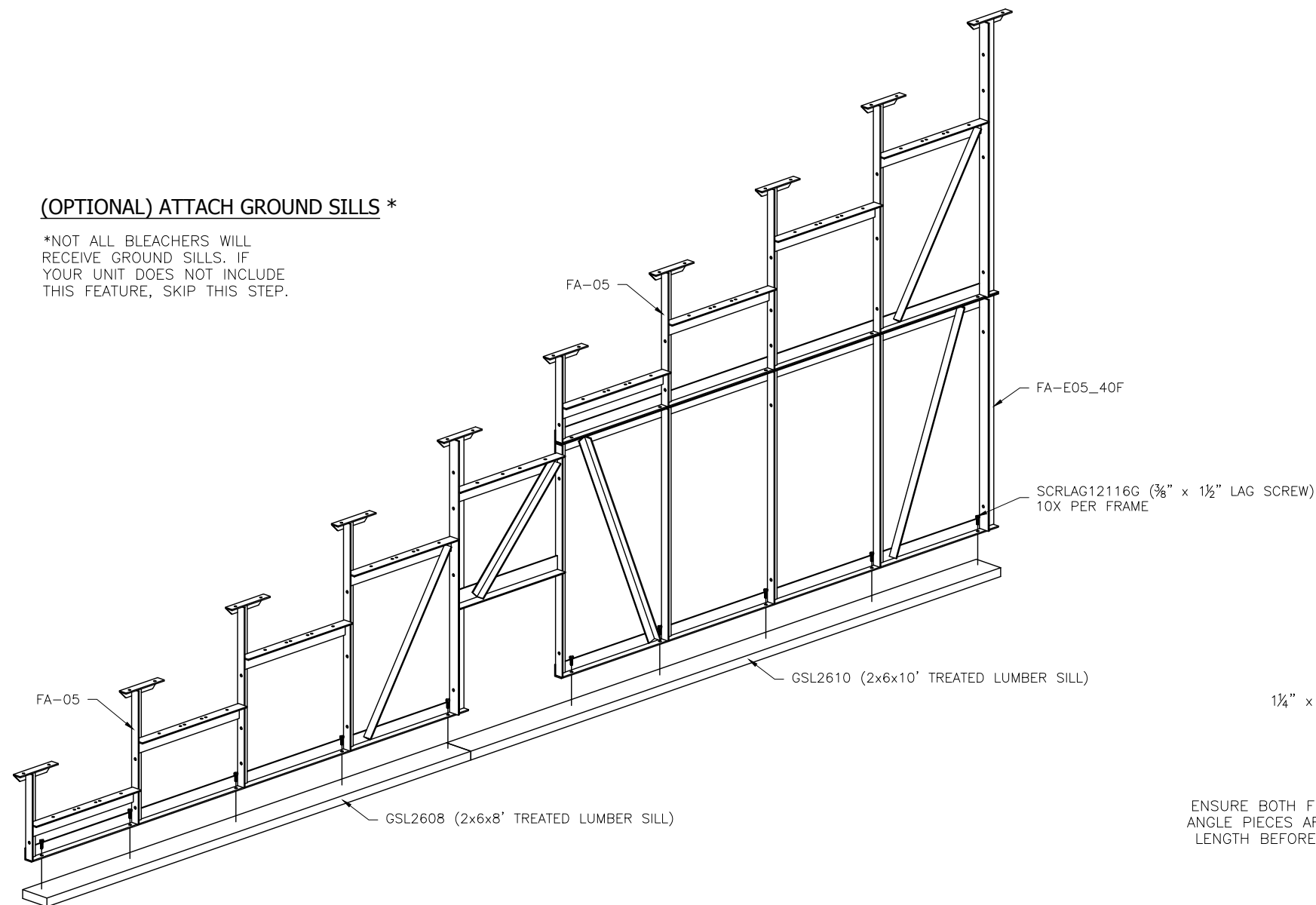
GS-1027ADC-A
OPTIONAL -MS (MUD SILL)

DRAWN BY
MME
CHECKED BY
TLC
DATE
12/01/2016
SCALE
JOB NO.
GS-1027ADC-A
DWG NO.

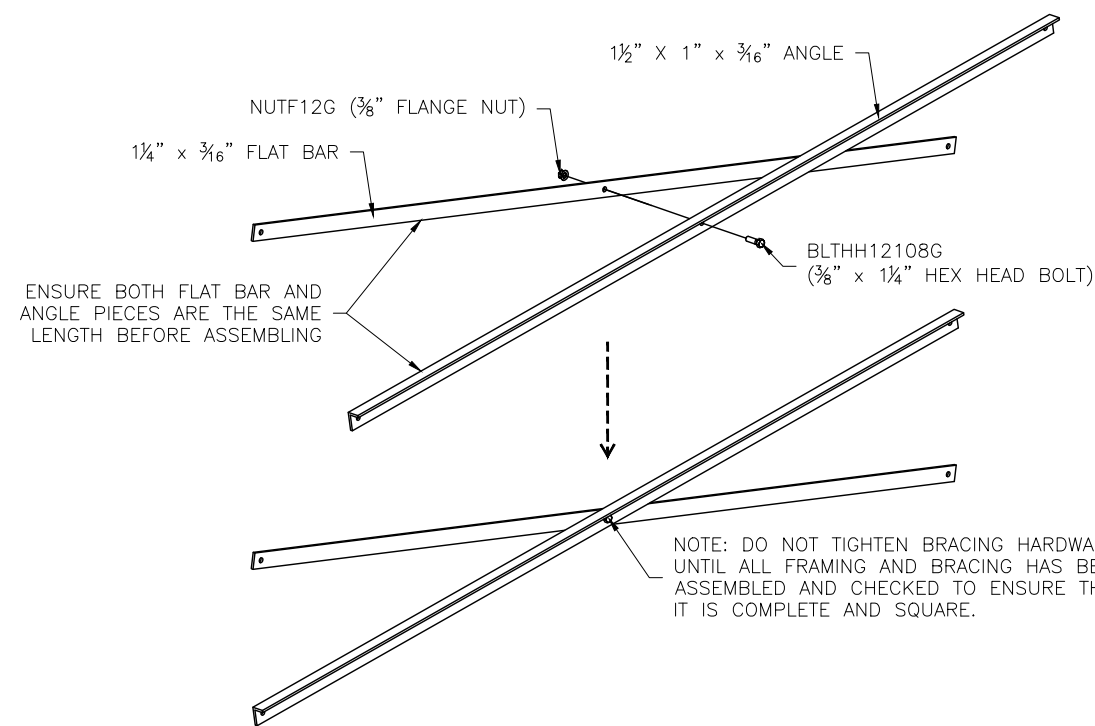
BA.1

(OPTIONAL) ATTACH GROUND SILLS *

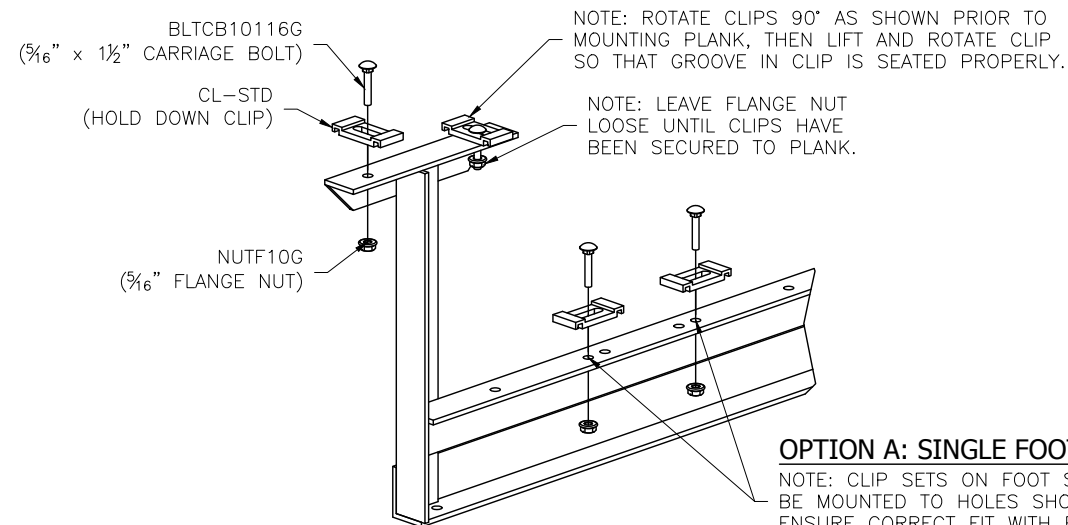
*NOT ALL BLEACHERS WILL RECEIVE GROUND SILLS. IF YOUR UNIT DOES NOT INCLUDE THIS FEATURE, SKIP THIS STEP.



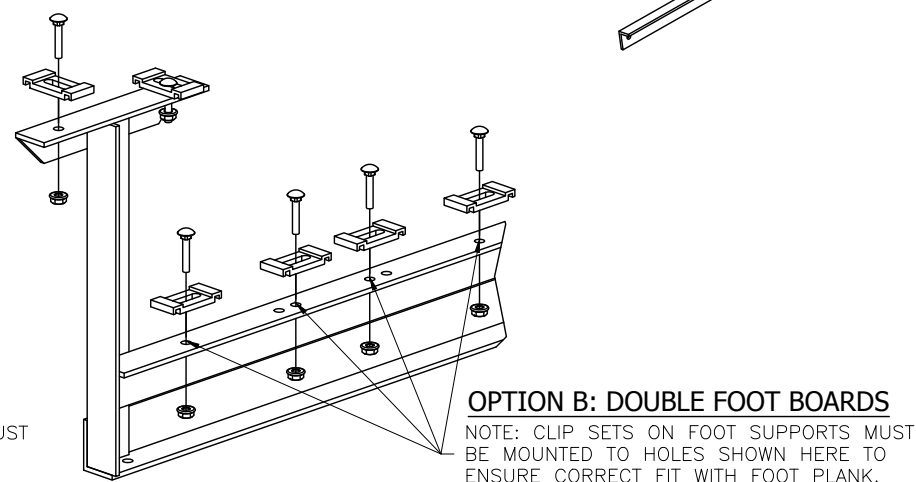
PRE-ASSEMBLE X-BRACE PAIR(S)



**ONCE FRAMING IS COMPLETE,
PRE-ASSEMBLE CLIP SETS ON BLEACHER FRAMES**

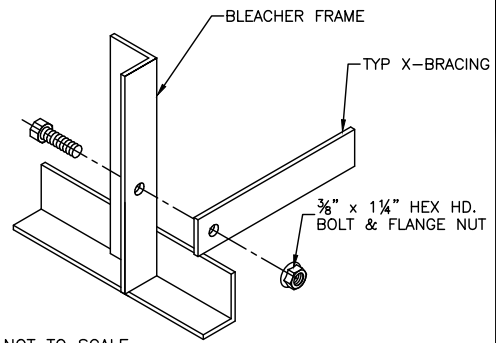


OPTION A: SINGLE FOOT BOARDS
NOTE: CLIP SETS ON FOOT SUPPORTS MUST BE MOUNTED TO HOLES SHOWN HERE TO ENSURE CORRECT FIT WITH FOOT PLANK.



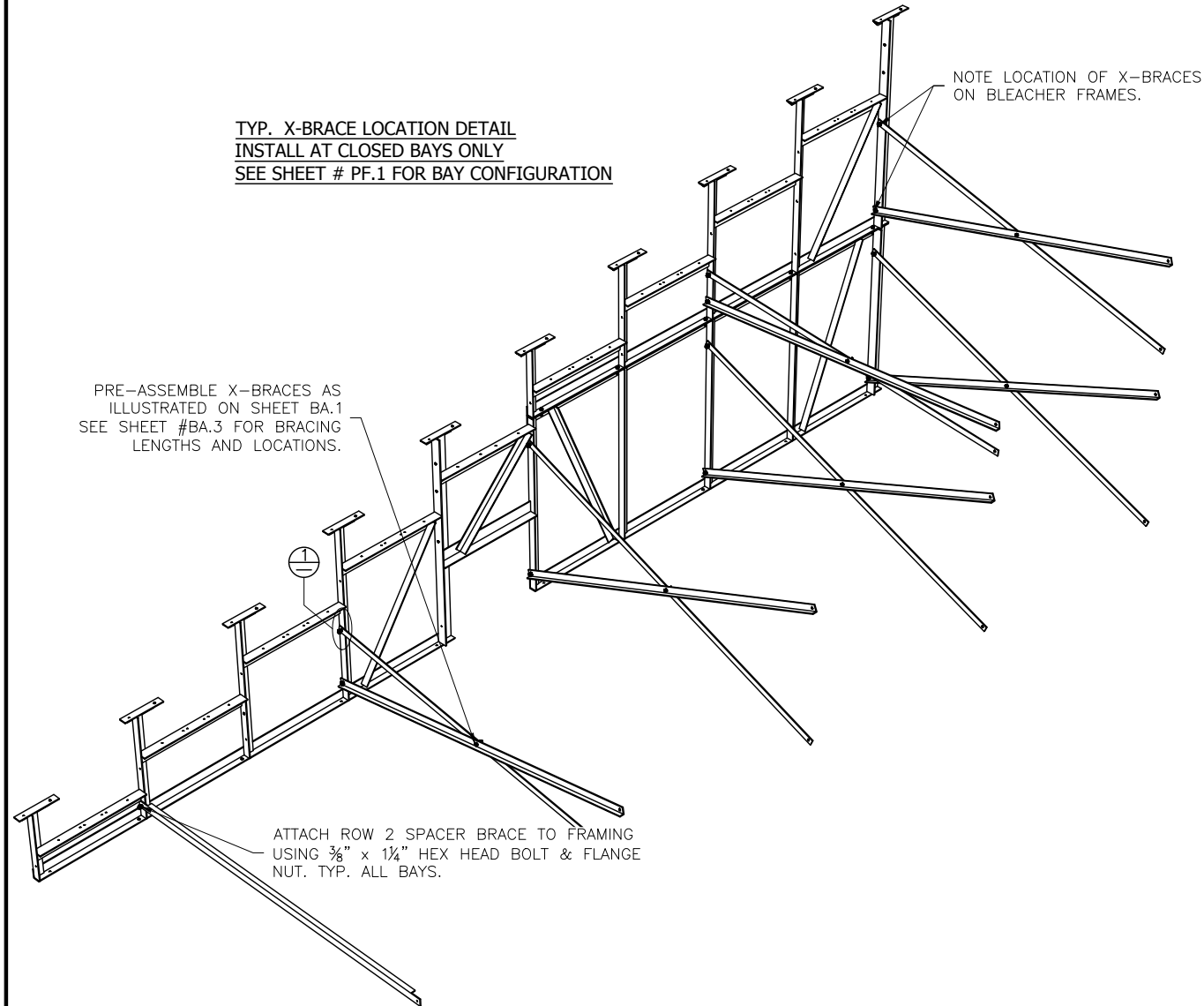
OPTION B: DOUBLE FOOT BOARDS
NOTE: CLIP SETS ON FOOT SUPPORTS MUST BE MOUNTED TO HOLES SHOWN HERE TO ENSURE CORRECT FIT WITH FOOT PLANK.

⊕ TYP X-BRACE CONN. W/ 1¼ BOLT

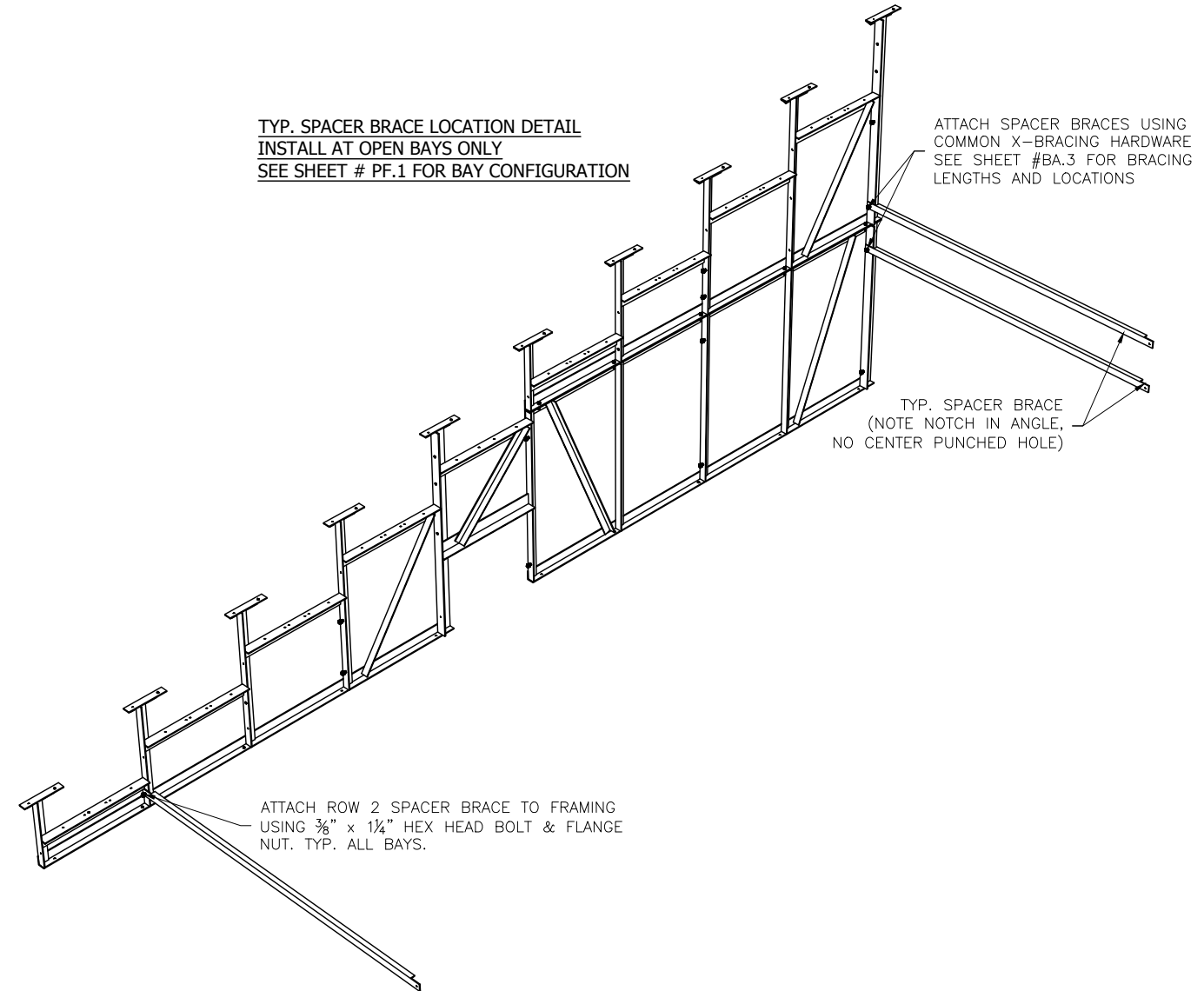


NOT TO SCALE

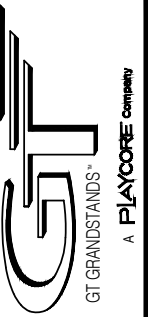
TYP. X-BRACE LOCATION DETAIL
 INSTALL AT CLOSED BAYS ONLY
 SEE SHEET # PF.1 FOR BAY CONFIGURATION



TYP. SPACER BRACE LOCATION DETAIL
 INSTALL AT OPEN BAYS ONLY
 SEE SHEET # PF.1 FOR BAY CONFIGURATION



2810 Sydney Road
 Plant City, Florida 33566
 Phone: 813-305-1415
 Fax: 813-305-1419
 www.gtgrandstands.com



BRACING LOCATION PLAN
 10 ROW BLEACHER
 8" RISE / 10" SEAT

GS-1027ADC-A
 OPTIONAL -MS (MUD SILL)

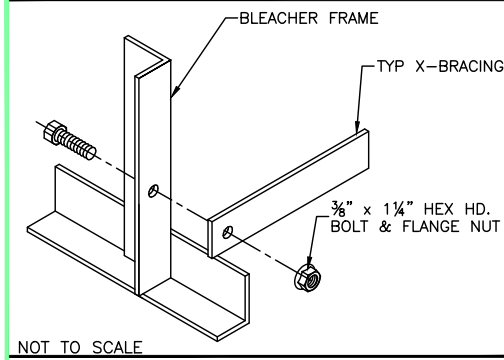
DRAWN BY
 MME
 CHECKED BY
 TLC
 DATE
 12/01/2016
 SCALE

JOB NO.

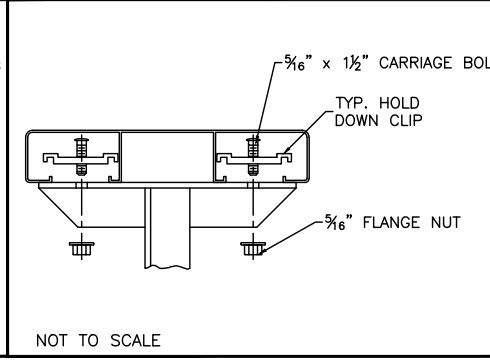
GS-1027ADC-A
 DWG NO.

BA.2

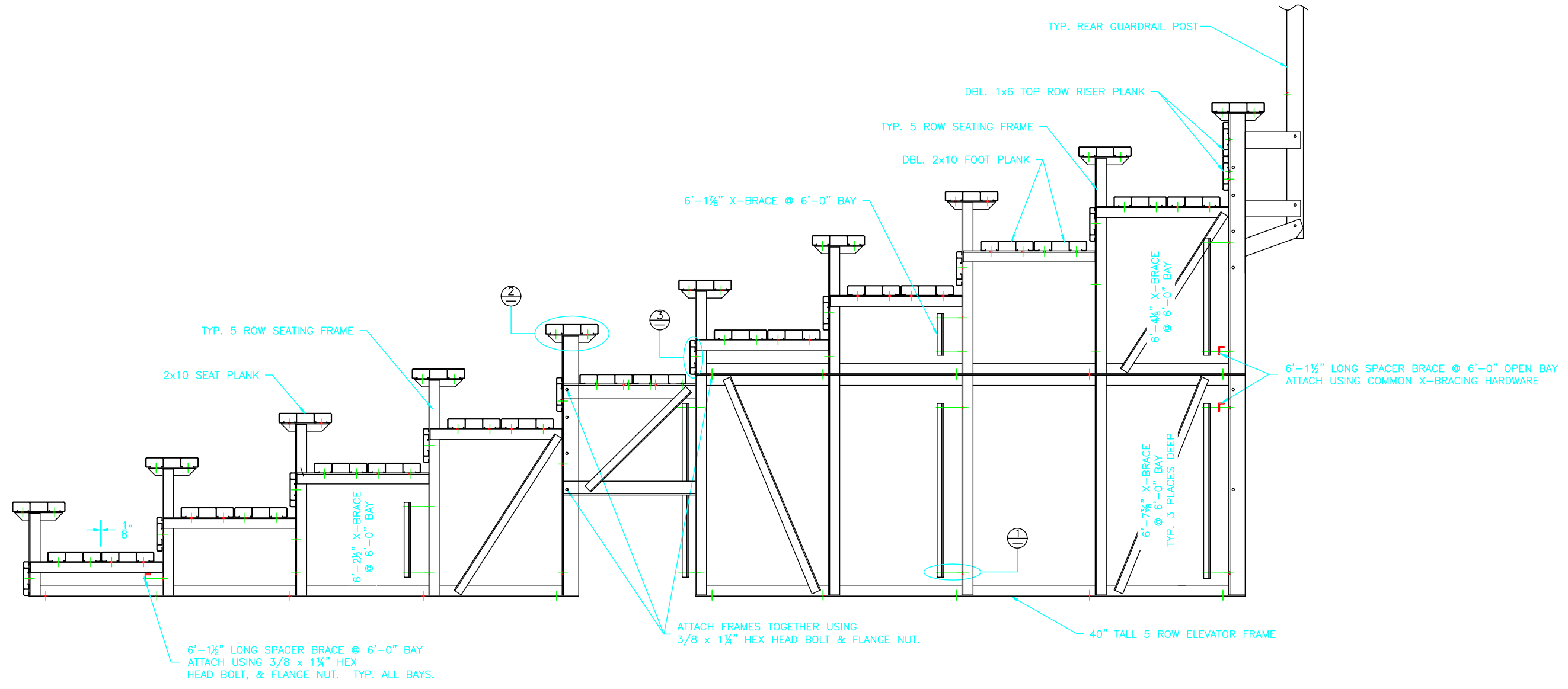
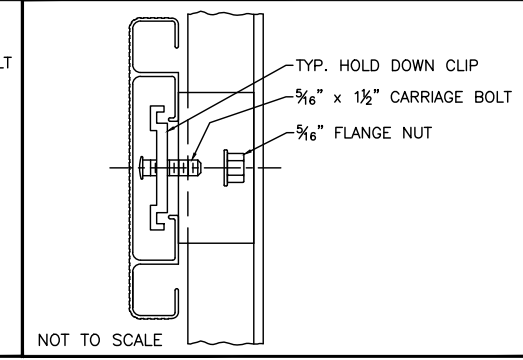
⊕ TYP X-BRACE CONN. W/ 1 1/4" BOLT



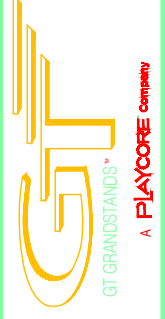
⊕ TYP 2x10 PLANK ATTACHMENT



⊕ TYP 1x6 PLANK ATTACHMENT



2810 Sydney Road
Plant City, Florida 33566
Phone: 813-305-1415
Fax: 813-305-1419
www.gtgrandstands.com



BLEACHER ASSEMBLY
10 ROW BLEACHER
8" RISE / 10" SEAT

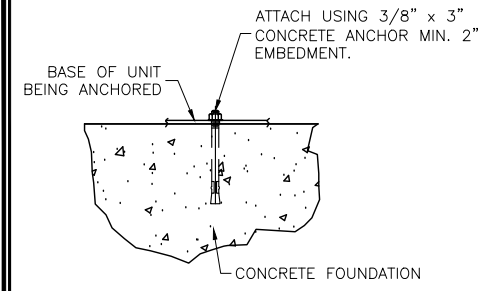
GS-1027ADC-A
OPTIONAL -MS (MUD SILL)

DRAWN BY
MME
CHECKED BY
TLC
DATE
12/01/2016
SCALE

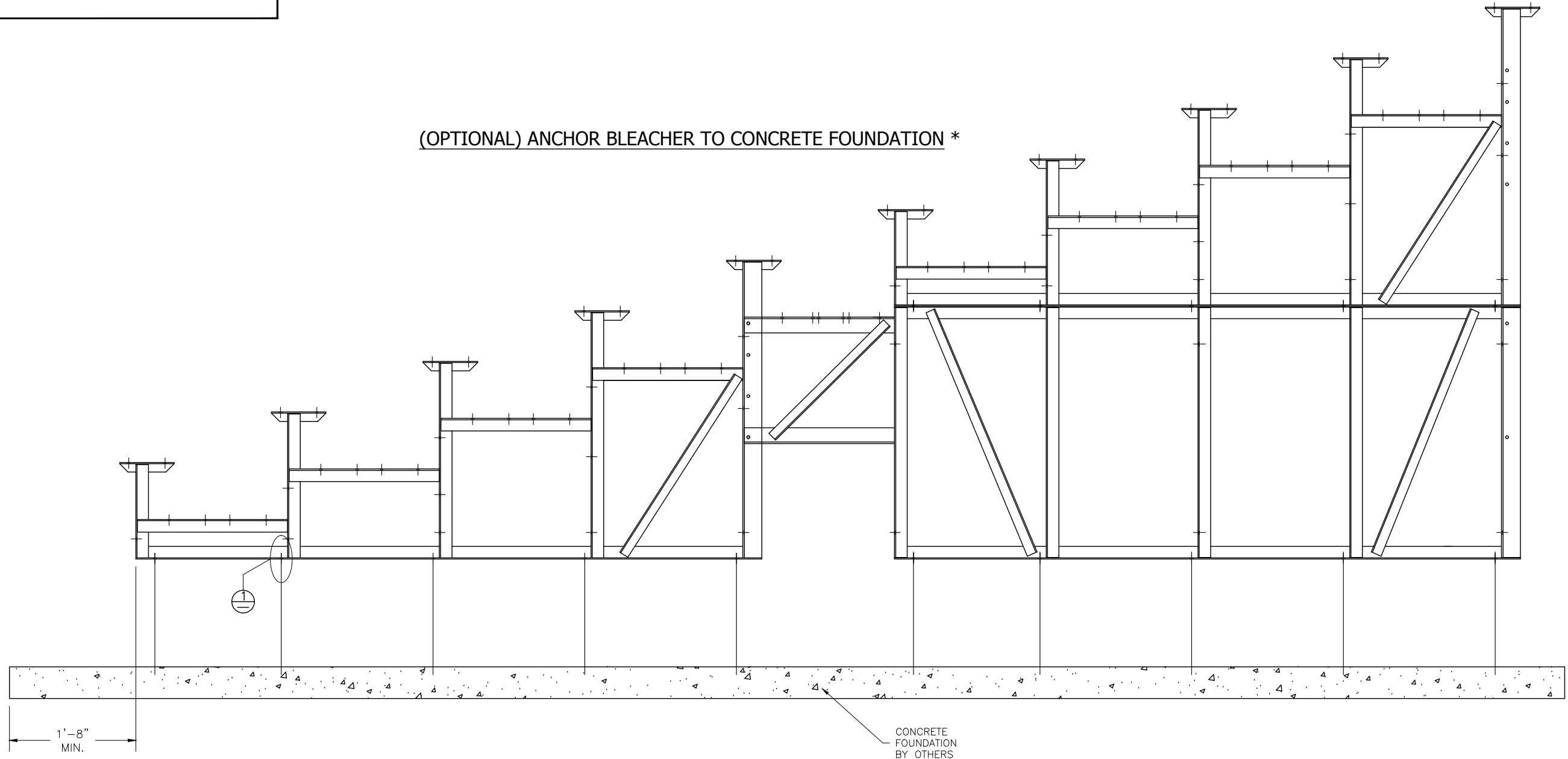
JOB NO.
GS-1027ADC-A

DWG NO.
BA.3

⊕ WEDGE ANCHOR DETAIL — 3"



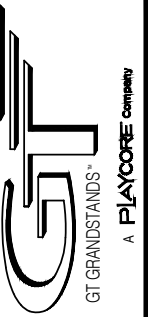
(OPTIONAL) ANCHOR BLEACHER TO CONCRETE FOUNDATION *



* CONCRETE WEDGE ANCHORS NOT INCLUDED WITH ALL UNITS. IF USING OTHER ANCHORING SYSTEM, SKIP THIS STEP AND REFER TO INSTRUCTIONS SPECIFIC TO THE ANCHORING SYSTEM PURCHASED FOR YOUR UNIT. SEE PRINT FP.1 (INCLUDED IN THIS PACKET) FOR GENERAL CONCRETE FOUNDATION SPECIFICATIONS.



2810 Sydney Road
Plant City, Florida 33566
Phone: 813-305-1415
Fax: 813-305-1419
www.gtgrandstands.com



ANCHORING PLAN
10 ROW BLEACHER
8" RISE / 10" SEAT

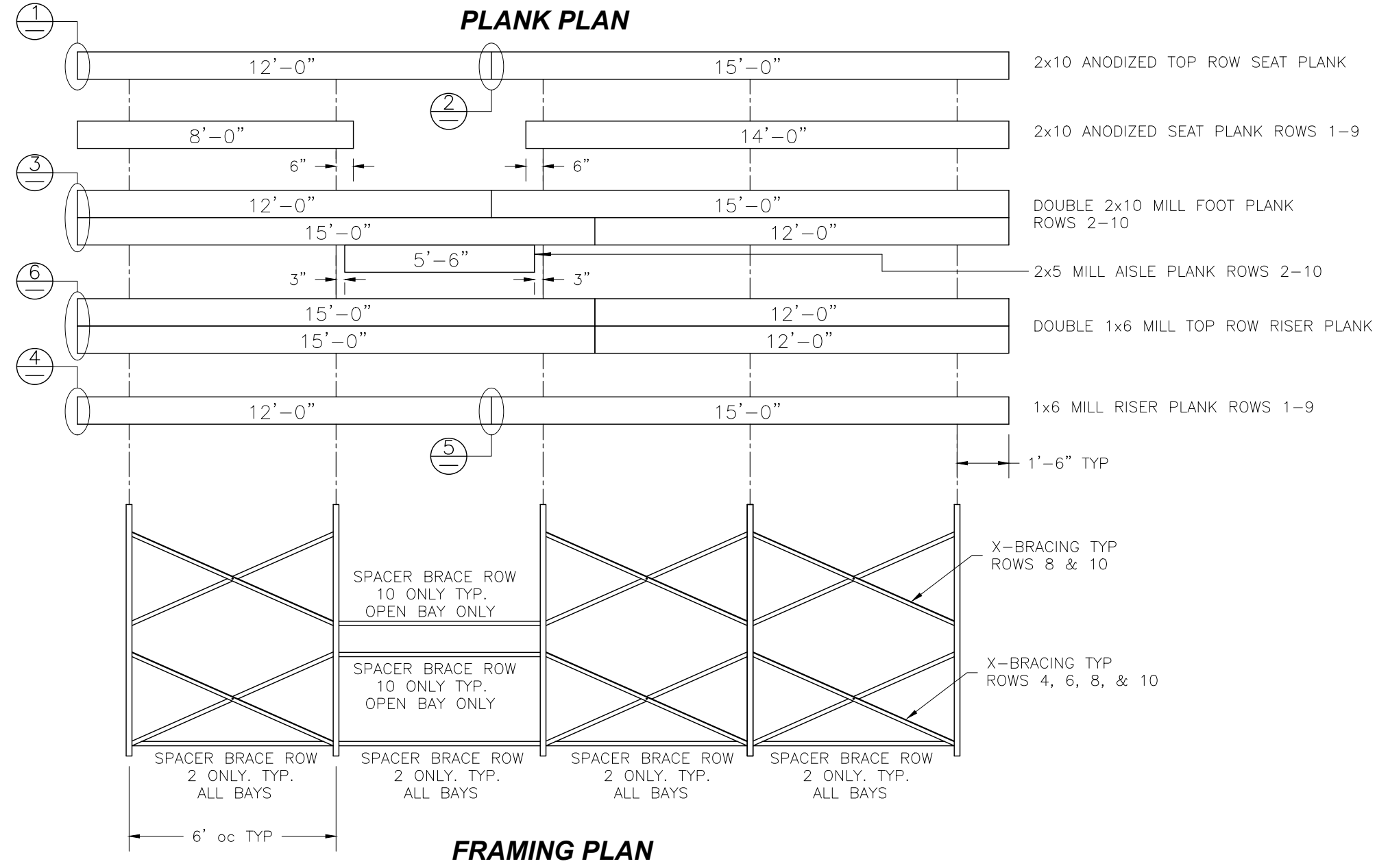
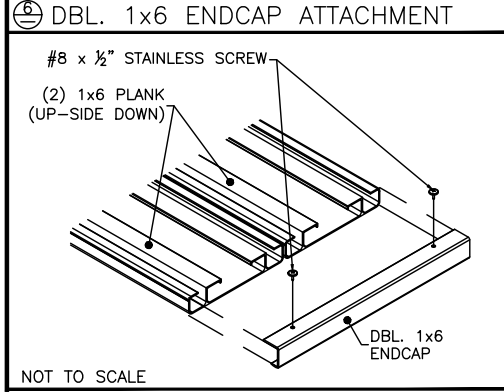
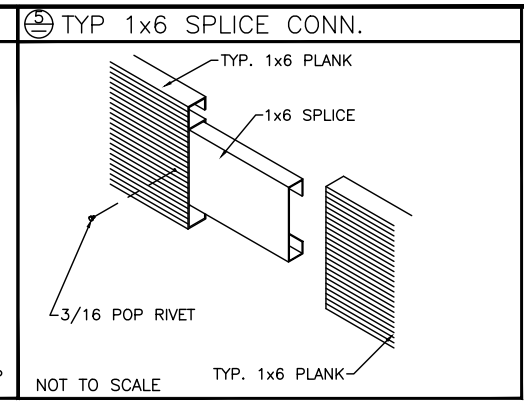
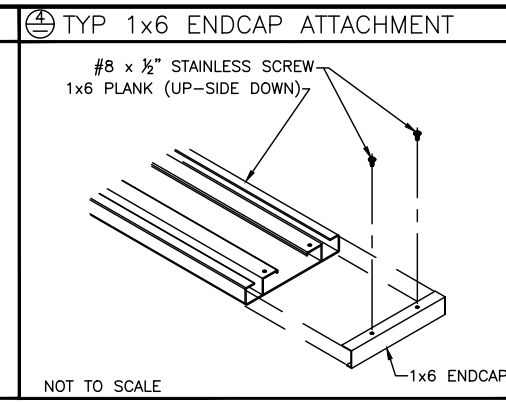
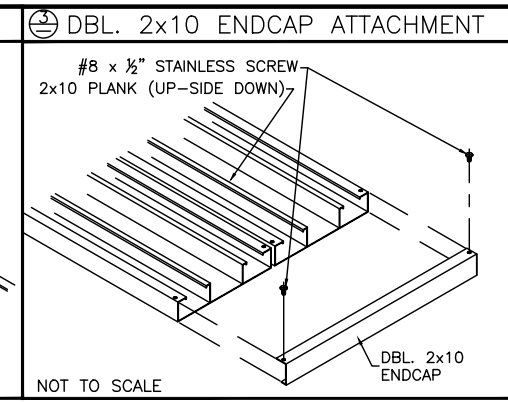
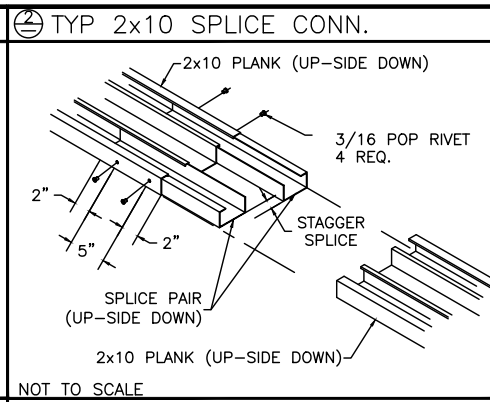
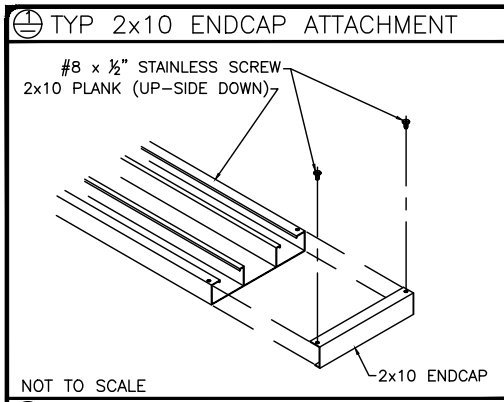
GS-1027ADC-A
OPTIONAL -MS (MUD SILL)

DRAWN BY
MME
CHECKED BY
TLC
DATE
12/01/2016
SCALE

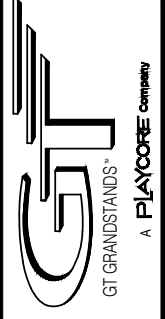
JOB NO.

GS-1027ADC-A
DWG NO.

AP.1



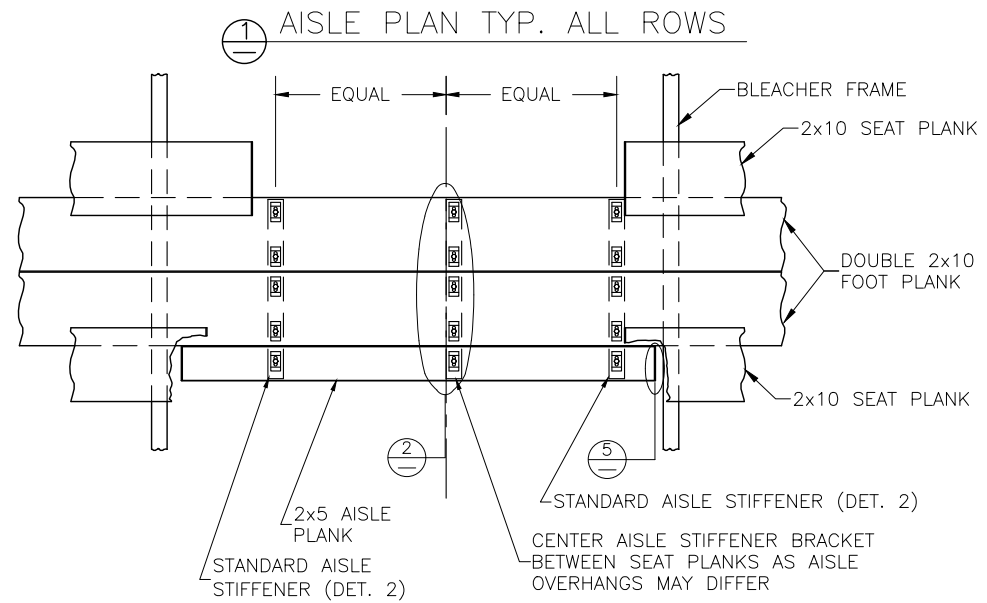
2810 Sydney Road
Plant City, Florida 33566
Phone: 813-305-1415
Fax: 813-305-1419
www.gtgrandstands.com



PLANK & FRAME PLAN
10 ROW BLEACHER
8" RISE / 10" SEAT

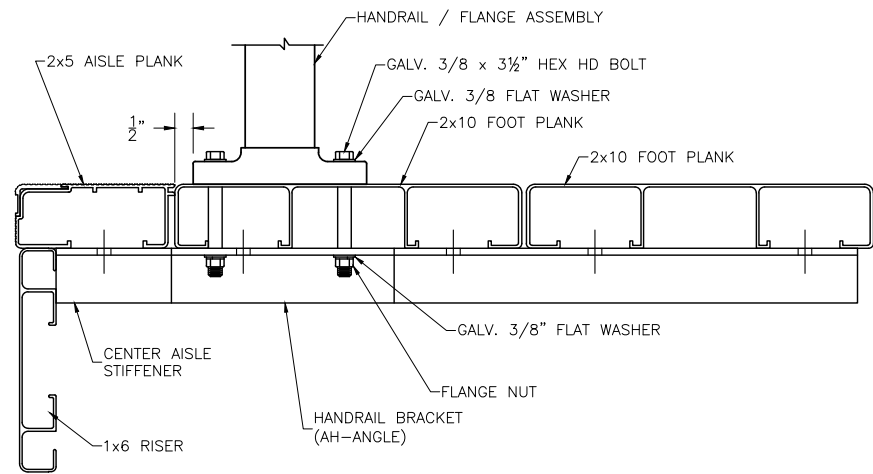
GS-1027ADC-A
OPTIONAL -MS (MUD SILL)

DRAWN BY
MME
CHECKED BY
TLC
DATE
12/01/2016
SCALE
JOB NO.
GS-1027ADC-A
DWG NO.
PF.1



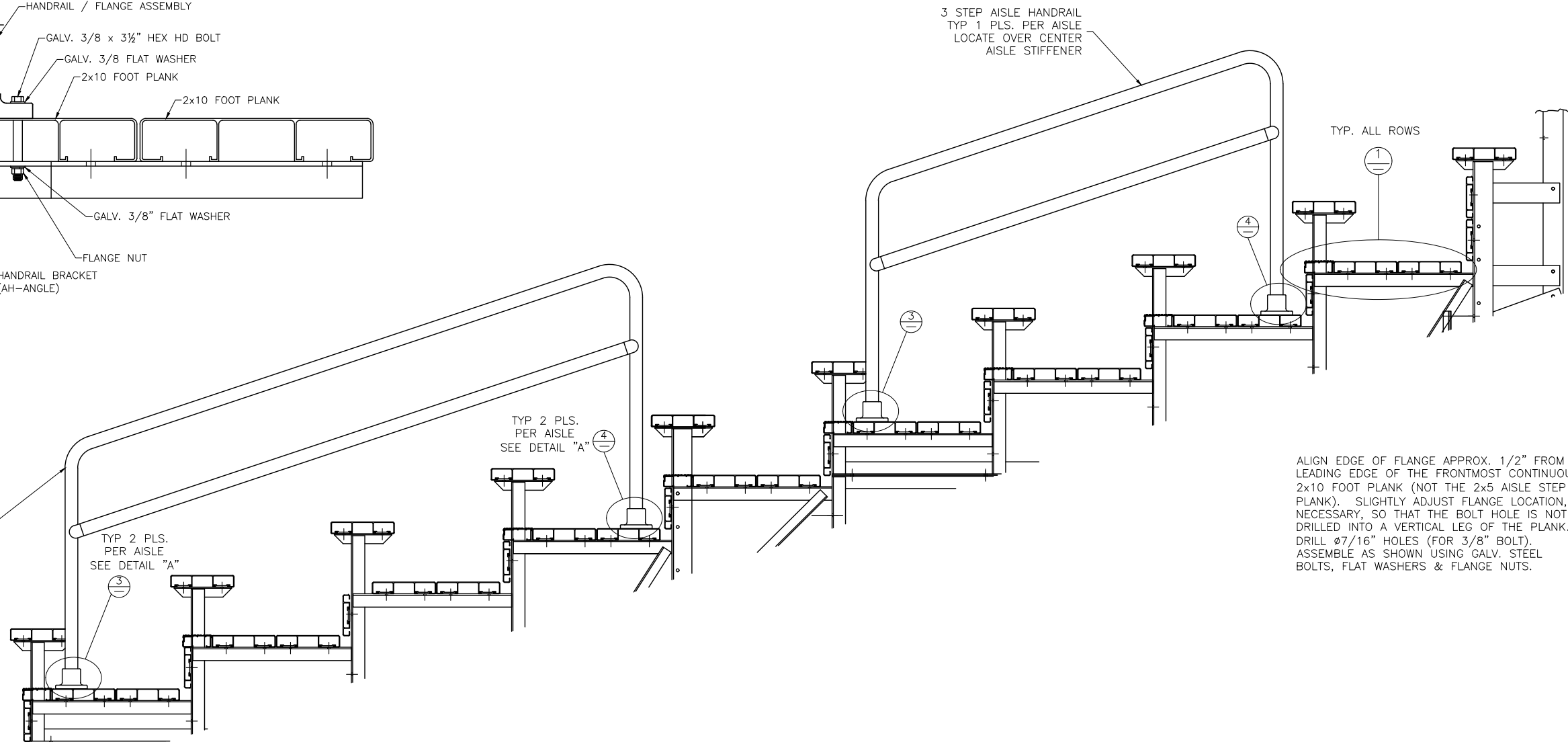
DETAIL A

FRONT HANDRAIL ASSEMBLY SHOWN
LOCATE OVER REAR FOOT PLANK FOR REAR ASSEMBLY

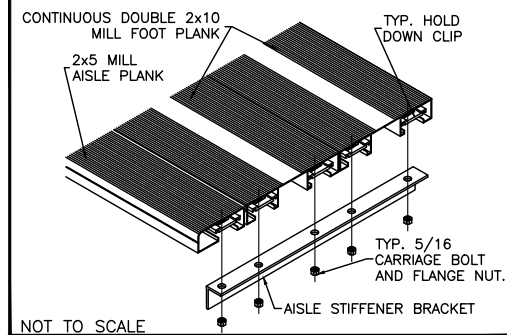


4 STEP AISLE HANDRAIL
TYP 1 PLS. PER AISLE
LOCATE OVER CENTER
AISLE STIFFENER

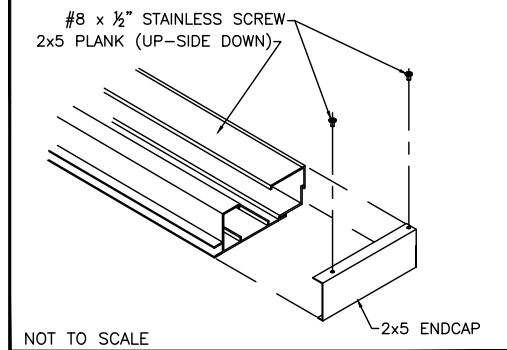
TYP 2 PLS.
PER AISLE
SEE DETAIL "A"



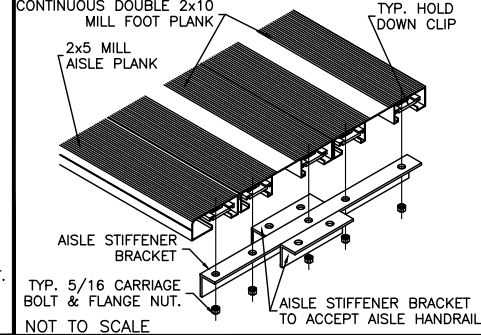
③ TYP. AISLE BKT DETAIL



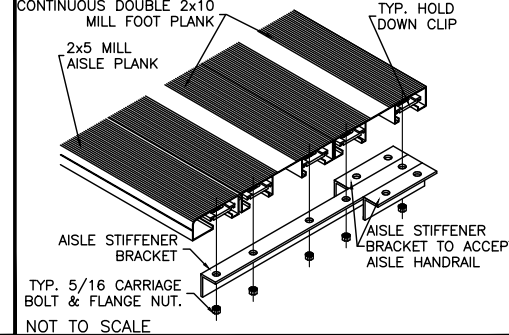
④ TYP 2x5 ENDCAP ATTACHMENT



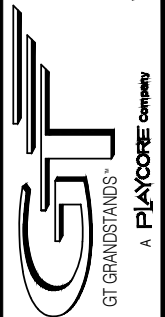
② FRONT AISLE H.R. BRACKET DETAIL



④ REAR AISLE H.R. BRACKET DETAIL



2810 Sydney Road
Plant City, Florida 33566
Phone: 813-305-1415
Fax: 813-305-1419
www.gtgrandstands.com



VERTICAL AISLE ASSEMBLY
10 ROW BLEACHER
8" RISE / 10" SEAT

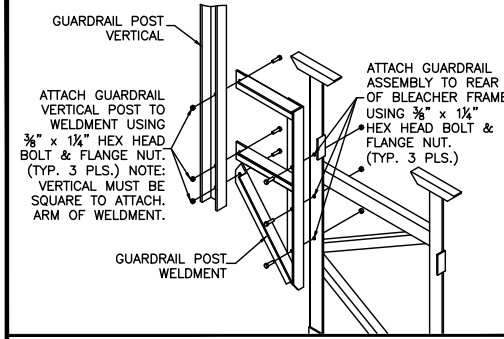
GS-1027ADC-A
OPTIONAL -MS (MUD SILL)

DRAWN BY
MME
CHECKED BY
TLC
DATE
12/01/2016
SCALE

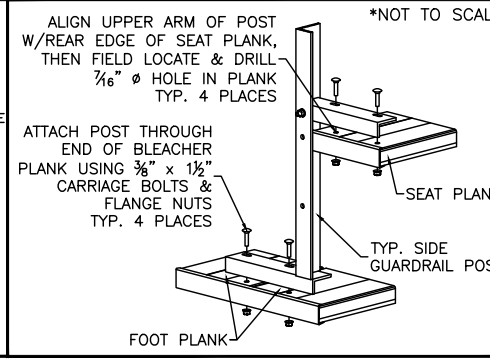
JOB NO.
GS-1027ADC-A
DWG NO.

VA.1

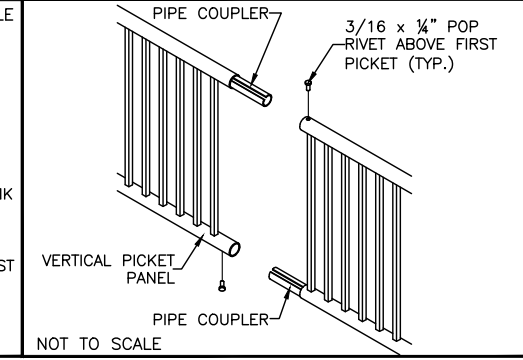
① REAR GUARDRAIL POST ATTACH.



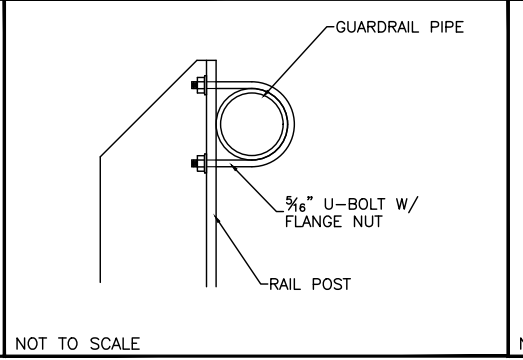
② SIDE GD. RAIL POST INSTALLATION



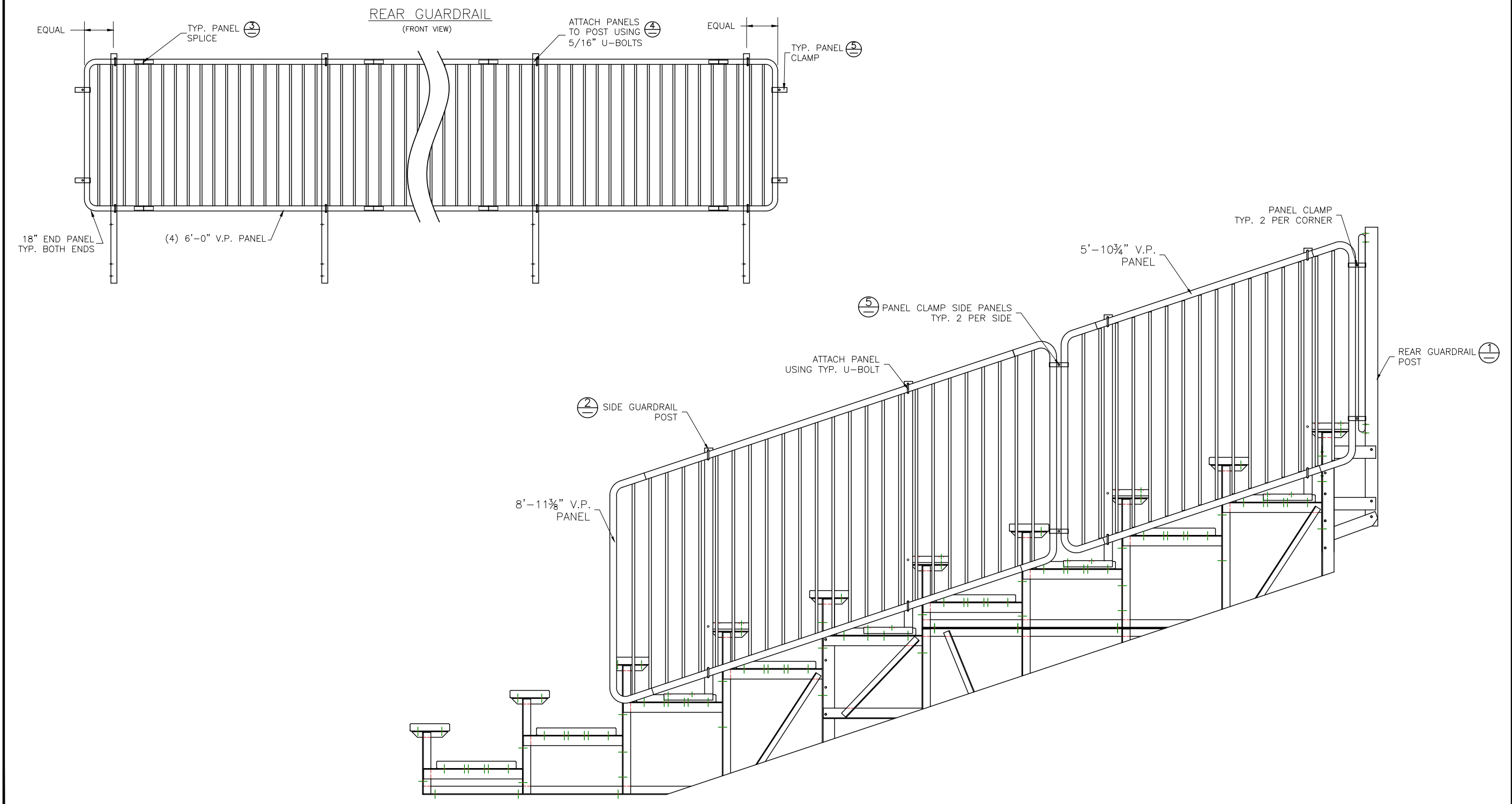
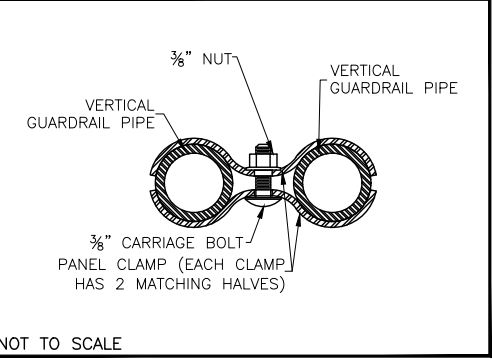
③ PANEL SPLICE DETAIL



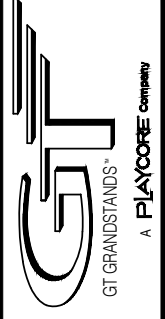
④ U-BOLT DETAIL



⑤ PANEL CLAMP DETAIL



2810 Sydney Road
Plant City, Florida 33566
Phone: 813-305-1415
Fax: 813-305-1419
www.gtgrandstands.com



GUARDRAIL ASSEMBLY
10 ROW BLEACHER
8" RISE / 10" SEAT

GS-1027ADC-A
OPTIONAL -MS (MUD SILL)

DRAWN BY
MME
CHECKED BY
TLC
DATE
12/01/2016
SCALE
JOB NO.
GS-1027ADC-A
DWG NO.
GR.1