

GS-1027ADC-A

NON-ELEV. ALUMINUM 10 ROW 27'-0" BLEACHER

DRAWING SHEET INDEX

CS.1	COVER SHEET
SP.1	SEATING PLAN
FP.1	FOUNDATION PLAN
BA.1	BLEACHER PREP
BA.2	BRACING LOCATIONS
BA.3	ASSEMBLY SECTION VIEW
AP.1	ANCHORING PLAN
PF.1	PLANK & FRAMING PLAN
VA.1	VERTICAL AISLE ASSEMBLY
GR.1	GUARDRAIL ASSEMBLY



2810 Sydney Road
Plant City, Florida 33566
Phone: 813-305-1415
Fax: 813-305-1419
www.gtgrandstands.com

This drawing and all information contained herein is the property of NATIONAL RECREATION SYSTEMS, INC. and is not to be reproduced without the express written permission of this manufacturer. We assume no responsibility for unauthorized use of this drawing. NATIONAL RECREATION SYSTEMS, INC. is not responsible for local permits and occupancy requirements.

MODEL NUMBER: GS-1027ADC-A

DESCRIPTION: NON-ELEV. 10 ROW 27'-0" ASSEMBLY PRINTS

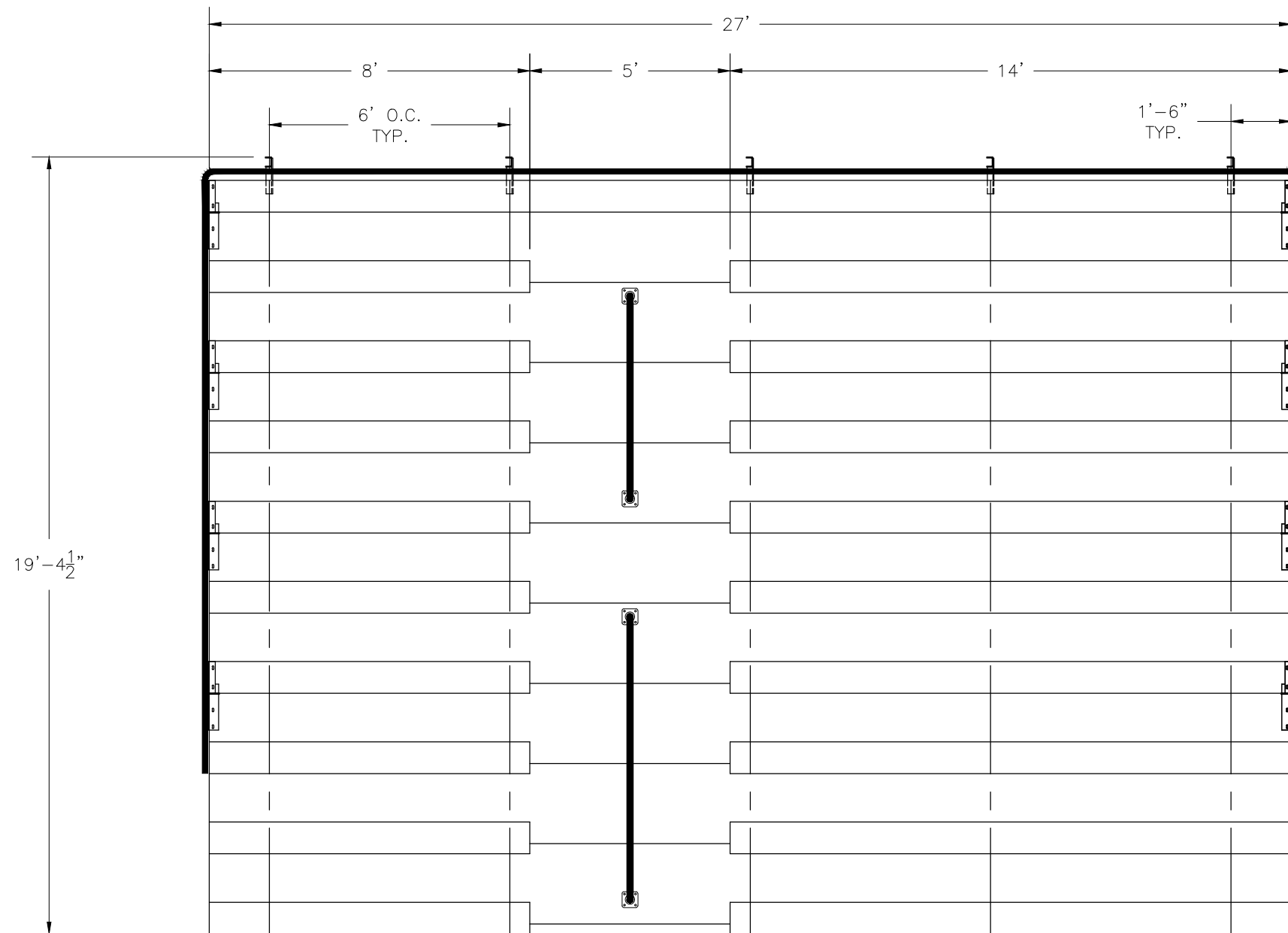
DRAWN BY: MME

DATE: 7/13/17

REVISION: 0

SCALE: N.T.S.

SHEET NUMBER: CS.1



SECTION LENGTH	GROSS SEATS	ACTUAL SEATS	NO. OF ROWS	NET SEATS
27	18.00	18.00	1	18
8	5.33	5.00	9	45
14	9.33	9.00	9	81
NET SEATS				144
WHEELCHAIR SPACES				0
TOTAL NET SEATING CAPACITY (BASED ON 18" PER SEAT)				144



2810 Sydney Road
 Plant City, Florida 33566
 Phone: 813-305-1415
 Fax: 813-305-1419
 www.gtgrandstands.com

This drawing and all information contained herein is the property of NATIONAL RECREATION SYSTEMS, INC. and is not to be reproduced without the express written permission of this manufacturer. We assume no responsibility for unauthorized use of this drawing. NATIONAL RECREATION SYSTEMS, INC. is not responsible for local permits and occupancy requirements.

MODEL NUMBER: GS-1027ADC-A

DESCRIPTION: NON-ELEV. 10 ROW 27'-0" SEATING PLAN

DRAWN BY: MME

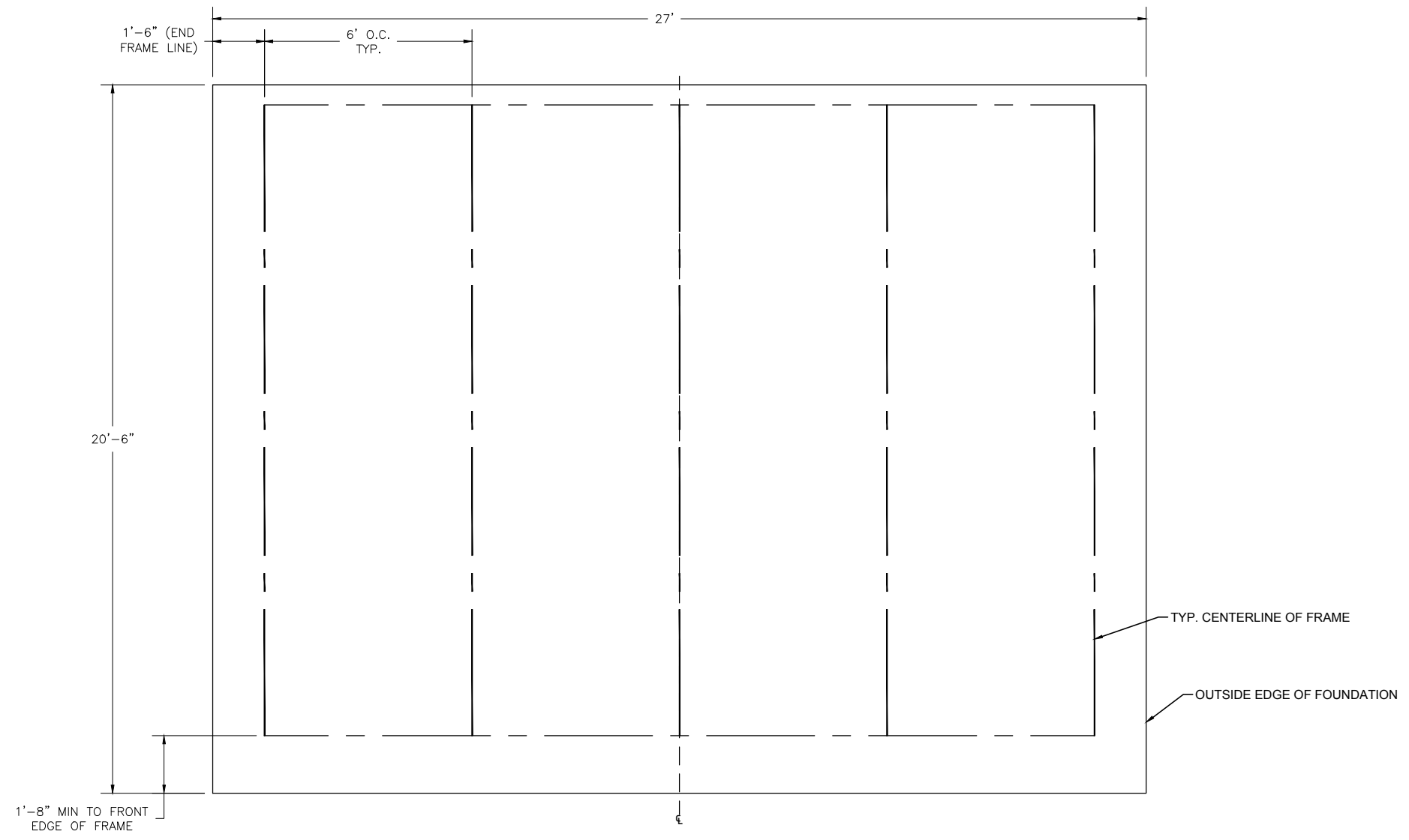
DATE: 7/13/17

REVISION: 0

SCALE: N.T.S.

SHEET NUMBER: SP.1

LOCATE FRAMES ON FOUNDATION



* MINIMUM FOUNDATION AREA SHOWN. DEPENDING ON LOCAL SOIL CONDITIONS, BLEACHER CAN BE INSTALLED ON A CONCRETE PAD OR FOOTERS, OR ATTACHED TO 2x6 TREATED LUMBER GROUND SILLS AND PLACED ON COMPACTED STONE, ASPHALT, OR ANY OTHER SMOOTH, SOLID, LEVEL SURFACE. CONSULT YOUR LOCAL CONCRETE CONTRACTOR TO DETERMINE PROPER CONCRETE SPECIFICATIONS FOR YOUR LOM CAL SOIL AND WEATHER-RELATED CONDITIONS. THE BEARING SURFACE MUST BE CAPABLE OF SUPPORTING A MINIMUM OF 660 POUNDS PER LINEAR FOOT. TO MEET LOCAL CODES, BLEACHERS WILL NEED TO BE ANCHORED. ANCHORING SYSTEMS FOR ALL SURFACE TYPES ARE AVAILABLE - CONTACT YOUR BLEACHER SALES REPRESENTATIVE FOR MORE INFORMATION.

GT
GT GRANDSTANDS*
A PLAYCORE Company

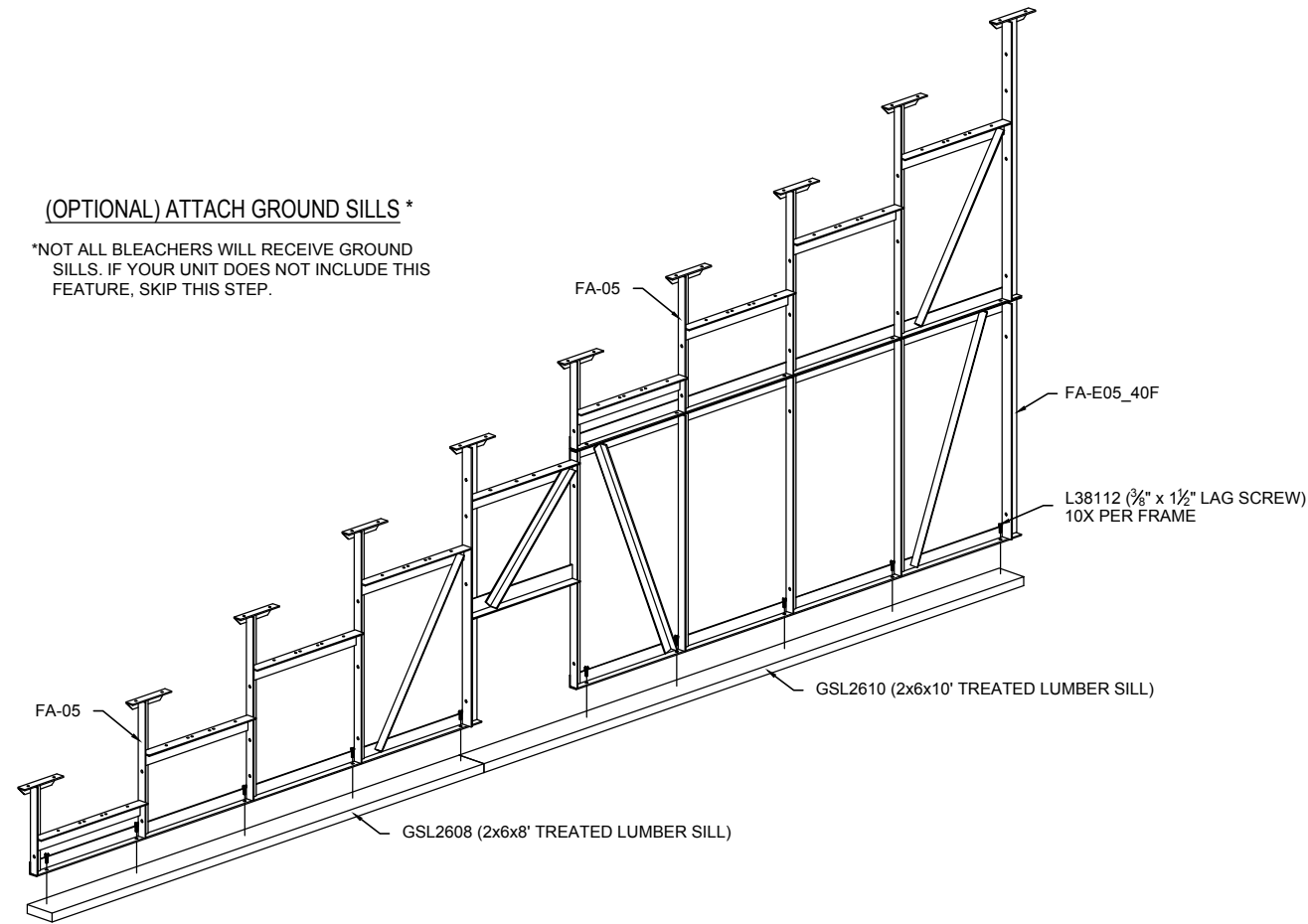
2810 Sydney Road
Plant City, Florida 33566
Phone: 813-305-1415
Fax: 813-305-1419
www.gtgrandstands.com

This drawing and all information contained herein is the property of NATIONAL RECREATION SYSTEMS, INC. and is not to be reproduced without the express written permission of this manufacturer. We assume no responsibility for unauthorized use of this drawing. NATIONAL RECREATION SYSTEMS, INC. is not responsible for local permits and occupancy requirements.

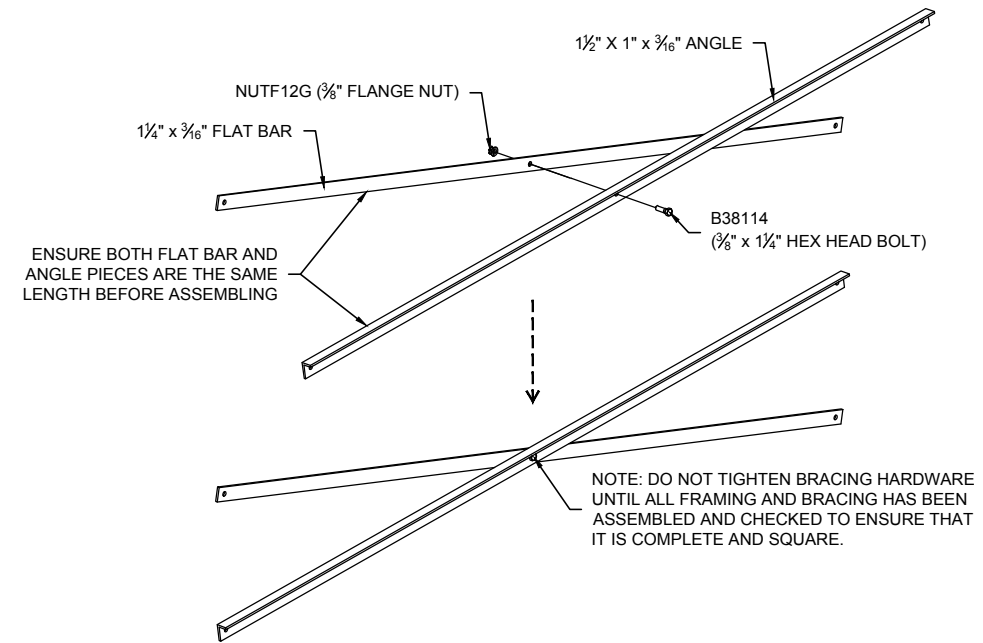
MODEL NUMBER: GS-1027ADC-A				
DESCRIPTION: NON-ELEV. 10 ROW 27'-0" FOUNDATION PLAN				
DRAWN BY: MME	DATE: 7/13/17	REVISION: 0	SCALE: N.T.S.	SHEET NUMBER: FP.1

(OPTIONAL) ATTACH GROUND SILLS *

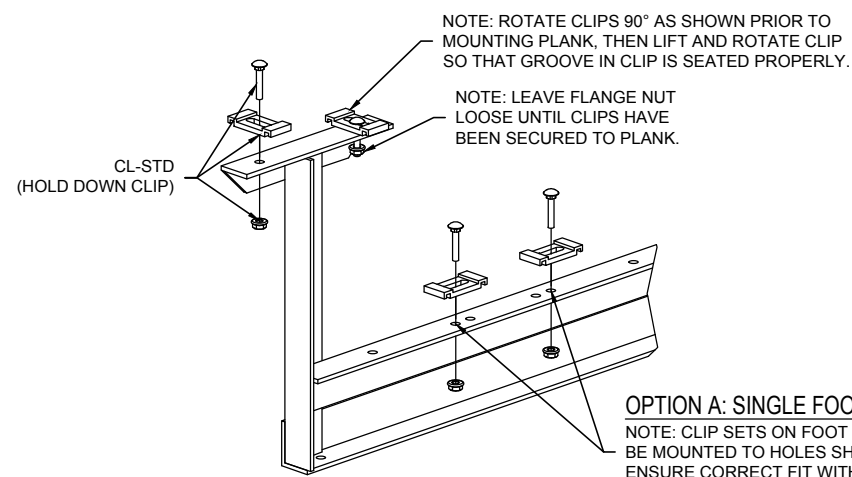
*NOT ALL BLEACHERS WILL RECEIVE GROUND SILLS. IF YOUR UNIT DOES NOT INCLUDE THIS FEATURE, SKIP THIS STEP.



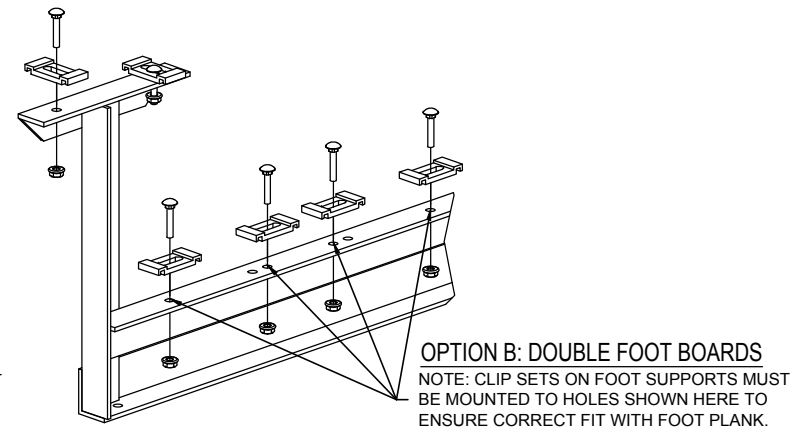
PRE-ASSEMBLE X-BRACE PAIR(S)



ONCE FRAMING IS COMPLETE,
PRE-ASSEMBLE CLIP SETS ON BLEACHER FRAMES



OPTION A: SINGLE FOOT BOARDS
NOTE: CLIP SETS ON FOOT SUPPORTS MUST BE MOUNTED TO HOLES SHOWN HERE TO ENSURE CORRECT FIT WITH FOOT PLANK.



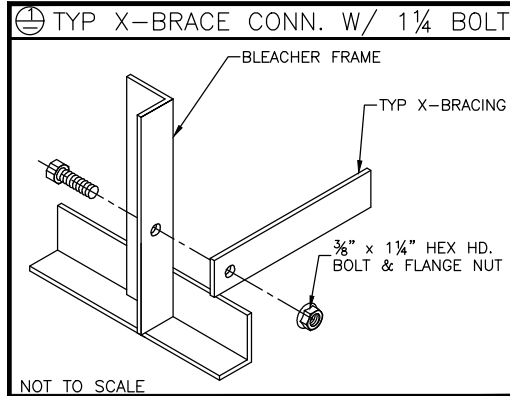
OPTION B: DOUBLE FOOT BOARDS
NOTE: CLIP SETS ON FOOT SUPPORTS MUST BE MOUNTED TO HOLES SHOWN HERE TO ENSURE CORRECT FIT WITH FOOT PLANK.



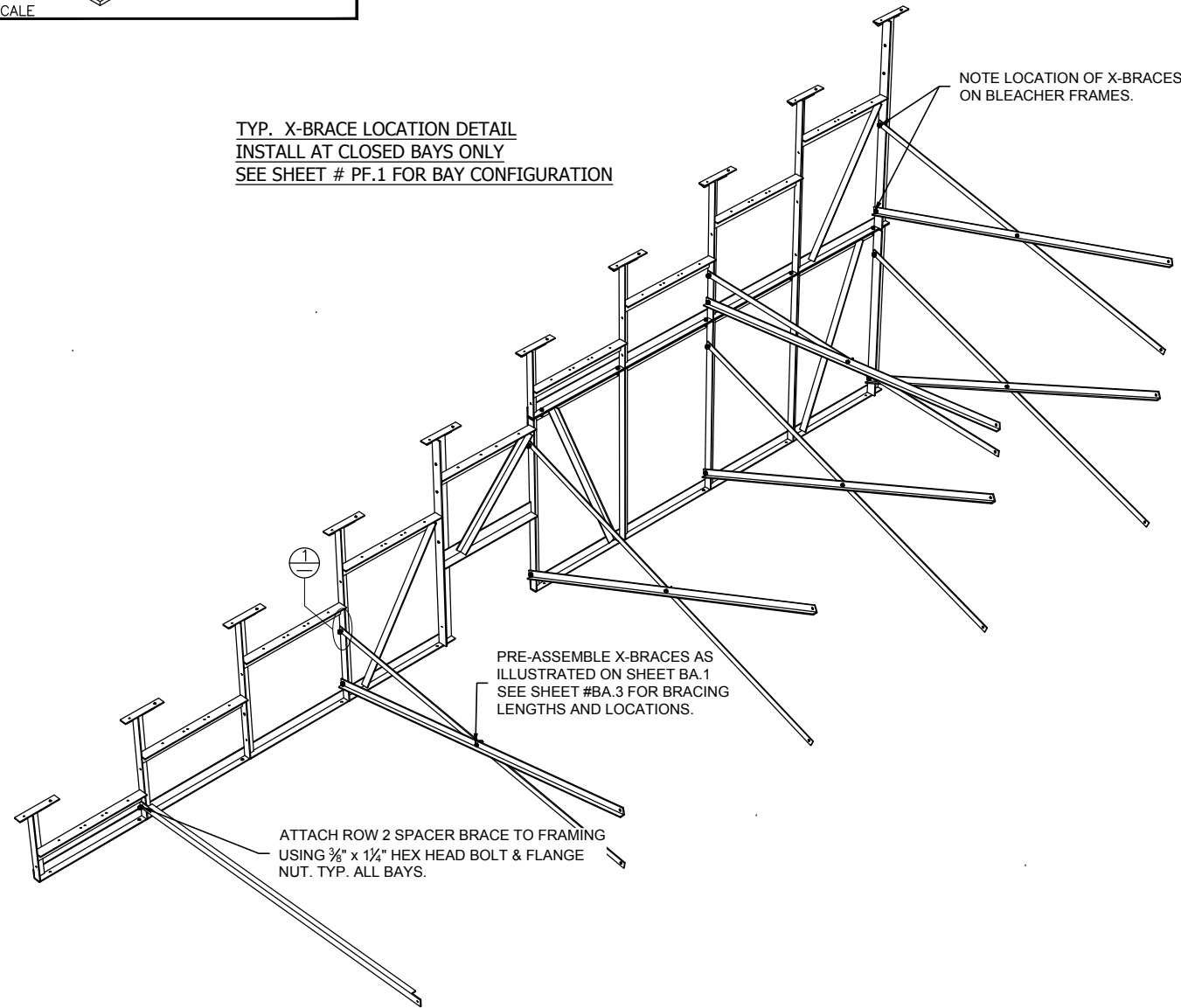
2810 Sydney Road
Plant City, Florida 33566
Phone: 813-305-1415
Fax: 813-305-1419
www.gtgrandstands.com

This drawing and all information contained herein is the property of NATIONAL RECREATION SYSTEMS, INC. and is not to be reproduced without the express written permission of this manufacturer. We assume no responsibility for unauthorized use of this drawing. NATIONAL RECREATION SYSTEMS, INC. is not responsible for local permits and occupancy requirements.

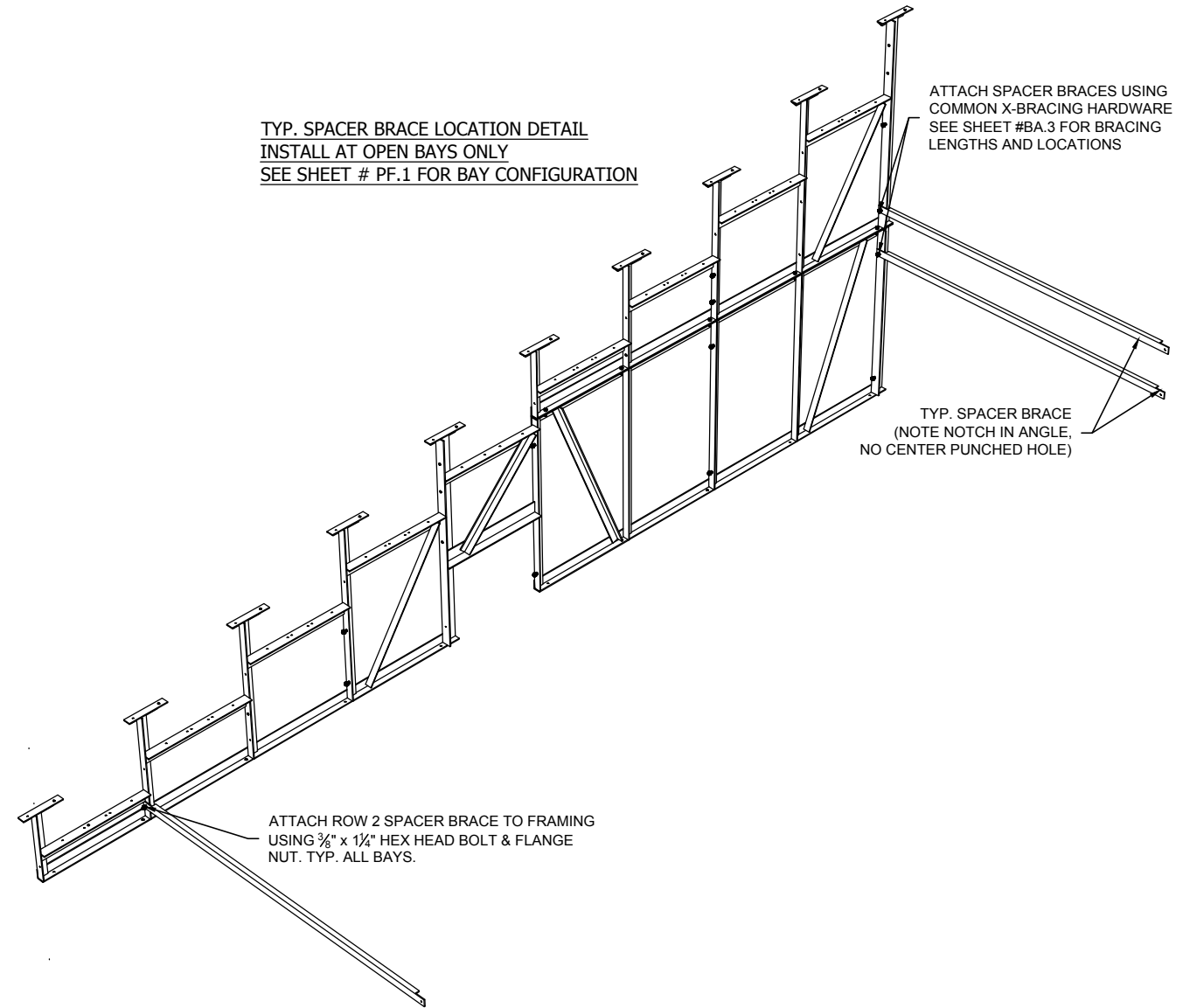
MODEL NUMBER: GS-1027ADC-A				
DESCRIPTION: NON-ELEV. 10 ROW 27'-0" BLEACHER PREP				
DRAWN BY: MME	DATE: 7/13/17	REVISION: 0	SCALE: N.T.S.	SHEET NUMBER: BA.1



TYP. X-BRACE LOCATION DETAIL
 INSTALL AT CLOSED BAYS ONLY
 SEE SHEET # PF.1 FOR BAY CONFIGURATION



TYP. SPACER BRACE LOCATION DETAIL
 INSTALL AT OPEN BAYS ONLY
 SEE SHEET # PF.1 FOR BAY CONFIGURATION

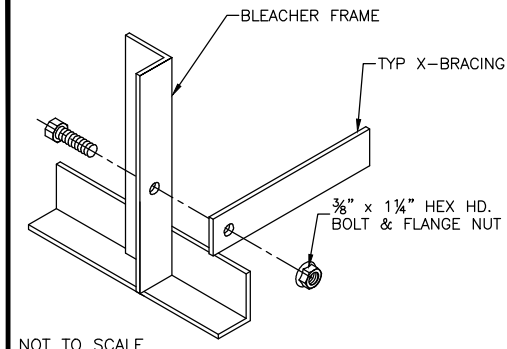


2810 Sydney Road
 Plant City, Florida 33566
 Phone: 813-305-1415
 Fax: 813-305-1419
 www.gtgrandstands.com

This drawing and all information contained herein is the property of NATIONAL RECREATION SYSTEMS, INC. and is not to be reproduced without the express written permission of this manufacturer. We assume no responsibility for unauthorized use of this drawing. NATIONAL RECREATION SYSTEMS, INC. is not responsible for local permits and occupancy requirements.

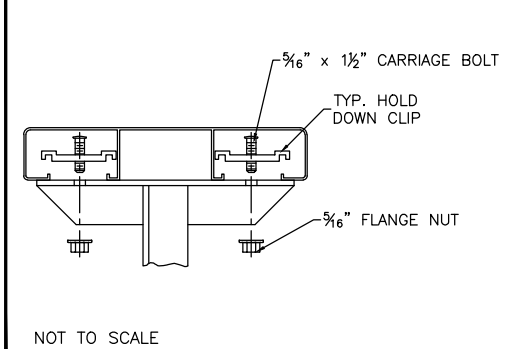
MODEL NUMBER: GS-1027ADC-A				
DESCRIPTION: NON-ELEV. 10 ROW 27'-0" BRACING LOCATION				
DRAWN BY: MME	DATE: 7/13/17	REVISION: 0	SCALE: N.T.S.	SHEET NUMBER: BA.2

⊕ TYP X-BRACE CONN. W/ 1 1/4 BOLT



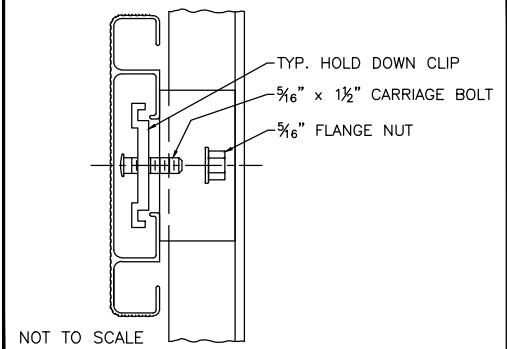
NOT TO SCALE

⊖ TYP 2x10 PLANK ATTACHMENT

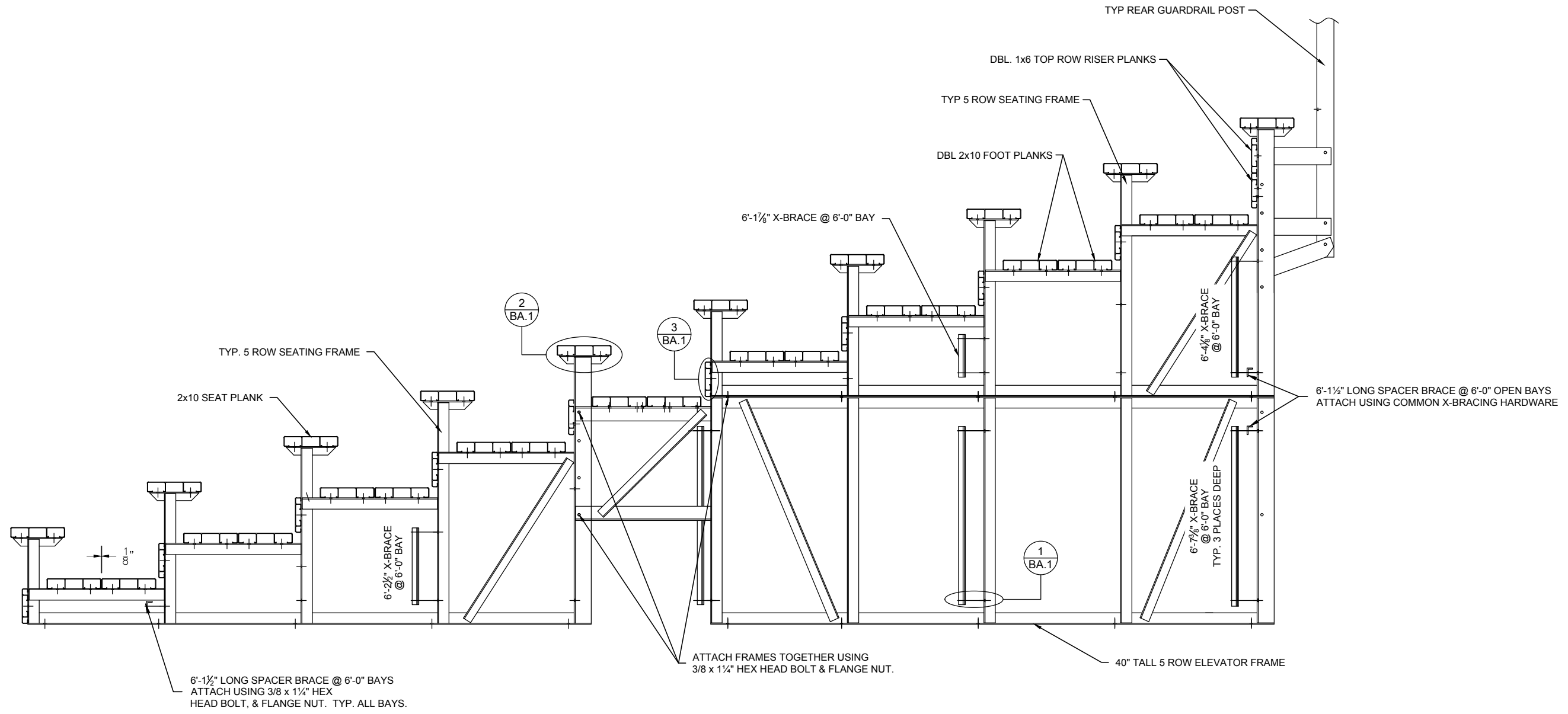


NOT TO SCALE

⊗ TYP 1x6 PLANK ATTACHMENT



NOT TO SCALE

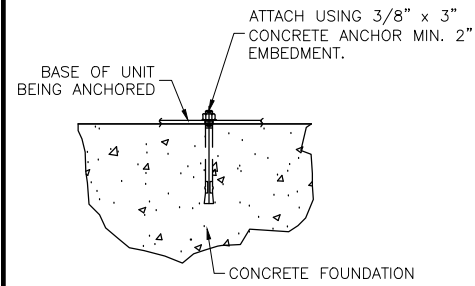


2810 Sydney Road
Plant City, Florida 33566
Phone: 813-305-1415
Fax: 813-305-1419
www.gtgrandstands.com

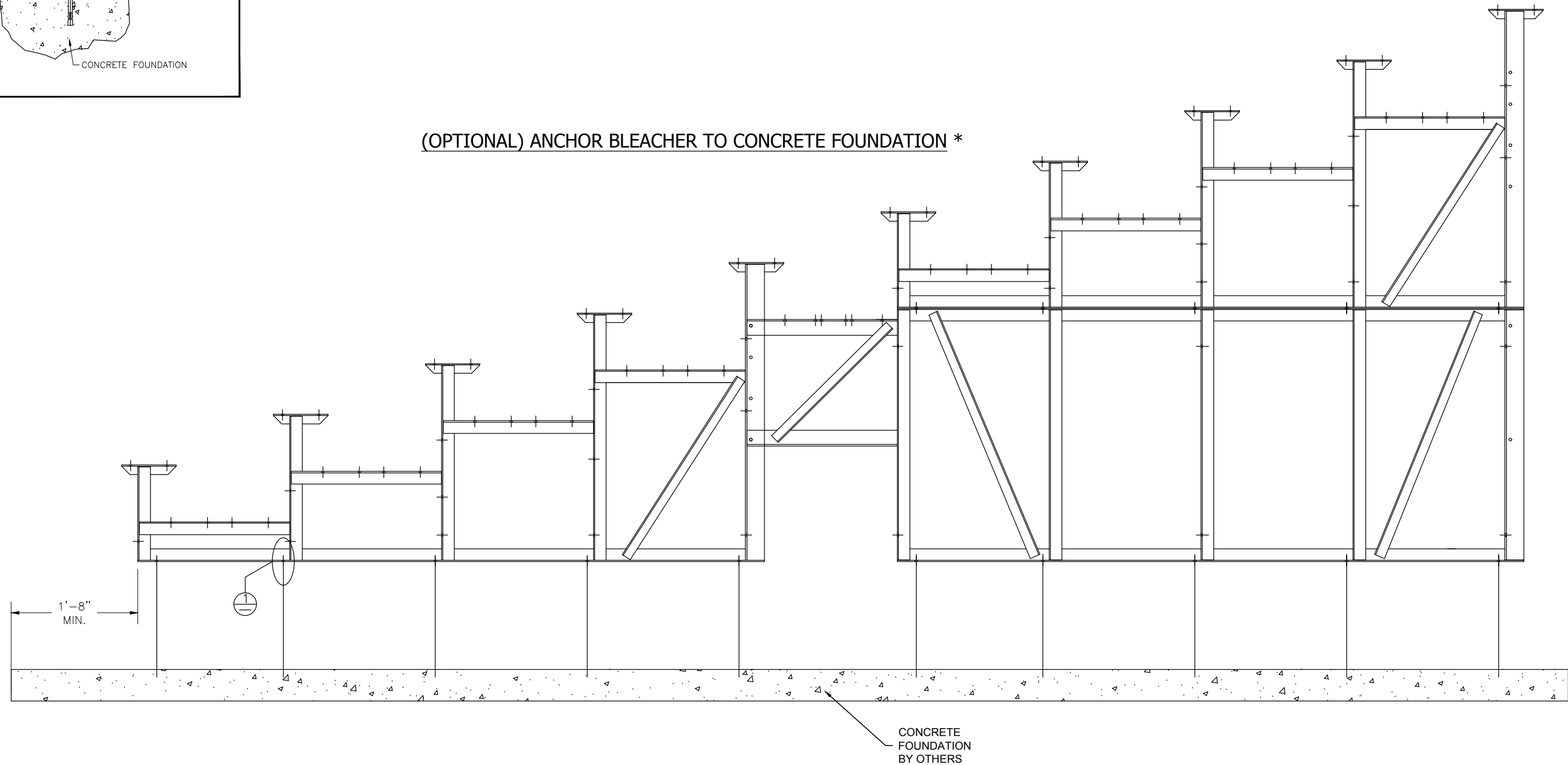
This drawing and all information contained herein is the property of NATIONAL RECREATION SYSTEMS, INC. and is not to be reproduced without the express written permission of this manufacturer. We assume no responsibility for unauthorized use of this drawing. NATIONAL RECREATION SYSTEMS, INC. is not responsible for local permits and occupancy requirements.

MODEL NUMBER: GS-1027ADC-A				
DESCRIPTION: NON-ELEV. 10 ROW 27'-0" ASSEMBLY SECTION VIEW				
DRAWN BY: MME	DATE: 7/13/17	REVISION: 0	SCALE: N.T.S.	SHEET NUMBER: BA.3

⊕ WEDGE ANCHOR DETAIL - 3"



(OPTIONAL) ANCHOR BLEACHER TO CONCRETE FOUNDATION *



* CONCRETE WEDGE ANCHORS NOT INCLUDED WITH ALL UNITS. IF USING OTHER ANCHORING SYSTEM, SKIP THIS STEP AND REFER TO INSTRUCTIONS SPECIFIC TO THE ANCHORING SYSTEM PURCHASED FOR YOUR UNIT. SEE PRINT FP.1 (INCLUDED IN THIS PACKET) FOR GENERAL CONCRETE FOUNDATION SPECIFICATIONS.



2810 Sydney Road
Plant City, Florida 33566
Phone: 813-305-1415
Fax: 813-305-1419
www.gtgrandstands.com

This drawing and all information contained herein is the property of NATIONAL RECREATION SYSTEMS, INC. and is not to be reproduced without the express written permission of this manufacturer. We assume no responsibility for unauthorized use of this drawing. NATIONAL RECREATION SYSTEMS, INC. is not responsible for local permits and occupancy requirements.

MODEL NUMBER: GS-1027ADC-A

DESCRIPTION: NON-ELEV. 10 ROW 27'-0" ANCHORING PLAN

DRAWN BY: MME

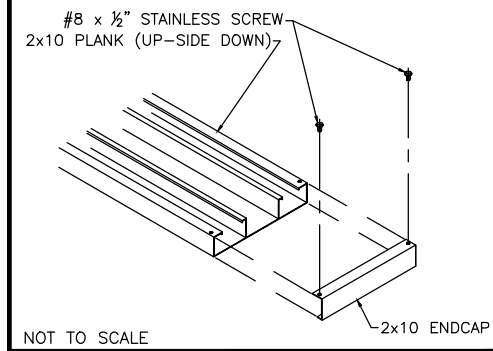
DATE: 7/13/17

REVISION: 0

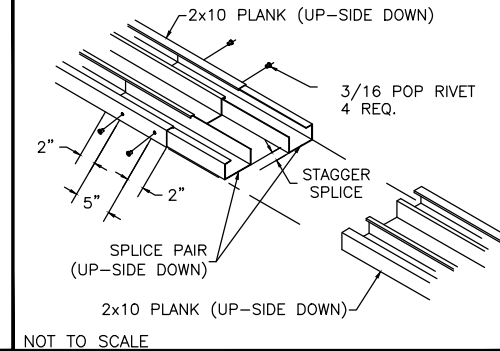
SCALE: N.T.S.

SHEET NUMBER: AP.1

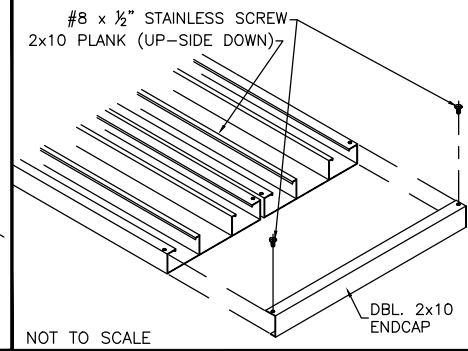
⊕ TYP 2x10 ENDCAP ATTACHMENT



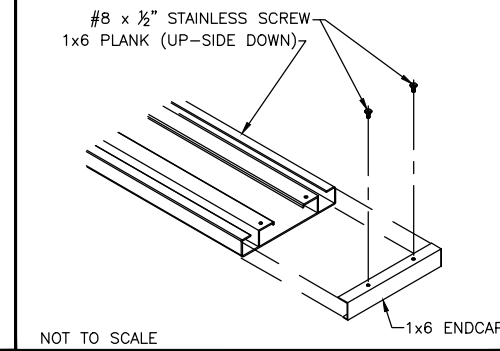
⊕ TYP 2x10 SPLICE CONN.



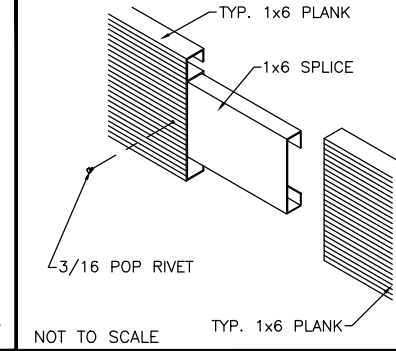
⊕ DBL. 2x10 ENDCAP ATTACHMENT



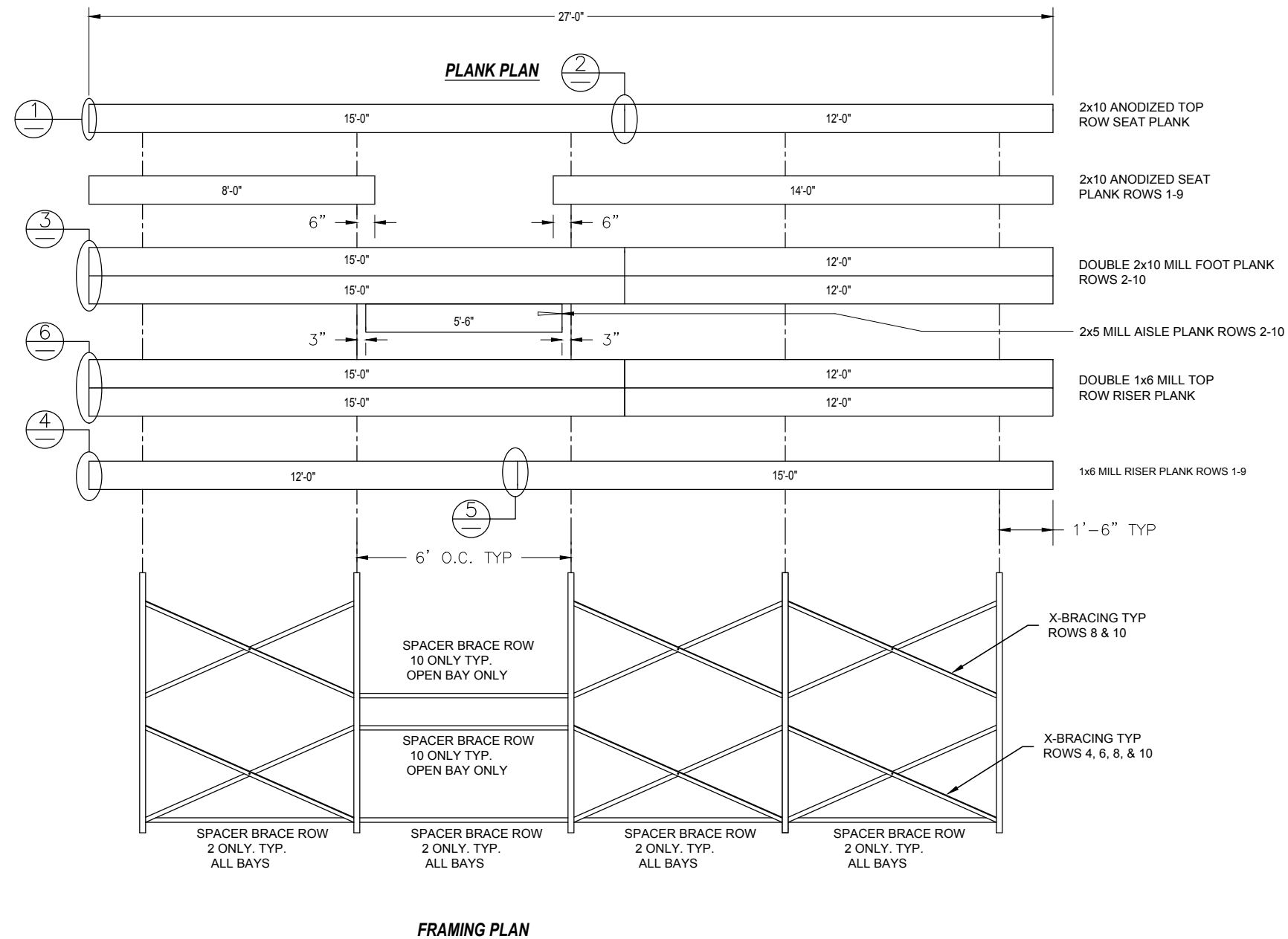
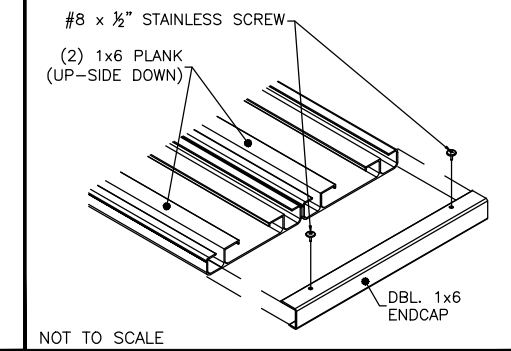
⊕ TYP 1x6 ENDCAP ATTACHMENT



⊕ TYP 1x6 SPLICE CONN.



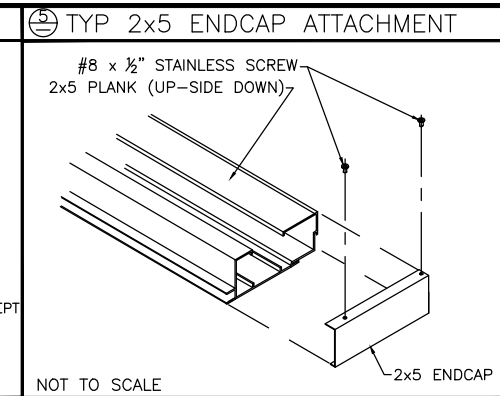
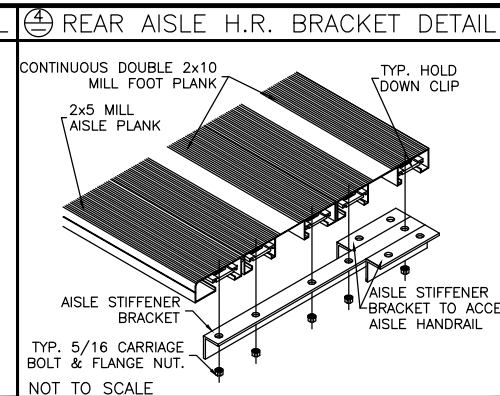
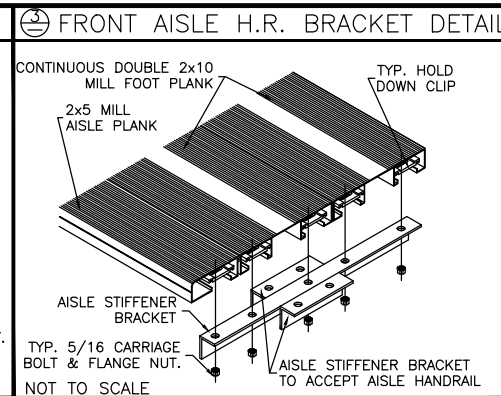
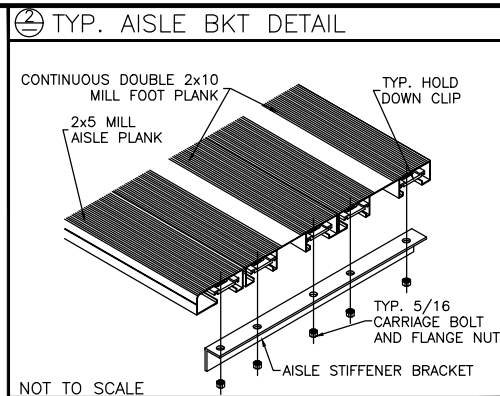
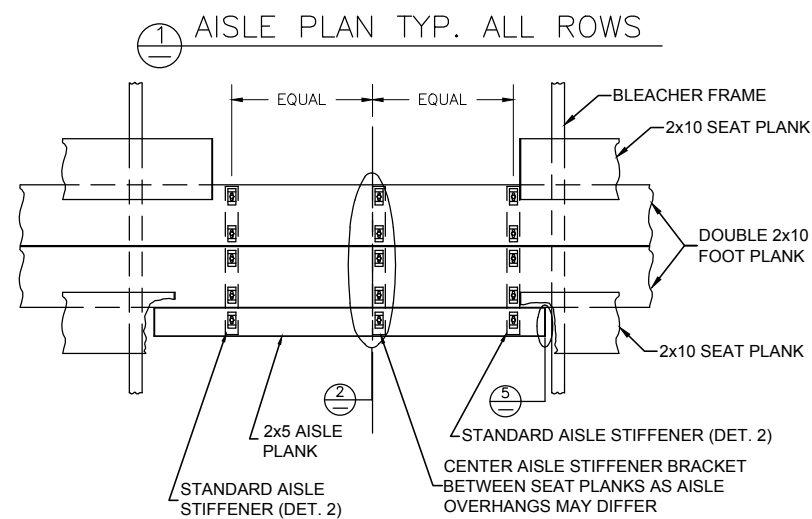
⊕ DBL. 1x6 ENDCAP ATTACHMENT



2810 Sydney Road
Plant City, Florida 33566
Phone: 813-305-1415
Fax: 813-305-1419
www.gtgrandstands.com

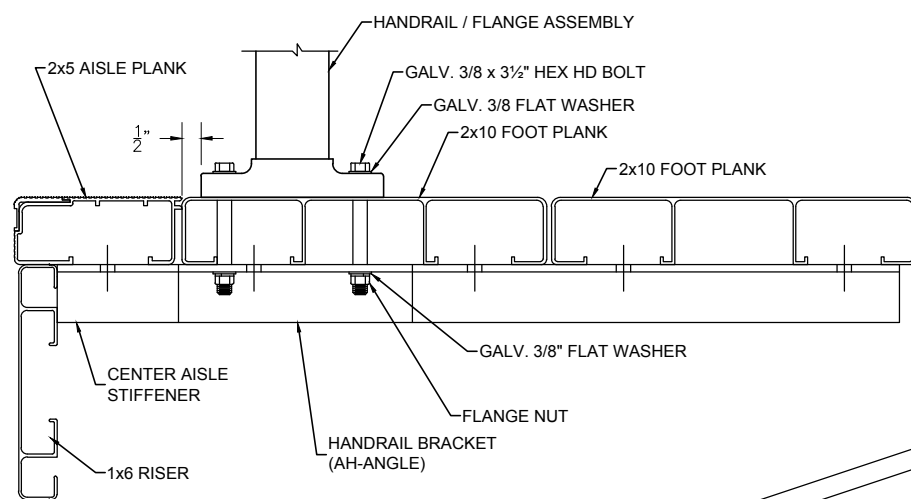
This drawing and all information contained herein is the property of NATIONAL RECREATION SYSTEMS, INC. and is not to be reproduced without the express written permission of this manufacturer. We assume no responsibility for unauthorized use of this drawing. NATIONAL RECREATION SYSTEMS, INC. is not responsible for local permits and occupancy requirements.

MODEL NUMBER: GS-1027ADC-A				
DESCRIPTION: NON-ELEV. 10 ROW 27'-0" PLANK AND FRAME PLANS				
DRAWN BY: MME	DATE: 7/13/17	REVISION: 0	SCALE: N.T.S.	SHEET NUMBER: PF.1



DETAIL A

FRONT HANDRAIL ASSEMBLY SHOWN
LOCATE OVER REAR FOOT PLANK FOR REAR ASSEMBLY



3 STEP AISLE HANDRAIL
TYP 1 PLS. PER AISLE
LOCATE OVER CENTER
AISLE STIFFENER

4 STEP AISLE HANDRAIL
TYP 1 PLS. PER AISLE
LOCATE OVER CENTER
AISLE STIFFENER

TYP 2 PLS.
PER AISLE
SEE DETAIL "A"

TYP 2 PLS.
PER AISLE
SEE DETAIL "A"

ALIGN EDGE OF FLANGE APPROX. 1/2" FROM THE LEADING EDGE OF THE FRONTMOST CONTINUOUS 2x10 FOOT PLANK (NOT THE 2x5 AISLE STEP PLANK). SLIGHTLY ADJUST FLANGE LOCATION, IF NECESSARY, SO THAT THE BOLT HOLE IS NOT DRILLED INTO A VERTICAL LEG OF THE PLANK. DRILL Ø7/16" HOLES (FOR 3/8" BOLT). ASSEMBLE AS SHOWN USING GALV. STEEL BOLTS, FLAT WASHERS & FLANGE NUTS.



2810 Sydney Road
Plant City, Florida 33566
Phone: 813-305-1415
Fax: 813-305-1419
www.gtgrandstands.com

This drawing and all information contained herein is the property of NATIONAL RECREATION SYSTEMS, INC. and is not to be reproduced without the express written permission of this manufacturer. We assume no responsibility for unauthorized use of this drawing. NATIONAL RECREATION SYSTEMS, INC. is not responsible for local permits and occupancy requirements.

MODEL NUMBER: GS-1027ADC-A

DESCRIPTION: NON-ELEV. 10 ROW 27'-0" VERTICAL AISLE ASSEMBLY

DRAWN BY: MME

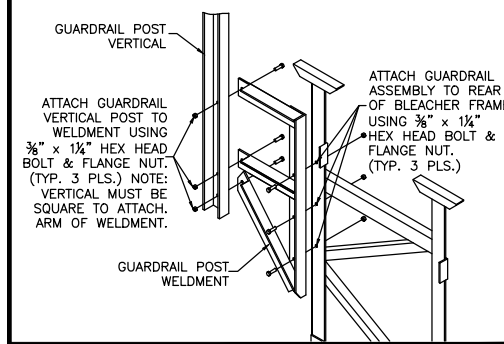
DATE: 7/13/17

REVISION: 0

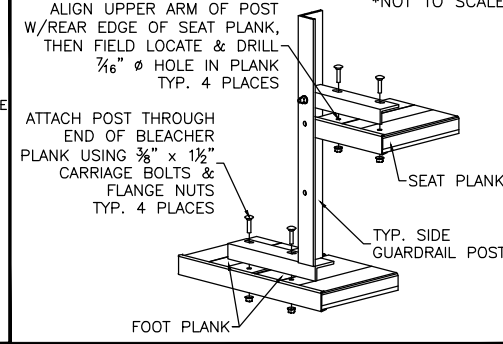
SCALE: N.T.S.

SHEET NUMBER: VA.1

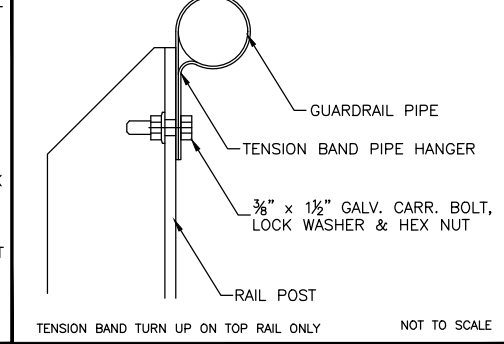
① REAR GUARDRAIL POST ATTACH.



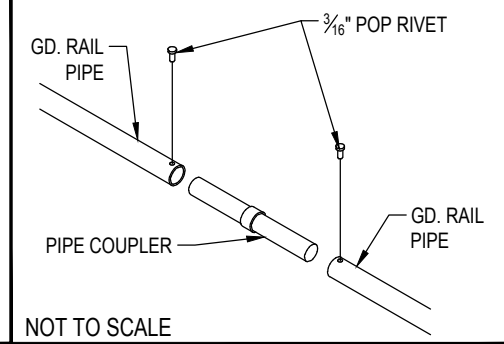
② SIDE GD. RAIL POST INSTALLATION



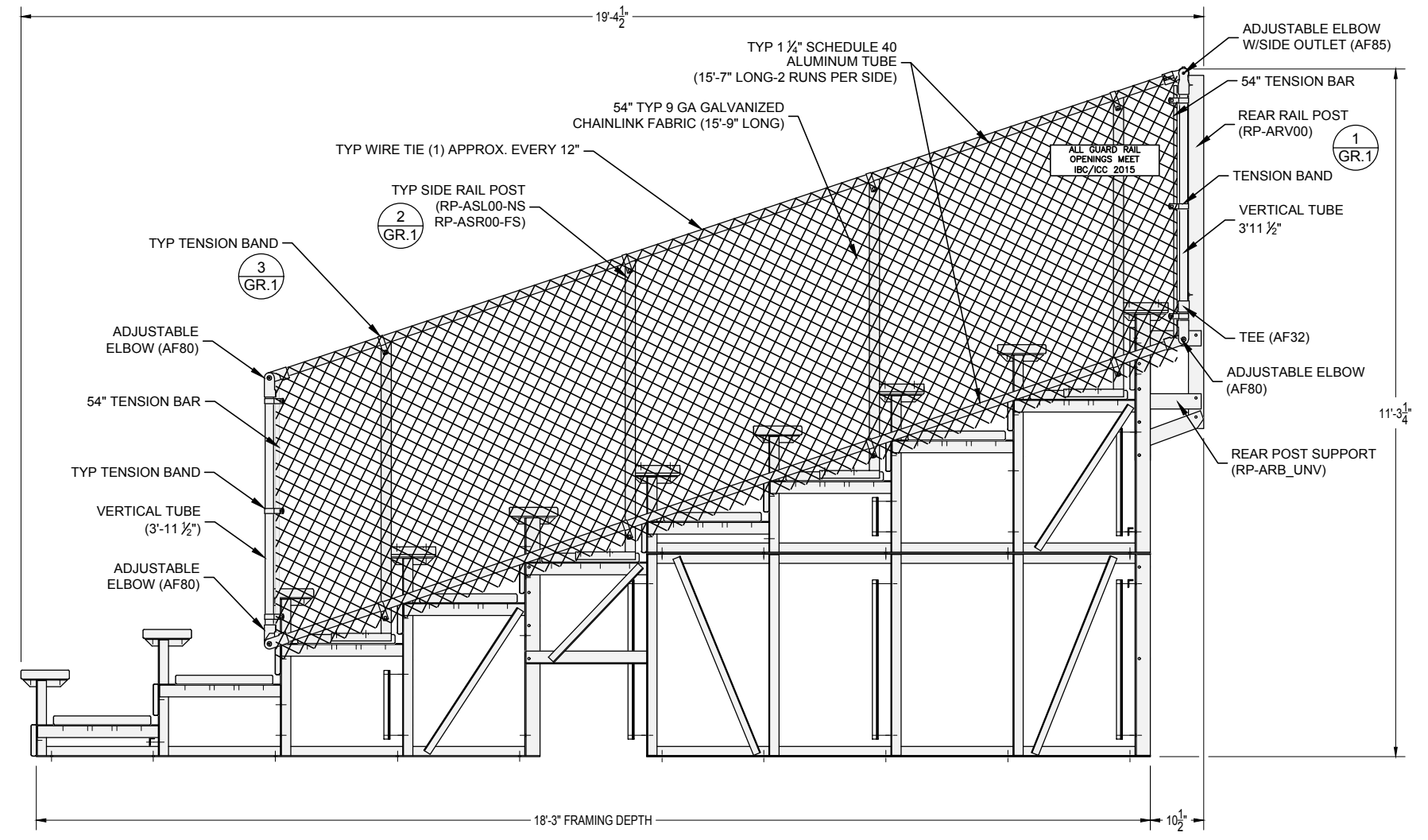
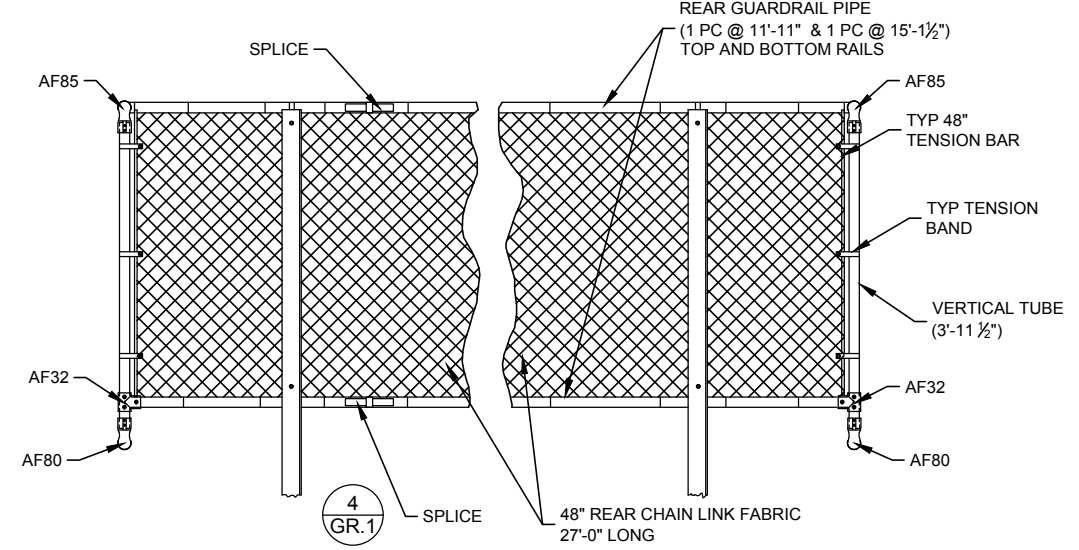
③ TENSION BAND ATTACHMENT



④ PIPE COUPLER INSTALLATION



REAR GUARDRAIL



2810 Sydney Road
Plant City, Florida 33566
Phone: 813-305-1415
Fax: 813-305-1419
www.gtgrandstands.com

This drawing and all information contained herein is the property of NATIONAL RECREATION SYSTEMS, INC. and is not to be reproduced without the express written permission of this manufacturer. We assume no responsibility for unauthorized use of this drawing. NATIONAL RECREATION SYSTEMS, INC. is not responsible for local permits and occupancy requirements.

MODEL NUMBER: GS-1027ADC-A				
DESCRIPTION: NON-ELEV. 10 ROW 27'-0" GUARDRAIL ASSEMBLY				
DRAWN BY: MME	DATE: 7/13/17	REVISION: 0	SCALE: N.T.S.	SHEET NUMBER: GR.1