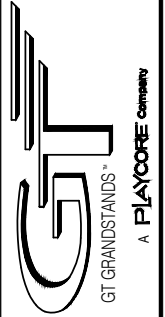


# GS-1027ADC-A-TK

## NON ELEVATED 10 ROW x 27'-0" TOWABLE BLEACHER

- CS.1 – COVER SHEET
- TD.1 – BLEACHER SEATING PLAN
- FP.1 – FOUNDATION PLAN
- BA.1 – BLEACHER FRAMING & CLIP PRE-ASSEMBLY
- BA.2 – BLEACHER BRACING LOCATION PLAN
- BA.3 – BLEACHER ASSEMBLY
- AP.1 – ANCHORING PLAN
- PF.1 – PLANK & FRAMING PLAN
- VA.1 – VERTICAL AISLE ASSEMBLY
- GR.1 – GUARDRAIL ASSEMBLY



2810 Sydney Road  
 Plant City, Florida 33566  
 Phone: 813-305-1415  
 Fax: 813-305-1419  
 www.gtgrandstands.com

A PLAYCORE COMPANY

COVER SHEET  
 10 ROW TOWABLE BLEACHER  
 8" RISE / 10" SEAT

GS-1027ADC-A-TK  
 OPTIONAL -MS (MUD SILL)

DRAWN BY  
 MME  
 CHECKED BY  
 TLC  
 DATE  
 12/01/2016  
 SCALE

JOB NO.  
 GS-1027ADC-A  
 DWG NO.

CS.1



SECTION LENGTH	GROSS SEATS	ACTUAL SEATS	NO. OF ROWS	NET SEATS
27	18.00	18.00	1	18
8	5.33	5.00	9	45
14	9.33	9.00	9	81
<b>NET SEATS</b>				<b>144</b>
<b>WHEELCHAIR SPACES</b>				<b>0</b>
<b>TOTAL NET SEATING CAPACITY</b>				<b>144</b>
<b>(BASED ON 18" PER SEAT)</b>				



2810 Sydney Road  
 Plant City, Florida 33566  
 Phone: 813-305-1415  
 Fax: 813-305-1419  
 www.gtgrandstands.com



SEATING PLAN  
 10 ROW TOWABLE BLEACHER  
 8" RISE / 10" SEAT

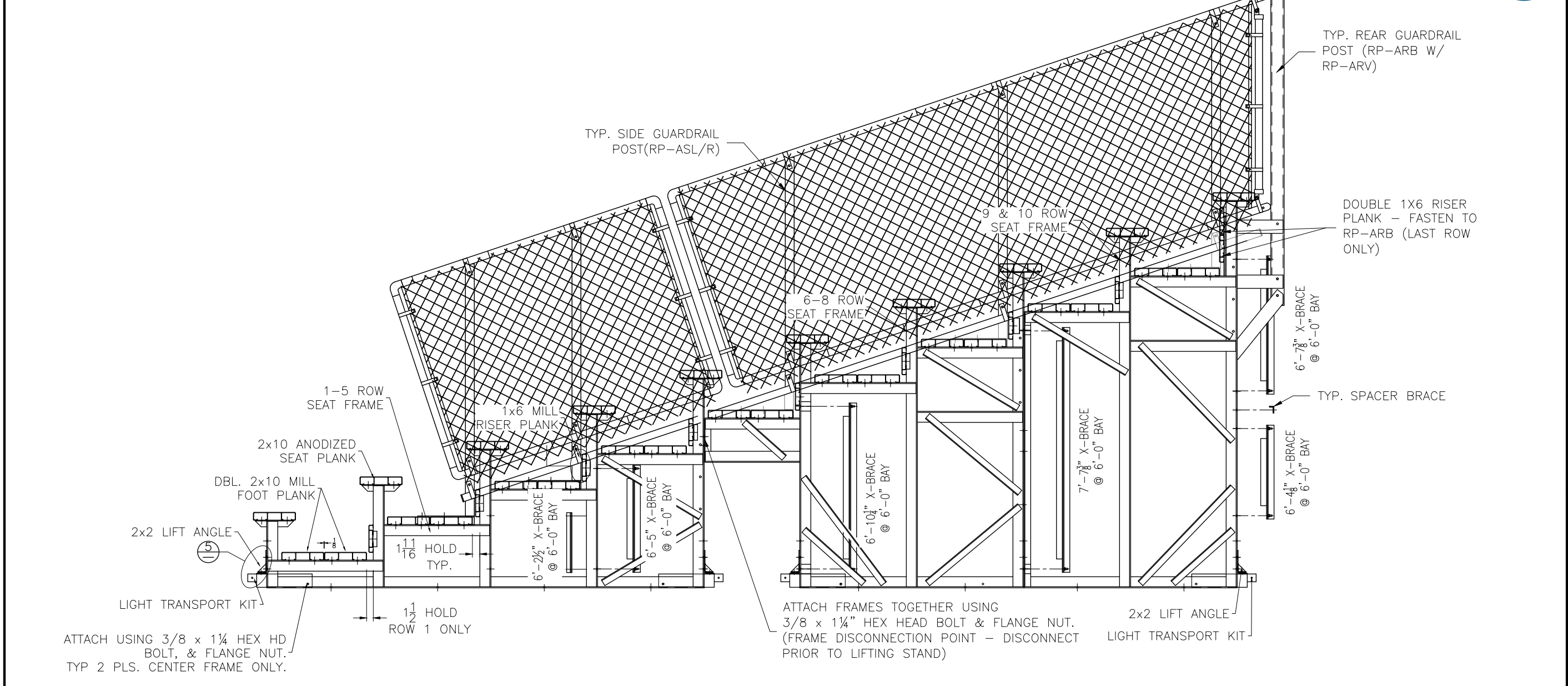
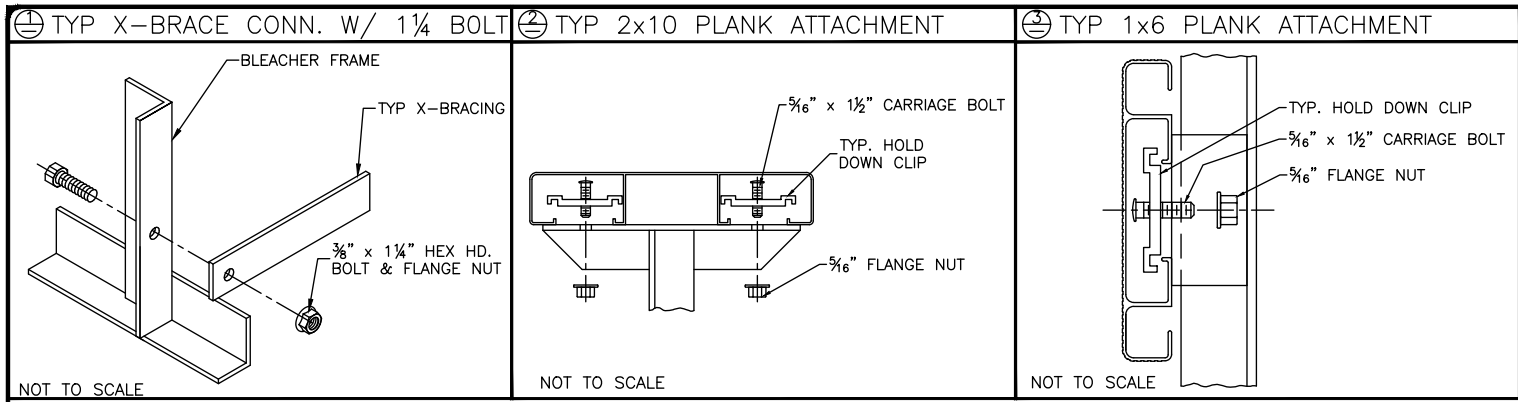
GS-1027ADC-A-TK  
 OPTIONAL -MS (MUD SILL)

DRAWN BY  
 MME  
 CHECKED BY  
 TLC  
 DATE  
 12/01/2016  
 SCALE  
 NTS  
 JOB NO.

GS-1027ADC-A  
 DWG NO.

TD.1

L:\Standard Models\GS-10xxADC-A-TK and GS-10xxGDC-A-TK (-MS)\GS-1027ADC-A-TK.dwg, 5/25/2017 9:16:40 AM, \_AutoCAD PDF (High Quality Print).pc3, GOB



**ASSEMBLED SECTION**



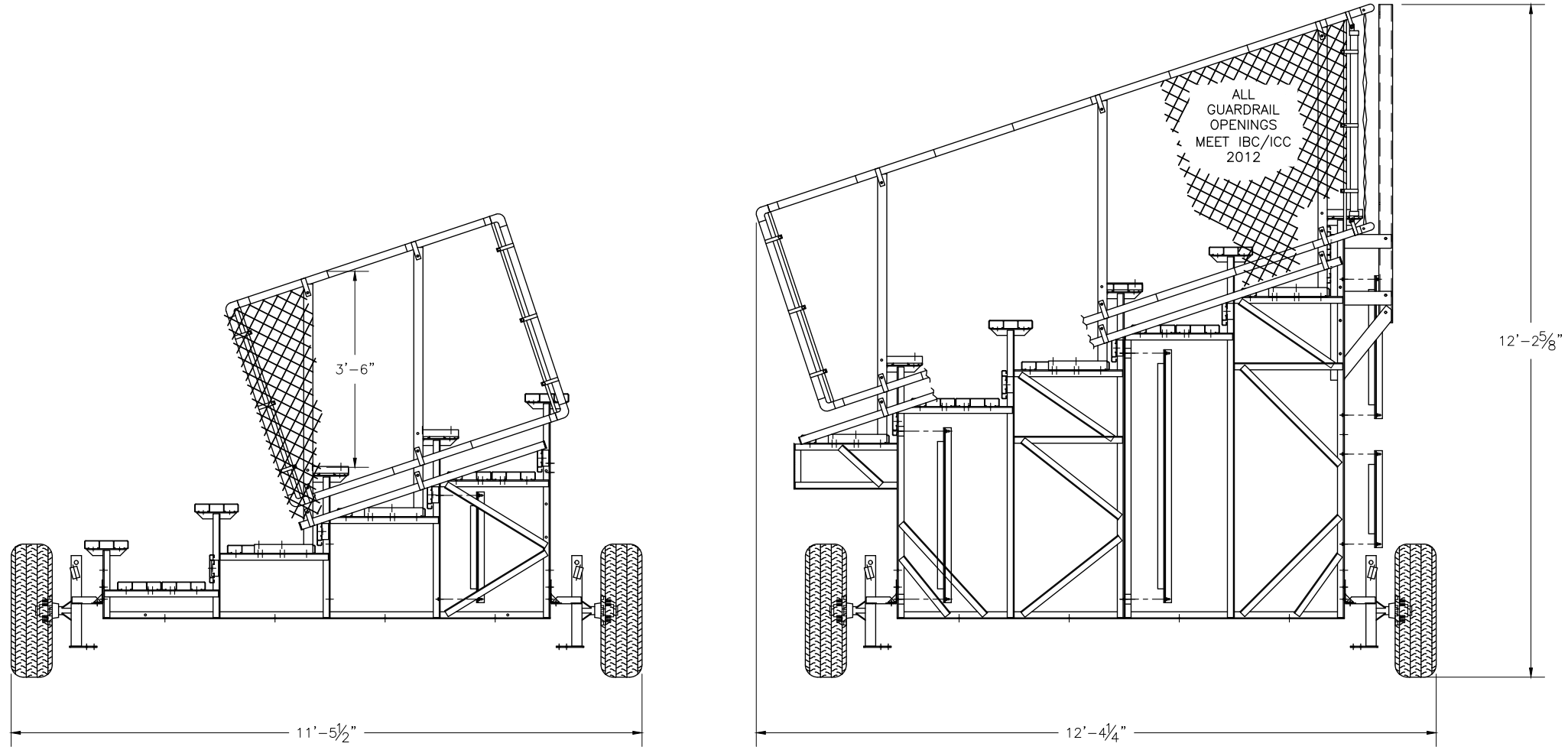
2810 Sydney Road  
Plant City, Florida 33566  
Phone: 813-305-1415  
Fax: 813-305-1419  
www.gtgrandstands.com



**BLEACHER ASSEMBLY**  
**10 ROW TOWABLE BLEACHER**  
**8" RISE / 10" SEAT**

**GS-1027ADC-A-TK**  
**OPTIONAL -MS (MUD SILL)**

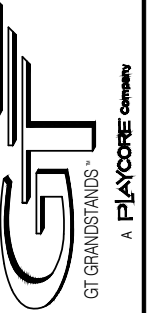
DRAWN BY MME
CHECKED BY TLC
DATE 12/01/2016
SCALE
JOB NO.
GS-1027ADC-A
DWG NO.
<b>BA.3</b>



**TOWABLE SECTION**



2810 Sydney Road  
 Plant City, Florida 33566  
 Phone: 813-305-1415  
 Fax: 813-305-1419  
 www.gtgrandstands.com



MOVABLE UNIT ELEVATIONS  
 10 ROW TOWABLE BLEACHER  
 8" RISE / 10" SEAT

GS-1027ADC-A-TK  
 OPTIONAL -MS (MUD SILL)

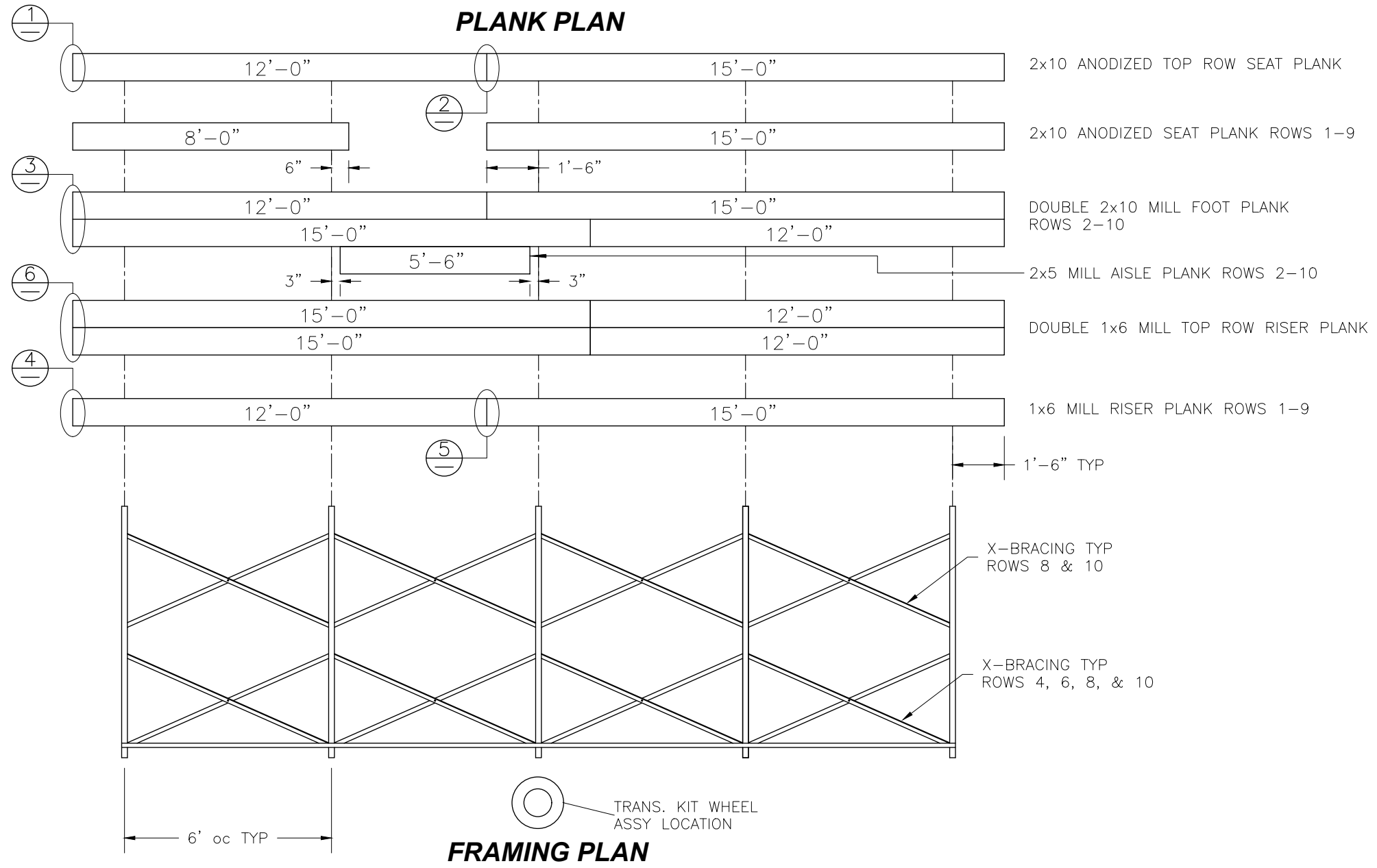
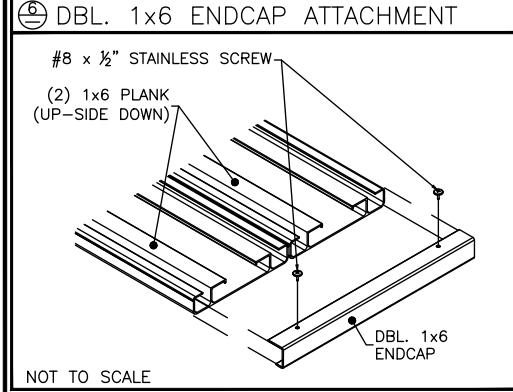
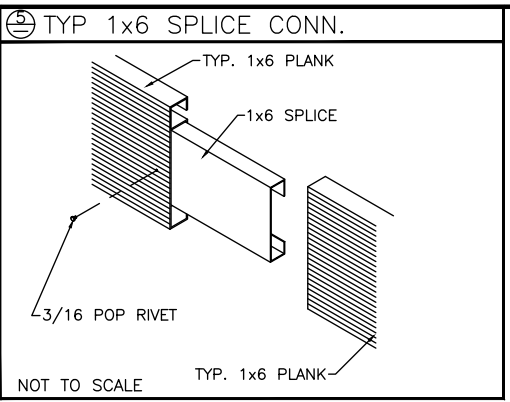
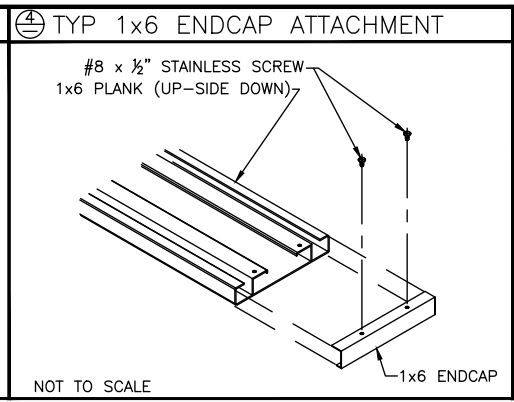
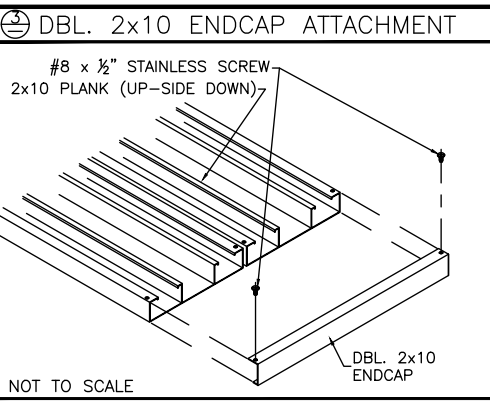
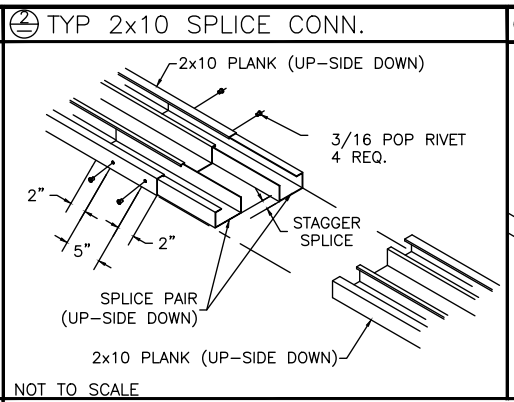
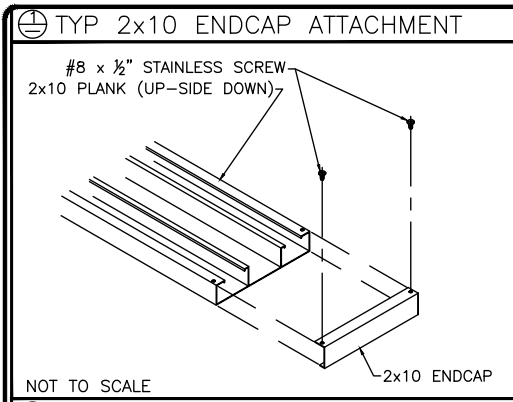
DRAWN BY  
 MME  
 CHECKED BY  
 TLC  
 DATE  
 12/01/2016  
 SCALE

JOB NO.

GS-1027ADC-A  
 DWG NO.

BA.1

L:\Standard Models\GS-10xxADC-A-TK and GS-10xxGDC-A-TK (-MS)\GS-1027ADC-A-TK.dwg, 5/25/2017 9:16:50 AM, \_AutoCAD PDF (High Quality Print).pc3, GOB



2810 Sydney Road  
Plant City, Florida 33566  
Phone: 813-305-1415  
Fax: 813-305-1419  
www.gtgrandstands.com



**PLANK & FRAMING PLAN**  
10 ROW TOWABLE BLEACHER  
8" RISE / 10" SEAT

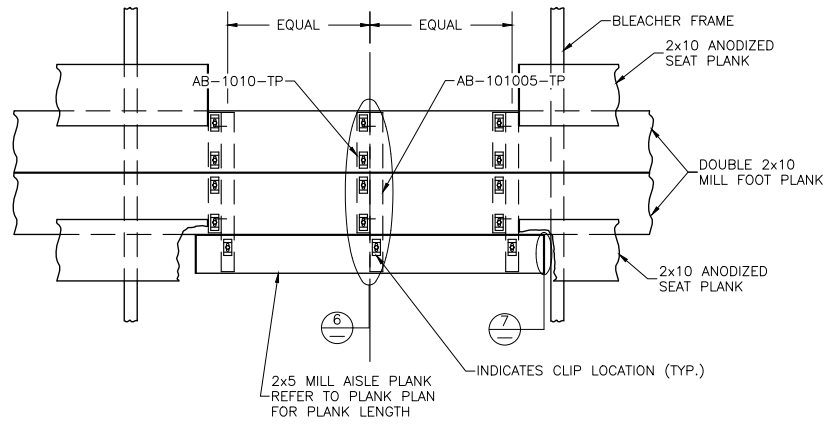
GS-1027ADC-A-TK  
OPTIONAL -MS (MUD SILL)

DRAWN BY MME
CHECKED BY TLC
DATE 12/01/2016
SCALE
JOB NO.
GS-1027ADC-A
DWG NO.
PF.1

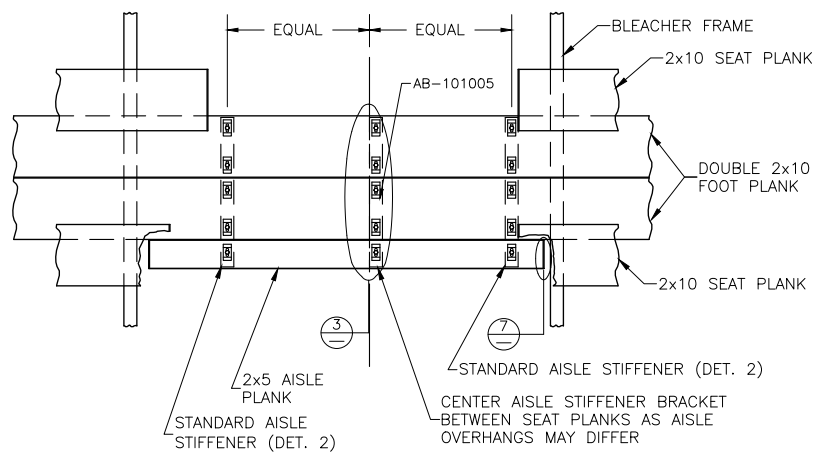


L:\Standard Models\GS-10xADC-A-TK and GS-10xADC-A-TK (-MS)\GS-1027ADC-A-TK.dwg, 5/25/2017 9:16:55 AM, \_AutoCAD PDF (High Quality Print).pc3, GOB

① AISLE PLAN @ ROW 6

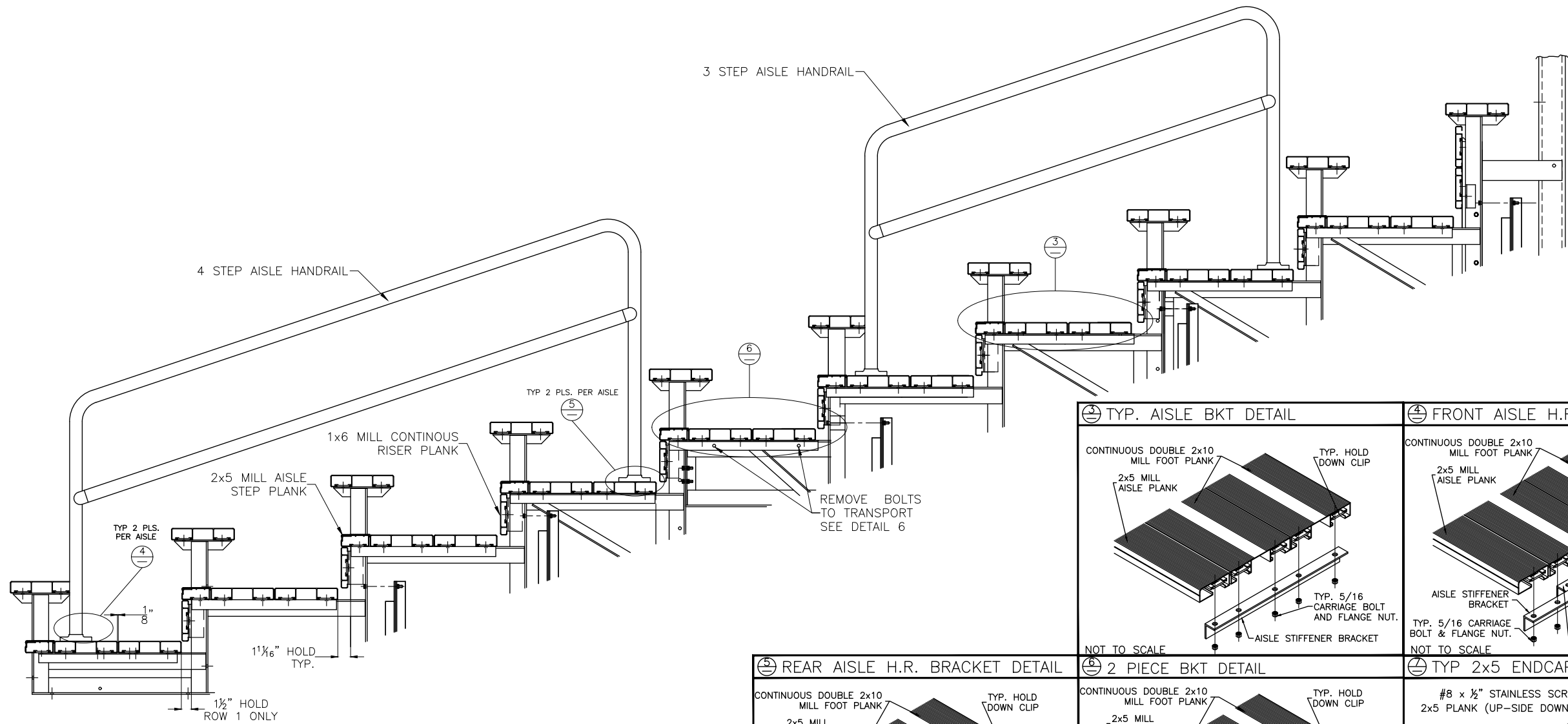
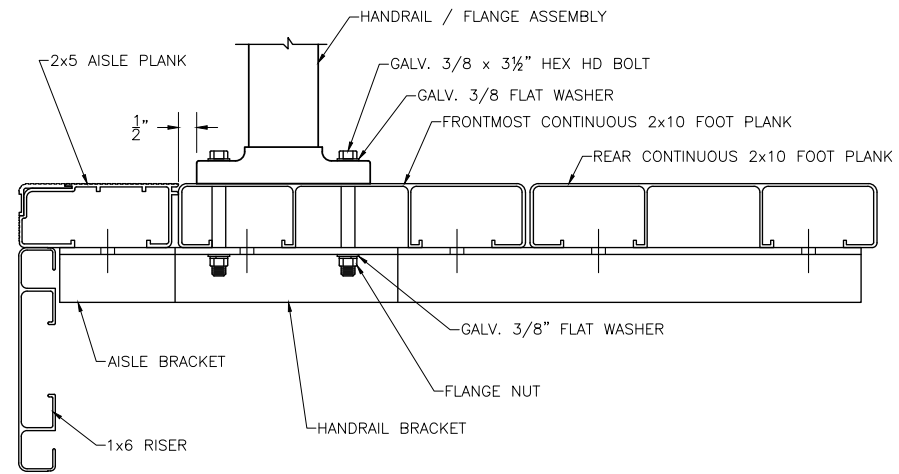


② AISLE PLAN @ ROW 2-5 & 7-10

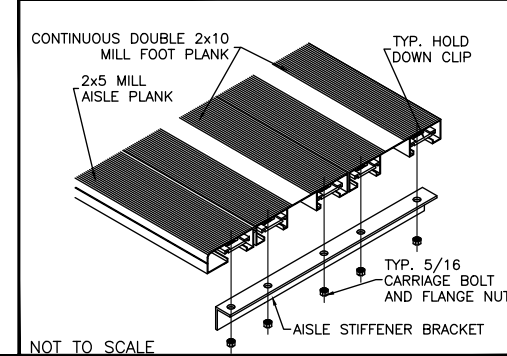


DETAIL A

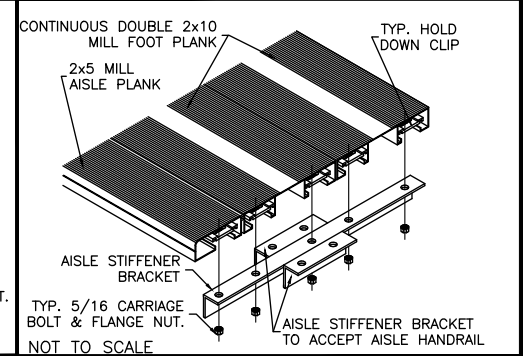
FRONT HANDRAIL ASSEMBLY SHOWN  
LOCATE OVER REAR FOOT PLANK FOR REAR ASSEMBLY



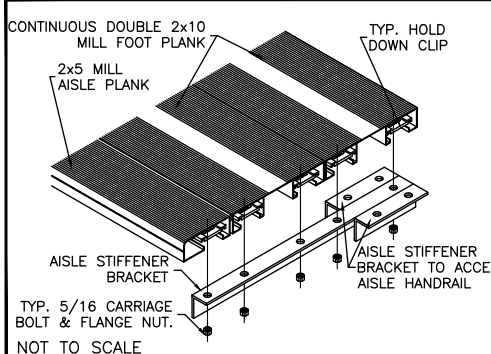
③ TYP. AISLE BKT DETAIL



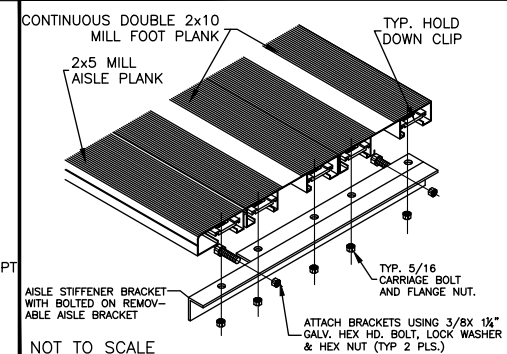
④ FRONT AISLE H.R. BRACKET DETAIL



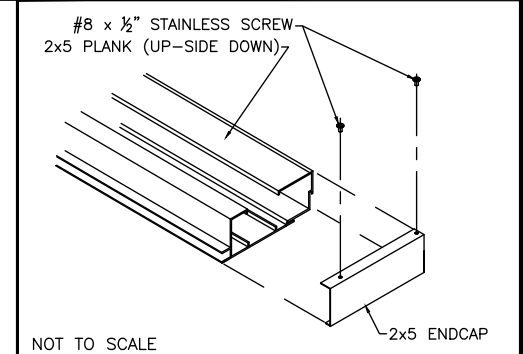
⑤ REAR AISLE H.R. BRACKET DETAIL



⑥ 2 PIECE BKT DETAIL



⑦ TYP 2x5 ENDCAP ATTACHMENT



2810 Sydney Road  
Plant City, Florida 33566  
Phone: 813-305-1415  
Fax: 813-305-1419  
www.gtgrandstands.com

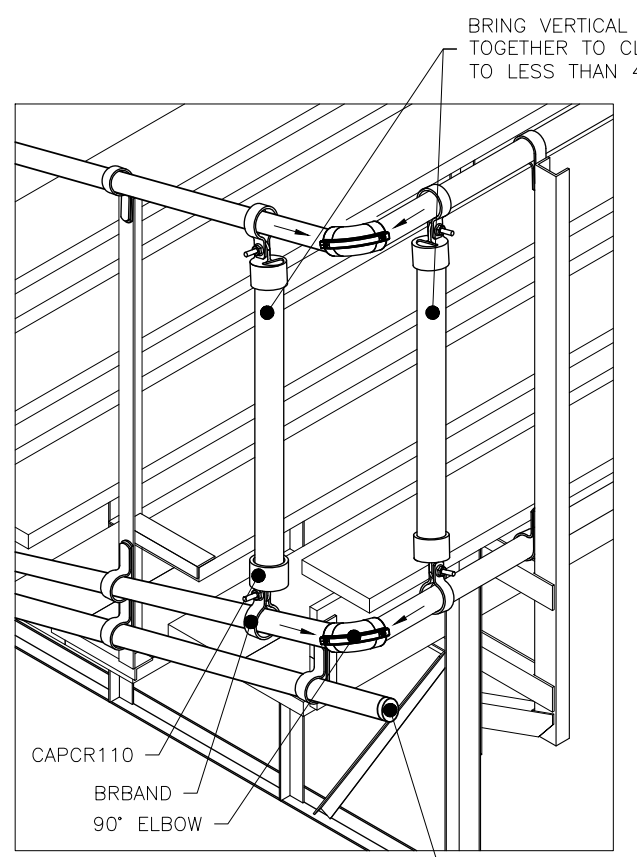
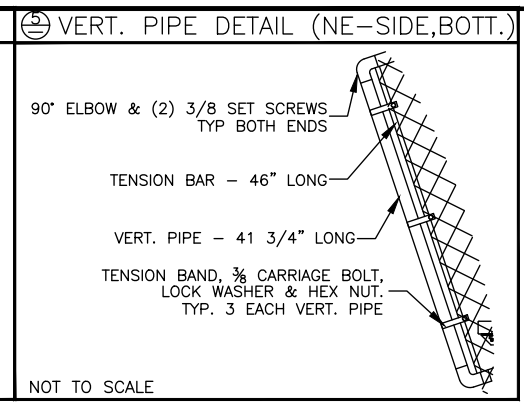
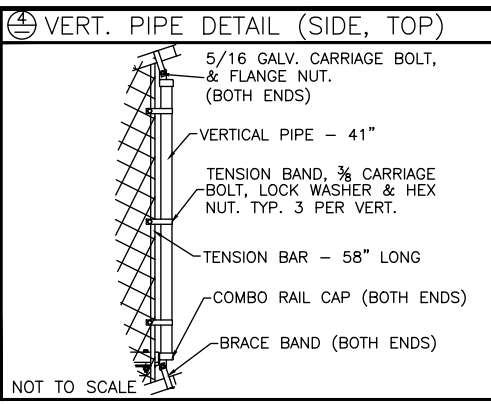
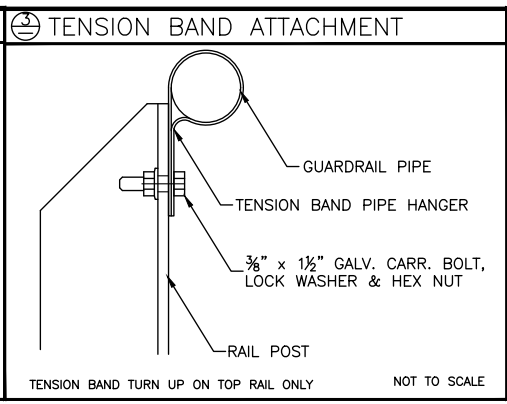
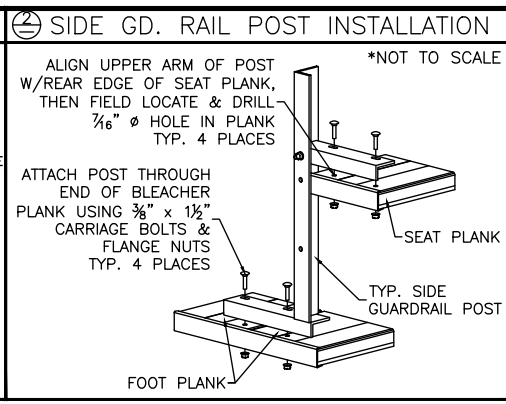
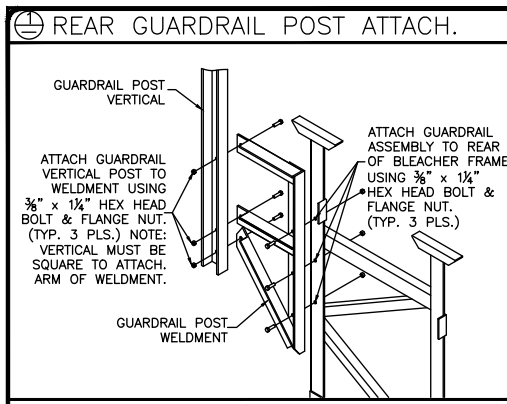


VERTICAL AISLE ASSEMBLY  
10 ROW TOWABLE BLEACHER  
8" RISE / 10" SEAT

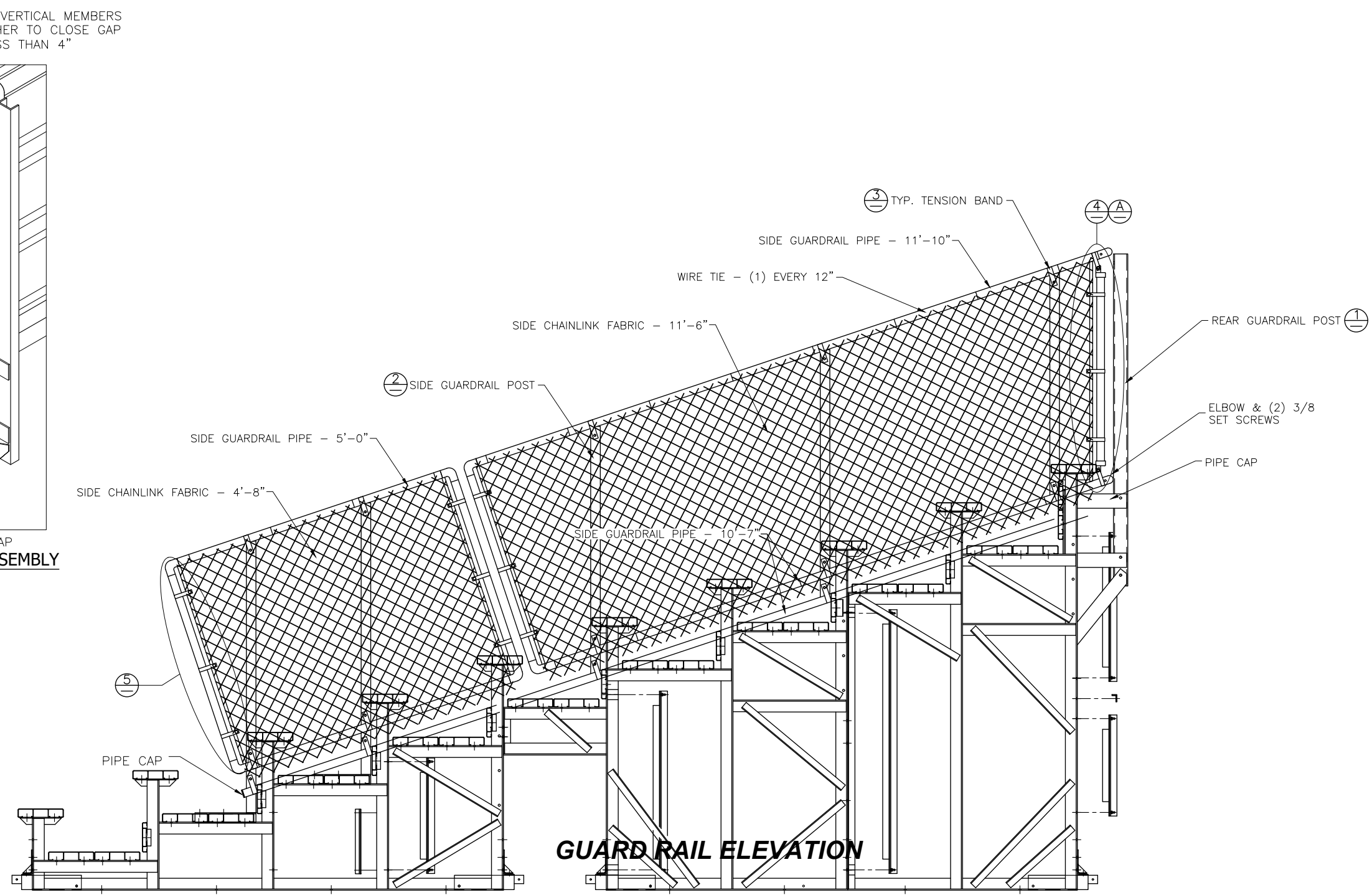
GS-1027ADC-A-TK  
OPTIONAL -MS (MUD SILL)

DRAWN BY  
MME  
CHECKED BY  
TLC  
DATE  
12/01/2016  
SCALE  
JOB NO.  
GS-1027ADC-A  
DWG NO.  
VA.1

L:\Standard Models\GS-10xxADC-A-TK and GS-10xxGDC-A-TK (-MS)\GS-1027ADC-A-TK.dwg, 5/25/2017 9:17:00 AM, \_AutoCAD PDF (High Quality Print).pc3, GOB



DETAIL "A" - REAR CORNER GUARDRAIL ASSEMBLY



GUARD RAIL ELEVATION



2810 Sydney Road  
Plant City, Florida 33566  
Phone: 813-305-1415  
Fax: 813-305-1419  
www.gtgrandstands.com



GUARDRAIL ASSEMBLY  
10 ROW TOWABLE BLEACHER  
8" RISE / 10" SEAT

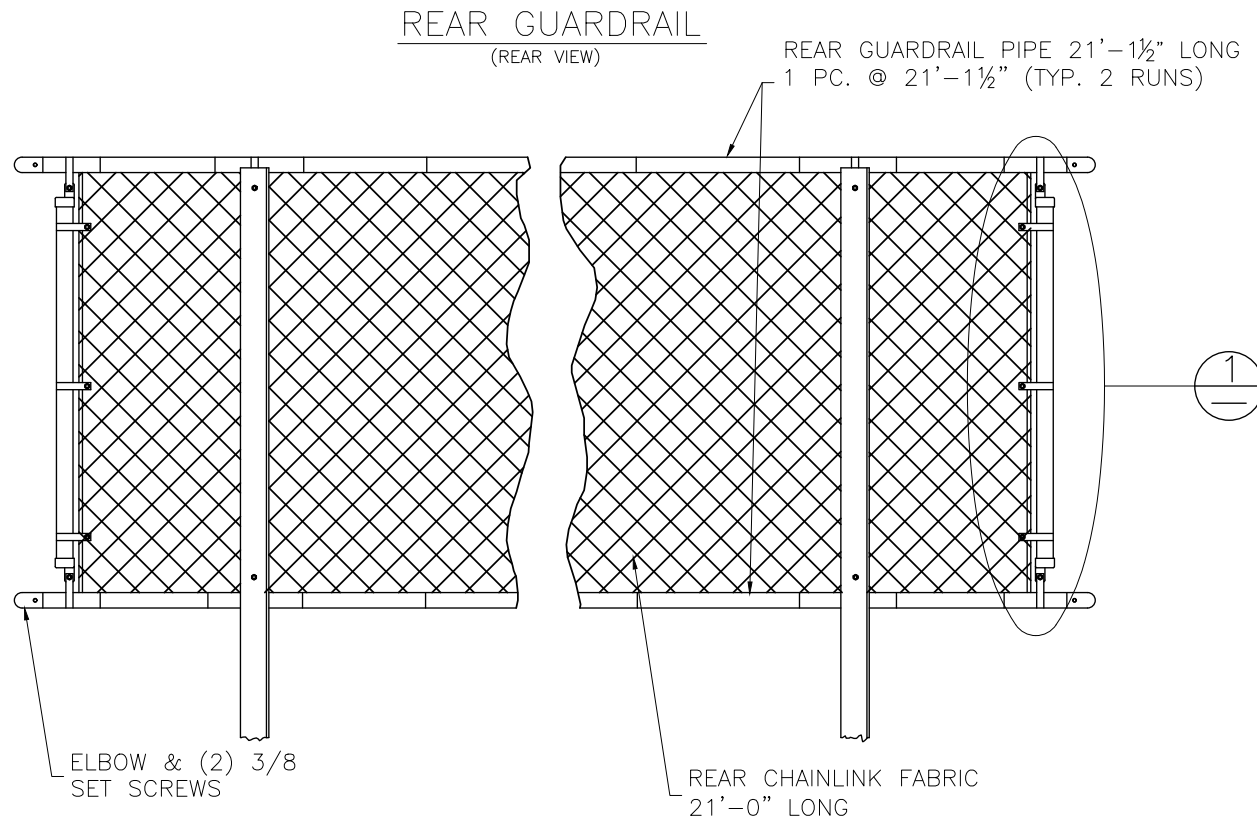
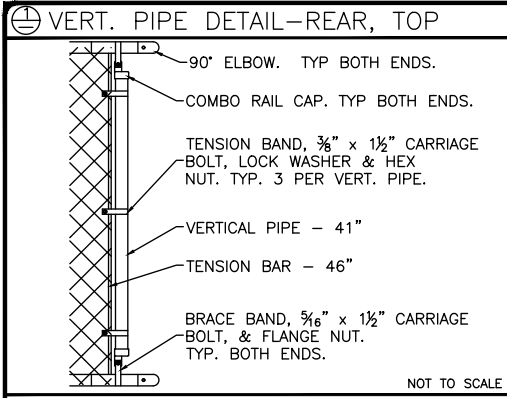
GS-1027ADC-A-TK  
OPTIONAL -MS (MUD SILL)

DRAWN BY  
MME  
CHECKED BY  
TLC  
DATE  
12/01/2016  
SCALE  
JOB NO.

GS-1027ADC-A  
DWG NO.

GR.1

L:\Standard Models\GS-10xxADC-A-TK and GS-10xxGDC-A-TK (-MS)\GS-1027ADC-A-TK.dwg, 5/25/2017 9:17:05 AM, \_AutoCAD PDF (High Quality Print).pc3,  
 GOB



2810 Sydney Road  
 Plant City, Florida 33566  
 Phone: 813-305-1415  
 Fax: 813-305-1419  
 www.gtgrandstands.com

GT  
 GT GRANDSTANDS™  
 A PLAYCORE Company

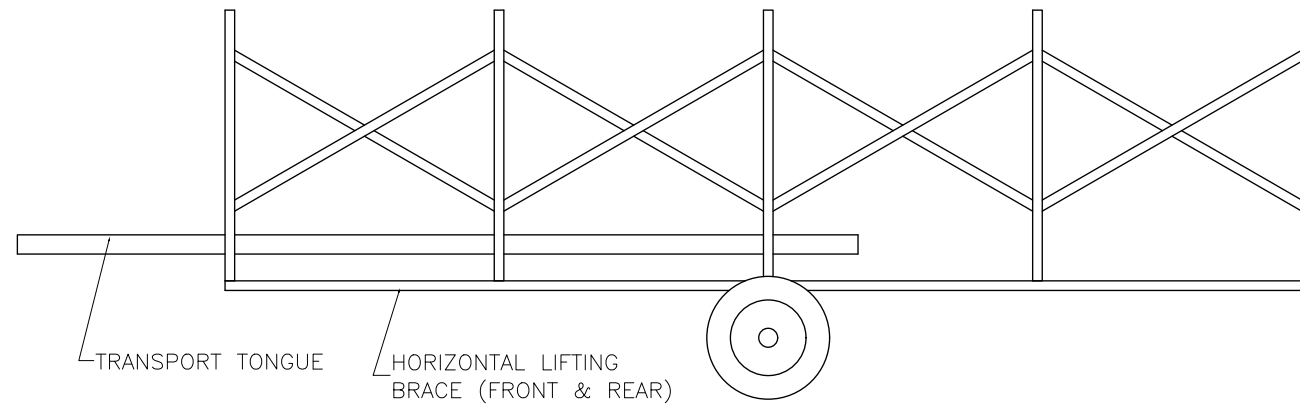
GUARDRAIL ASSEMBLY  
 10 ROW TOWABLE BLEACHER  
 8" RISE / 10" SEAT

GS-1027ADC-A-TK  
 OPTIONAL -MS (MUD SILL)

DRAWN BY MME
CHECKED BY TLC
DATE 12/01/2016
SCALE
JOB NO.
GS-1027ADC-A
DWG NO. GR.2

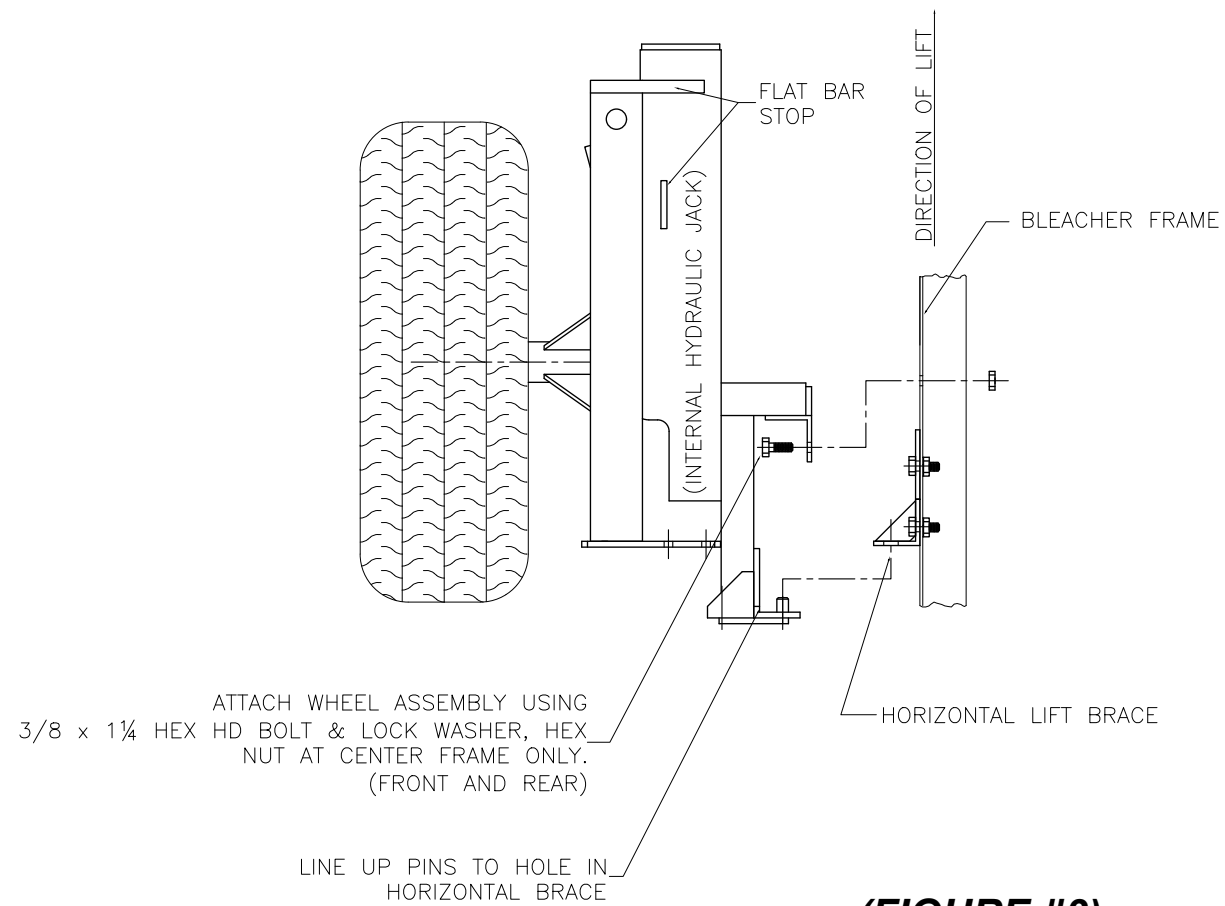


**WHEEL LOCATION**



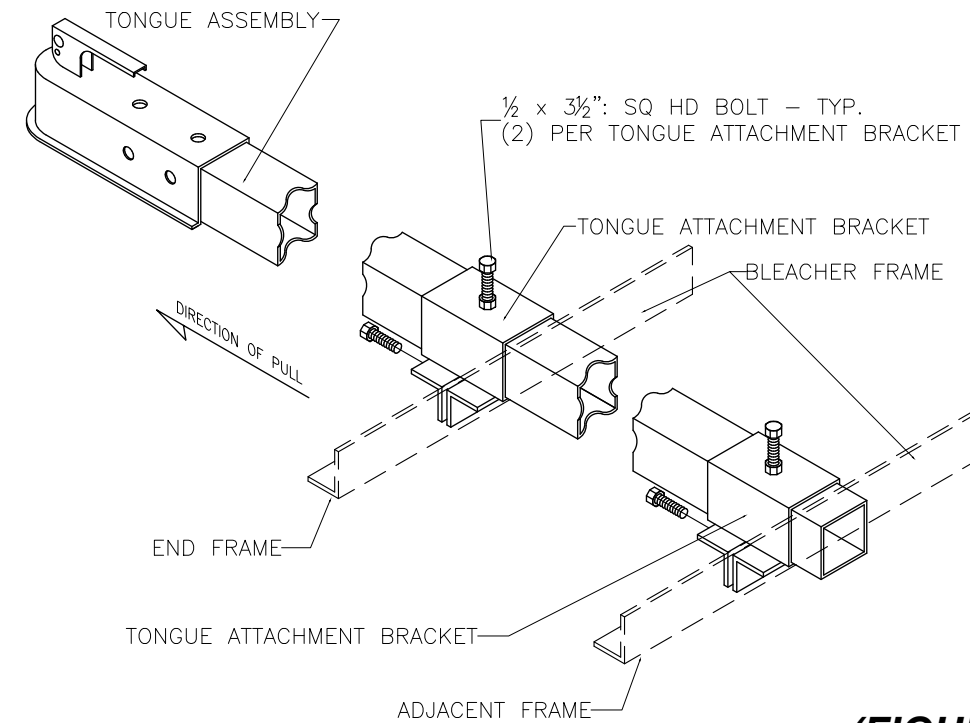
**(FIGURE #2)**

**TRANSPORT WHEEL ASSEMBLY**



**(FIGURE #3)**

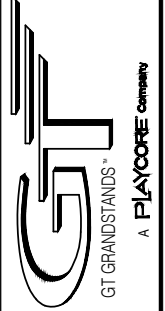
**TONGUE ASSEMBLY**



**(FIGURE #1)**



2810 Sydney Road  
 Plant City, Florida 33566  
 Phone: 813-305-1415  
 Fax: 813-305-1419  
 www.gtgrandstands.com



TOWABLE DETAILS  
 10 ROW TOWABLE BLEACHER  
 8" RISE / 10" SEAT

GS-1027ADC-A-TK  
 OPTIONAL -MS (MUD SILL)

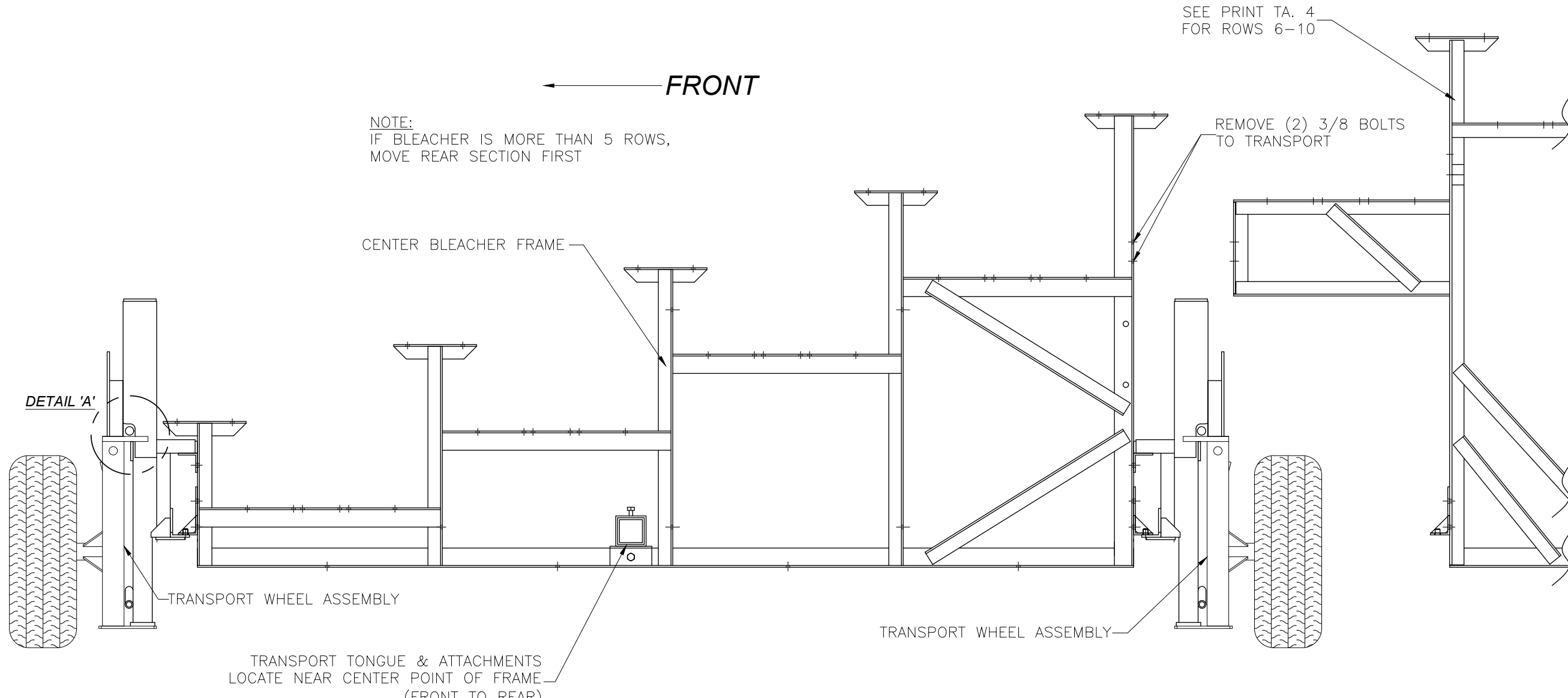
DRAWN BY  
 MME  
 CHECKED BY  
 TLC  
 DATE  
 12/01/2016  
 SCALE

JOB NO.  
 GS-1027ADC-A

DWG NO.  
 TP.1

L:\Standard Models\GS-10xxADC-A-TK and GS-10xxGDC-A-TK (-MS)\GS-1027ADC-A-TK.dwg, 5/25/2017 9:17:15 AM, \_AutoCAD PDF (High Quality Print).pc3,  
GOB

# ROWS 1-5



2810 Sydney Road  
Plant City, Florida 33566  
Phone: 813-305-1415  
Fax: 813-305-1419  
www.gtgrandstands.com

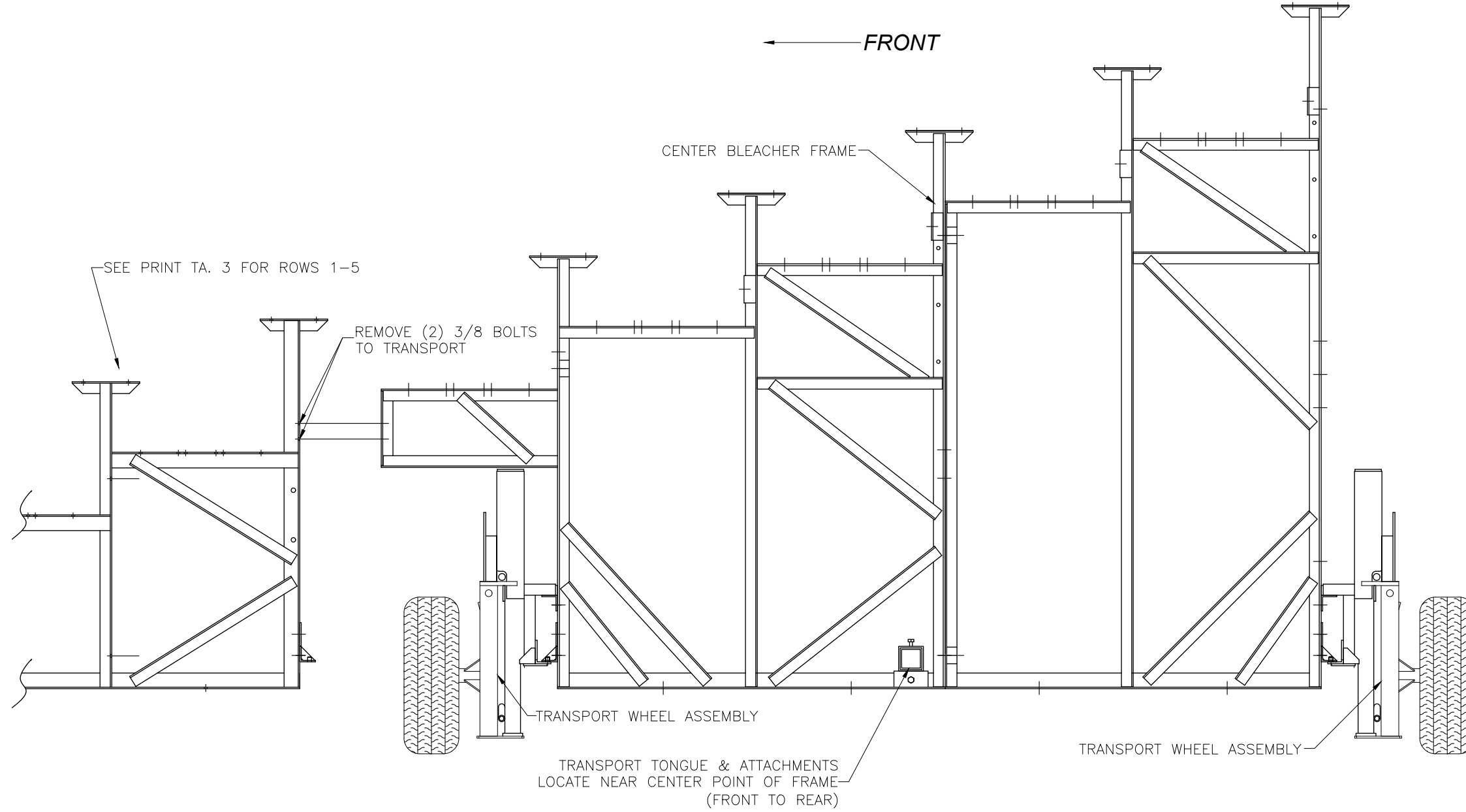
TOWABLE ROW 1-5 ASSEMBLY  
10 ROW TOWABLE BLEACHER  
8" RISE / 10" SEAT

GS-1027ADC-A-TK  
OPTIONAL -MS (MUD SILL)

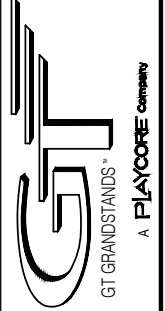
DRAWN BY MME
CHECKED BY TLC
DATE 12/01/2016
SCALE
JOB NO.
GS-1027ADC-A
DWG NO. TP.2

L:\Standard Models\GS-10xxADC-A-TK and GS-10xxGDC-A-TK (-MS)\GS-1027ADC-A-TK.dwg, 5/25/2017 9:17:20 AM, \_AutoCAD PDF (High Quality Print).pc3,  
GOB

### ROWS 6-10



2810 Sydney Road  
Plant City, Florida 33566  
Phone: 813-305-1415  
Fax: 813-305-1419  
www.gtgrandstands.com



TOWABLE ROW 6-10 ASSEMBLY  
10 ROW TOWABLE BLEACHER  
8" RISE / 10" SEAT

GS-1027ADC-A-TK  
OPTIONAL -MS (MUD SILL)

DRAWN BY MME
CHECKED BY TLC
DATE 12/01/2016
SCALE
JOB NO.
GS-1027ADC-A
DWG NO.
TP.3