

ALUMINUM 8 ROW x 33'-0" - GTG SERIES

MODEL **GS-0833ADC-A**

OPTIONS: -RB = RUBBER BUMPERS
-MS = MUD SILLS



2810 Sydney Road
Plant City, Florida 33566
Phone: 813-305-1415
Fax: 813-305-1419
www.gtgrandstands.com

COVER SHEET
8 ROW BLEACHER
WITH AISLE

GS-0833ADC-A
OPTIONAL MUD SILL (-MS)

DRAWN BY
MME
CHECKED BY

DATE
12/14/2016
SCALE

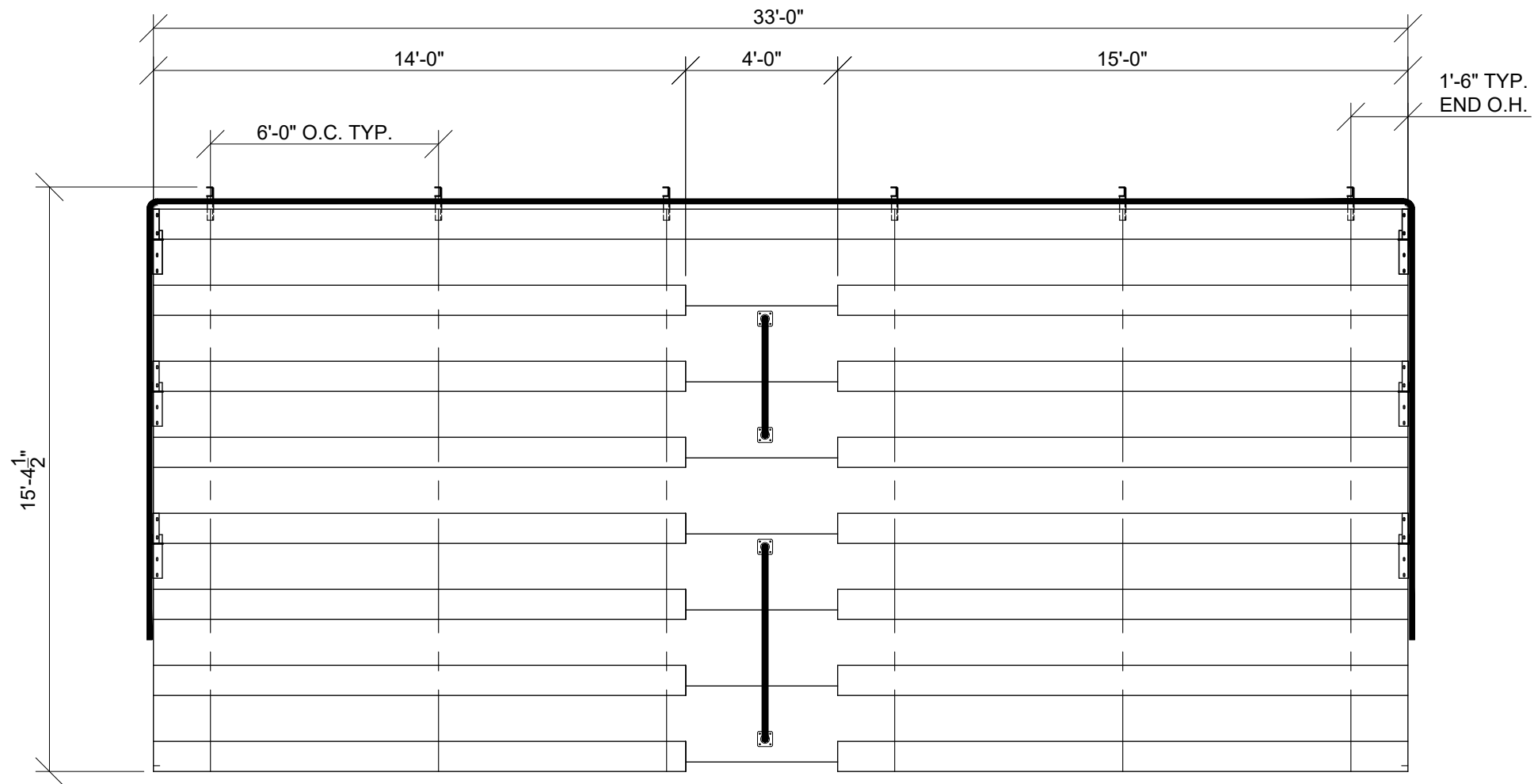
JOB NO.

GS-0833ADC-A

DWG NO.

CS.1

L:\1Standard Models\GS-08xxADC-A and GS-08xxGDC-A (-MS)\GS-0833ADC-A-rev1.dwg, 4/28/2017 9:34:15 AM, GOB



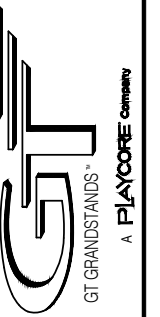
SEATING PLAN

SCALE: 1/4" = 1' - 0"

SECTION LENGTH	GROSS SEATS	ACTUAL SEATS	NO. OF ROWS	NET SEATS
33	22.00	22.00	1	22
15	10.00	10.00	7	70
14	9.33	9.00	7	63
NET SEATS				155
WHEELCHAIR SPACES				0
TOTAL NET SEATING CAPACITY				155
<i>(BASED ON 18" PER SEAT)</i>				



2810 Sydney Road
Plant City, Florida 33566
Phone: 813-305-1415
Fax: 813-305-1419
www.gtgrandstands.com



SEATING PLAN
8 ROW BLEACHER
WITH AISLE

GS-0833ADC-A
OPTIONAL MUD SILL (-MS)

DRAWN BY
MME

CHECKED BY
DATE
12/14/2016

SCALE

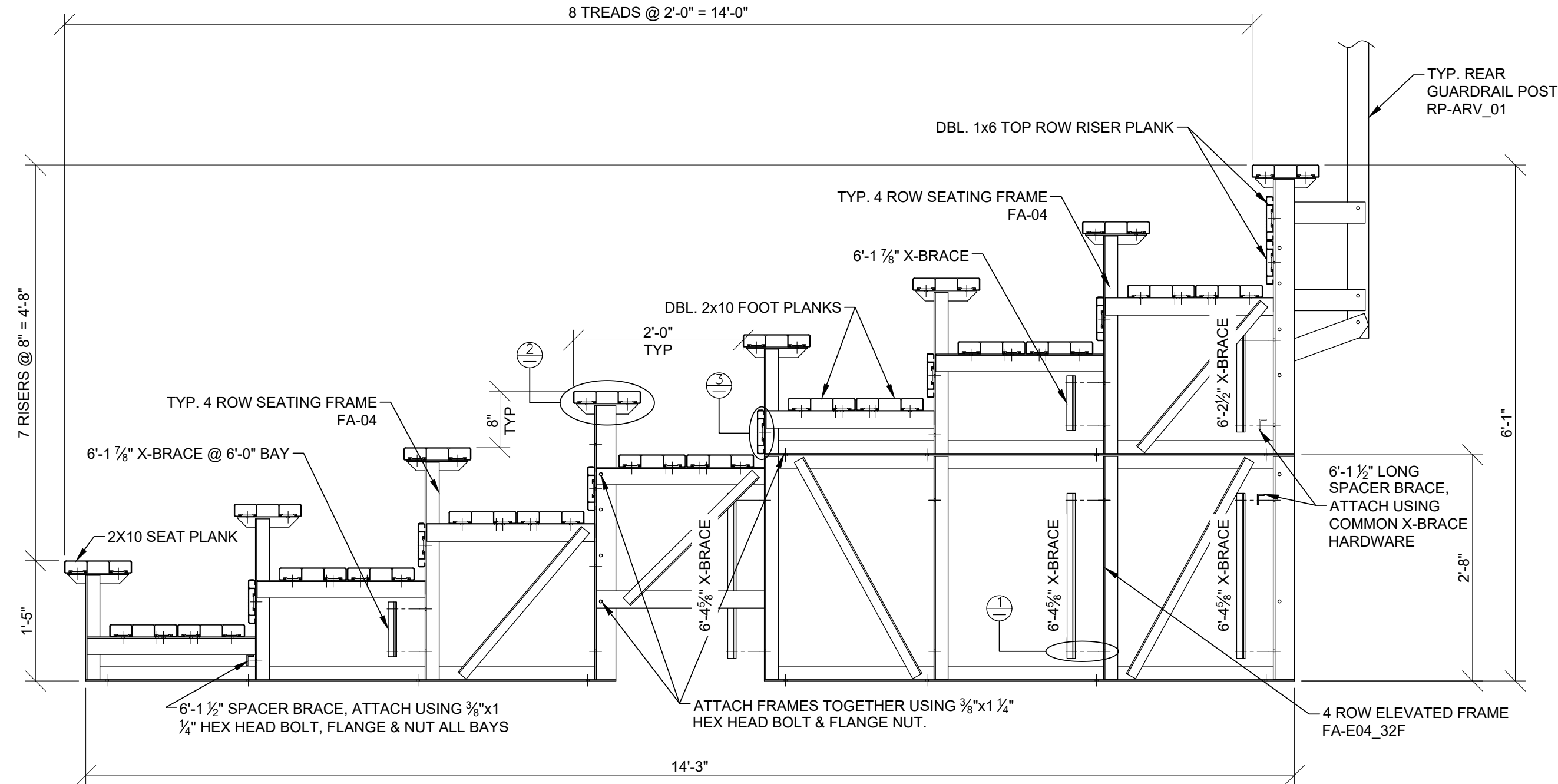
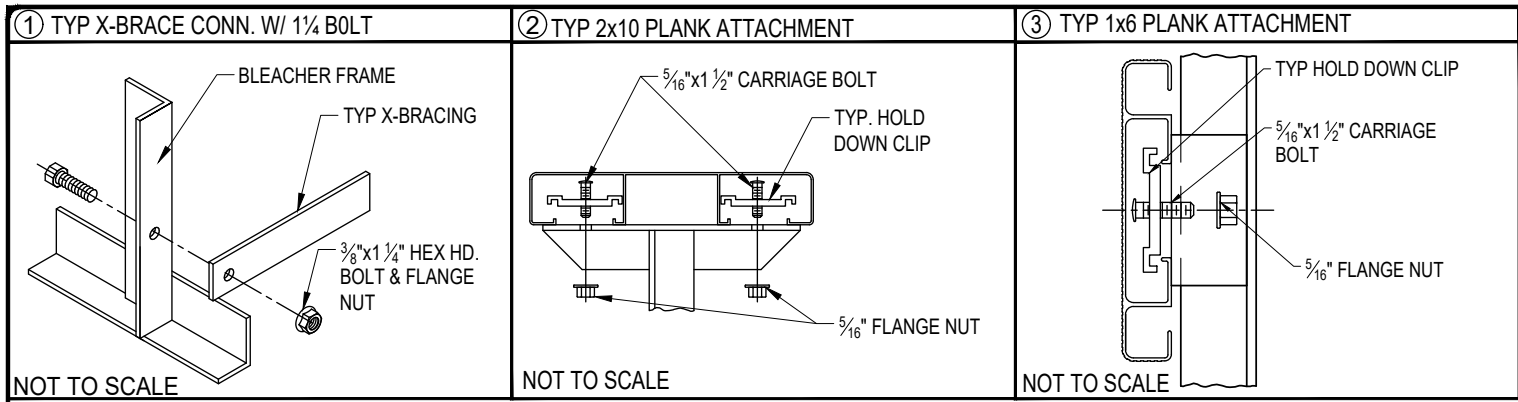
JOB NO.

GS-0833ADC-A

DWG NO.

SP.1

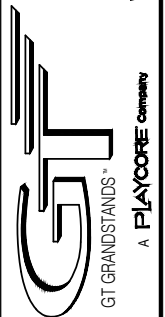
L:\1Standard Models\GS-08xxADC-A and GS-08xxGDC-A (-MS)\GS-0833ADC-A-rev1.dwg, 4/28/2017 9:34:20 AM, GOB



BLEACHER ASSEMBLY
SCALE: 3/4" = 1' - 0"



2810 Sydney Road
Plant City, Florida 33566
Phone: 813-305-1415
Fax: 813-305-1419
www.gtgrandstands.com



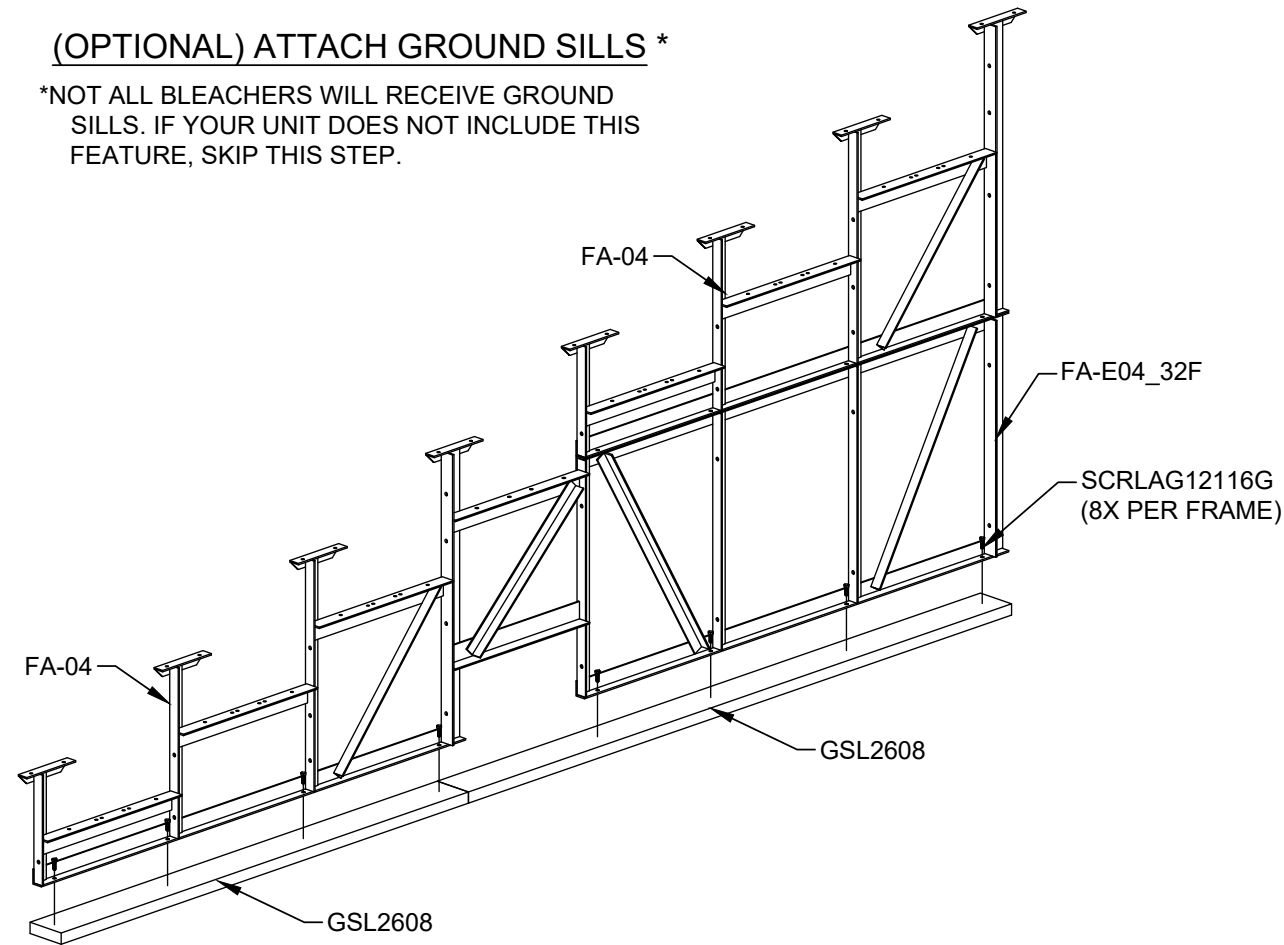
BLEACHER ASSEMBLY
8 ROW BLEACHER
WITH AISLE

GS-0833ADC-A
OPTIONAL MUD SILL (-MS)

DRAWN BY	MME
CHECKED BY	
DATE	12/14/2016
SCALE	
JOB NO.	
GS-0833ADC-A	
DWG NO.	BA.1

(OPTIONAL) ATTACH GROUND SILLS *

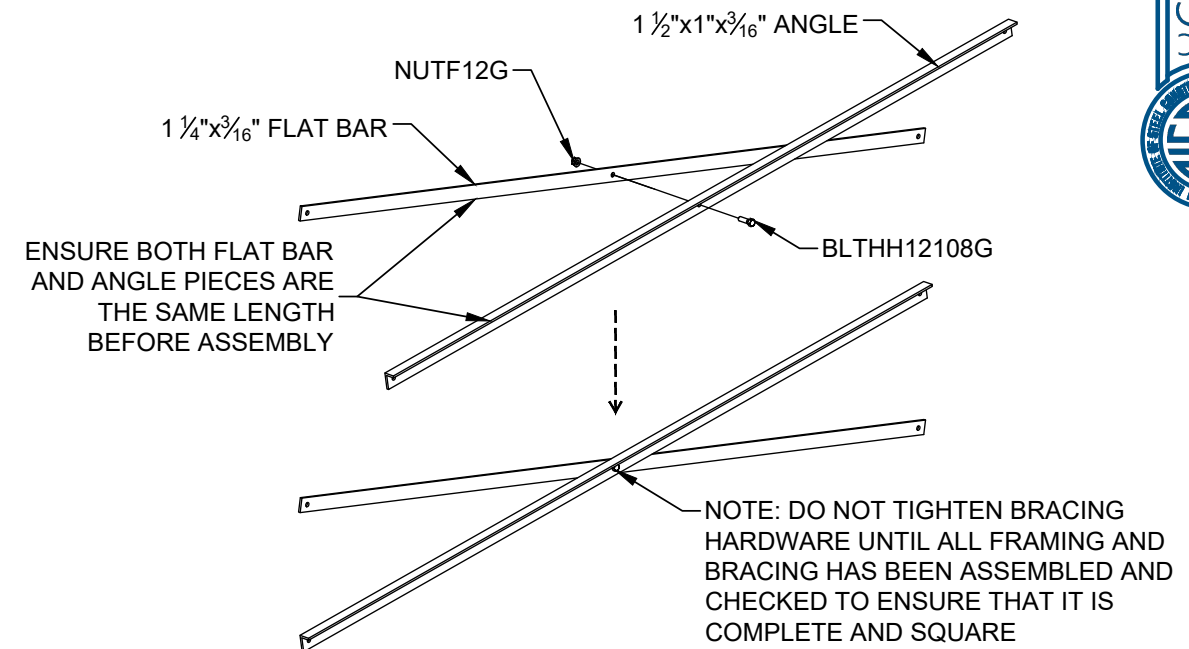
*NOT ALL BLEACHERS WILL RECEIVE GROUND SILLS. IF YOUR UNIT DOES NOT INCLUDE THIS FEATURE, SKIP THIS STEP.



FRAMING ASSEMBLY

SCALE: 1/2" = 1' - 0"

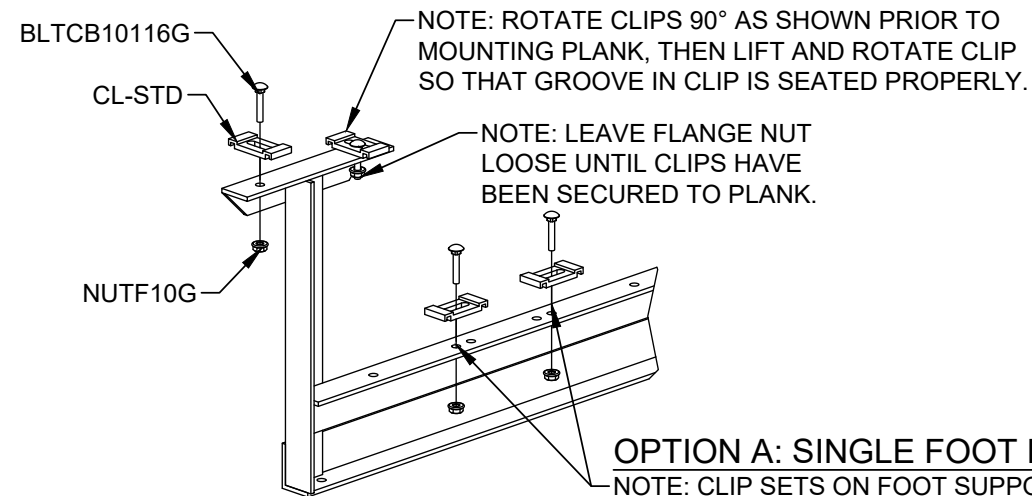
PRE-ASSEMBLE X-BRACE PAIR(S)



X-BRACING ASSEMBLY

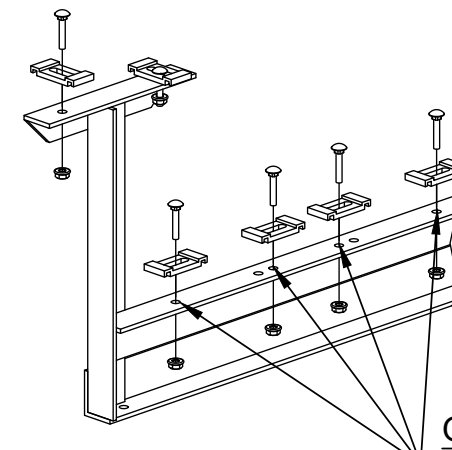
SCALE: 3/4" = 1' - 0"

**ONCE FRAMING IS COMPLETE,
PRE-ASSEMBLE CLIP SETS ON BLEACHER FRAMES**



OPTION A: SINGLE FOOT BOARDS

NOTE: CLIP SETS ON FOOT SUPPORTS MUST BE MOUNTED TO HOLES SHOWN HERE TO ENSURE CORRECT FIT WITH FOOT PLANK.



OPTION B: DOUBLE FOOT BOARDS

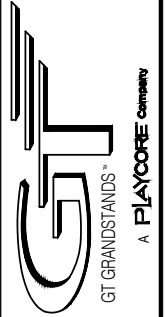
NOTE: CLIP SETS ON FOOT SUPPORTS MUST BE MOUNTED TO HOLES SHOWN HERE TO ENSURE CORRECT FIT WITH FOOT PLANK.

SEAT AND FOOT BOARD ATTACHMENT

SCALE: 3/4" = 1' - 0"



2810 Sydney Road
Plant City, Florida 33566
Phone: 813-305-1415
Fax: 813-305-1419
www.gtgrandstands.com



FRAMING & CLIP PRE-ASSEMBLY
8 ROW BLEACHER
WITH AISLE

GS-0833ADC-A
OPTIONAL MUD SILL (-MS)

DRAWN BY
MME
CHECKED BY

DATE
12/14/2016
SCALE

JOB NO.

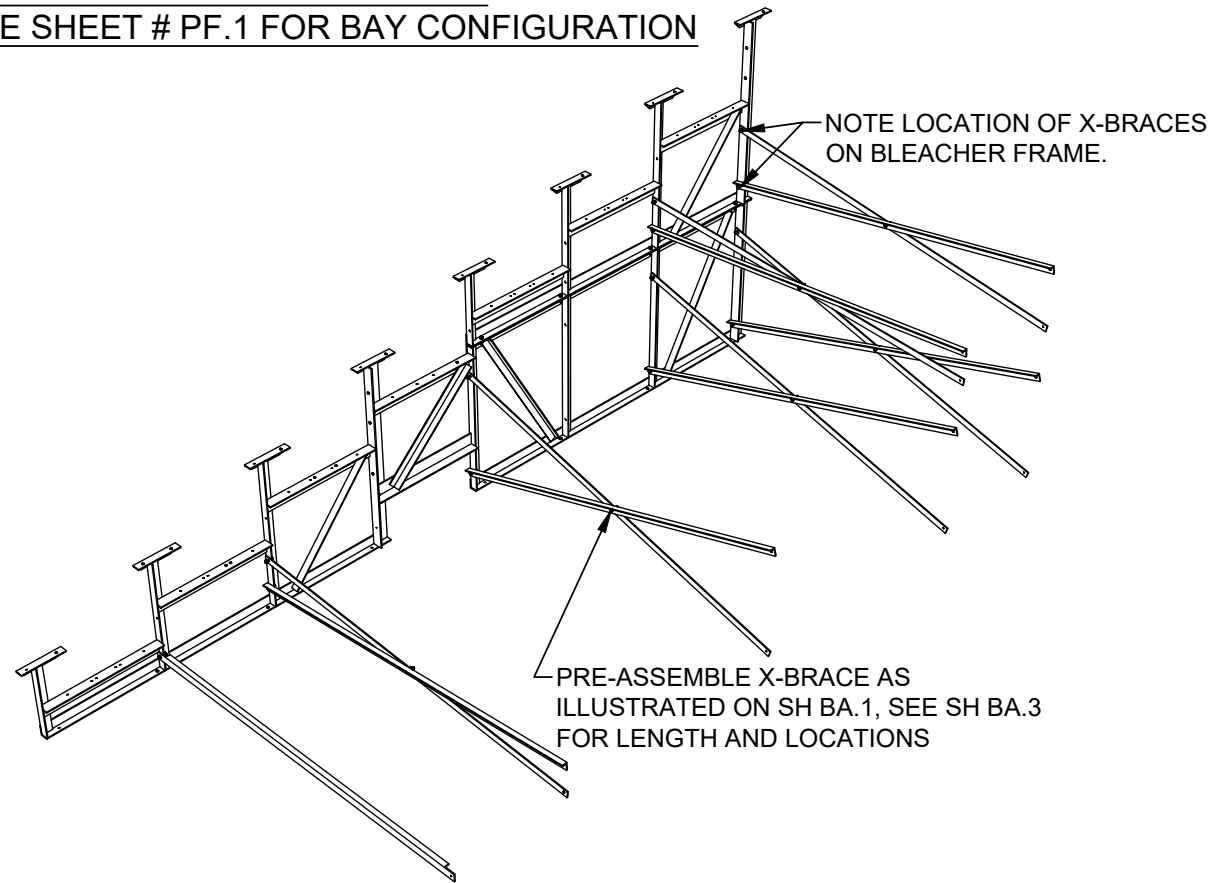
GS-0833ADC-A

DWG NO.

BA.2

L:\1Standard Models\GS-08xxADC-A and GS-08xxGDC-A (-MS)\GS-0833ADC-A-rev1.dwg, 4/28/2017 9:34:30 AM, GOB

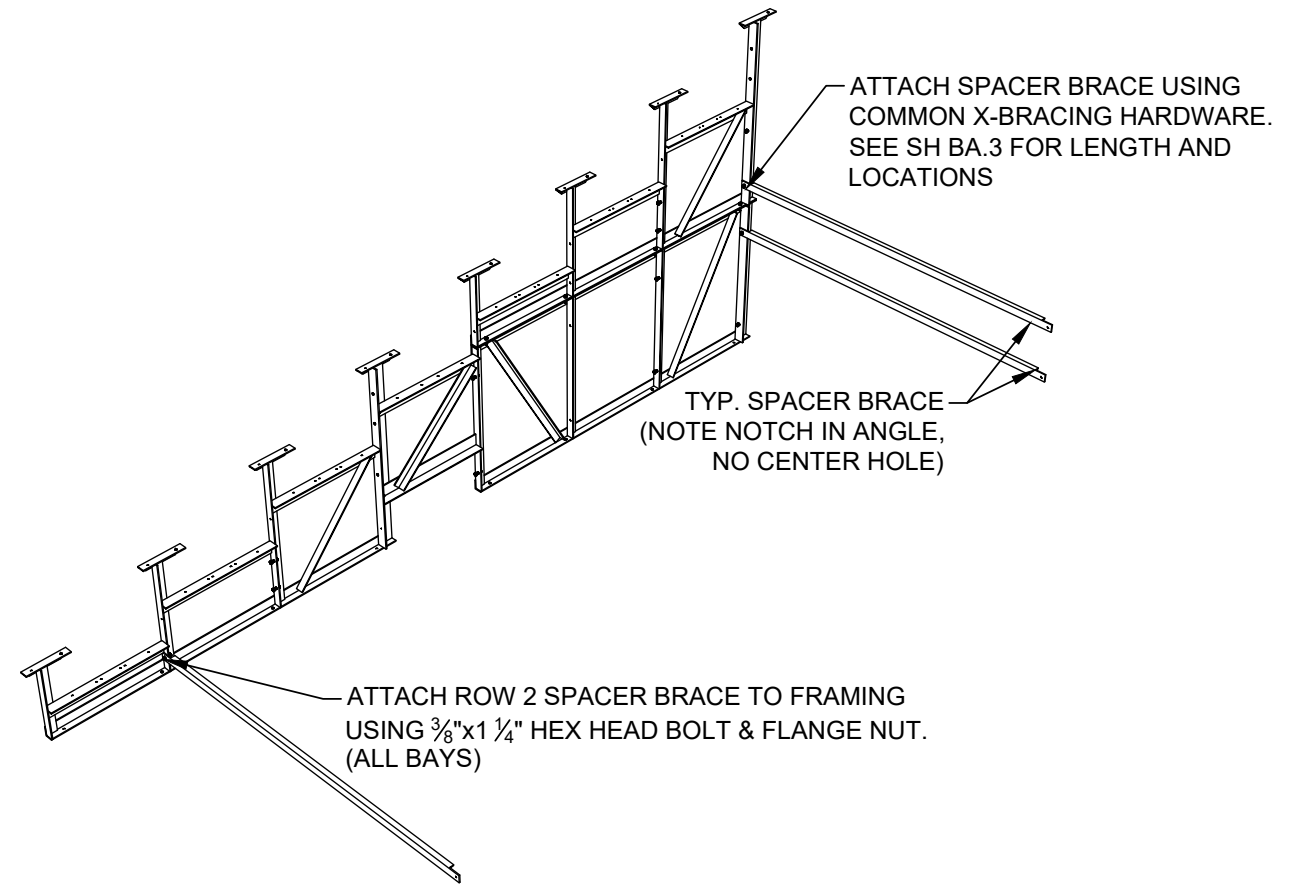
TYP. X-BRACE LOCATION DETAIL
INSTALL AT CLOSED BAYS ONLY
SEE SHEET # PF.1 FOR BAY CONFIGURATION



X-BRACE LOCATION

SCALE: 3/8" = 1' - 0"

TYP. SPACER BRACE LOCATION DETAIL
INSTALL AT OPEN BAYS ONLY
SEE SHEET # PF.1 FOR BAY CONFIGURATION



SPACER BRACE LOCATION

SCALE: 3/8" = 1' - 0"



2810 Sydney Road
Plant City, Florida 33566
Phone: 813-305-1415
Fax: 813-305-1419
www.gtgrandstands.com



BRACING LOCATION PLAN
8 ROW BLEACHER
WITH AISLE

GS-0833ADC-A
OPTIONAL MUD SILL (-MS)

DRAWN BY
MME
CHECKED BY

DATE
12/14/2016
SCALE

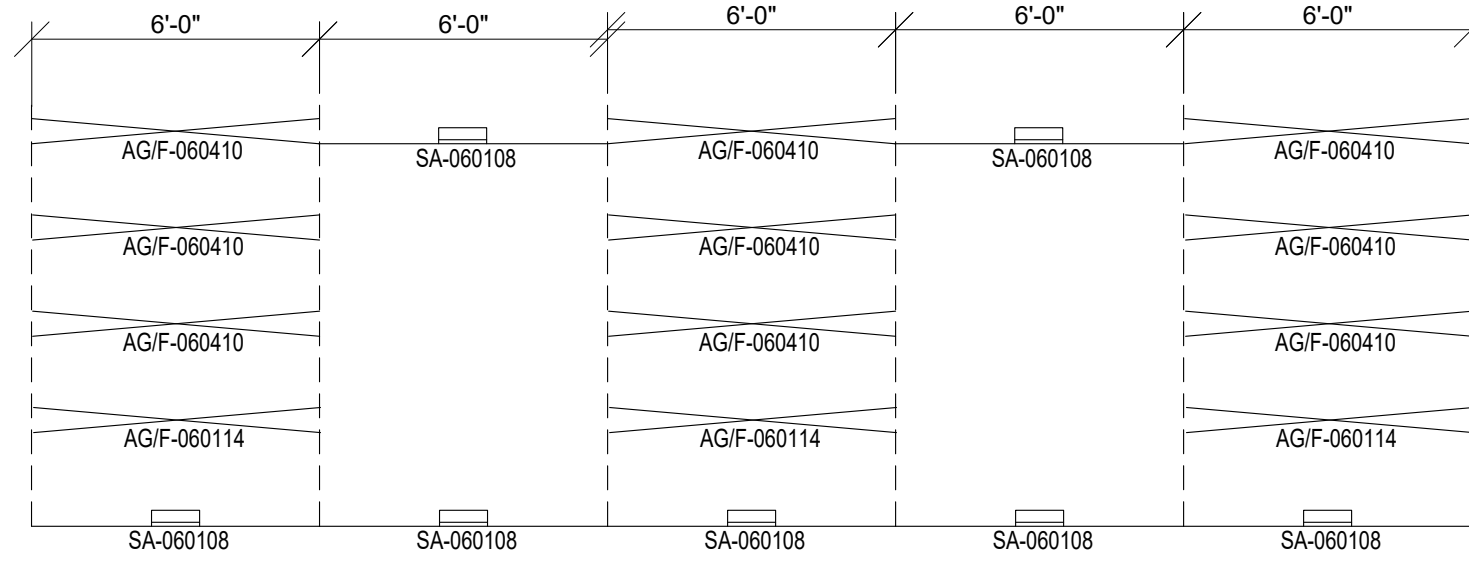
JOB NO.

GS-0833ADC-A

DWG NO.

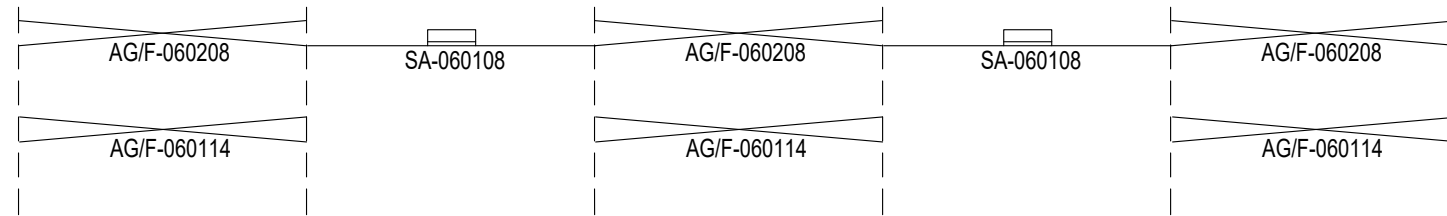
BA.3

L:\1Standard Models\GS-08xxADC-A and GS-08xxGDC-A (-MS)\GS-0833ADC-A-rev1.dwg, 4/28/2017 9:34:35 AM, GOB



FRAMING PLAN-FIRST LEVEL

SCALE: 1/4" = 1' - 0"

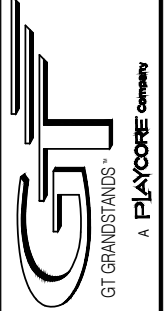


FRAMING PLAN-SECOND LEVEL

SCALE: 1/4" = 1' - 0"



2810 Sydney Road
 Plant City, Florida 33566
 Phone: 813-305-1415
 Fax: 813-305-1419
 www.gtgrandstands.com



FRAMING PLAN
 8 ROW BLEACHER
 WITH AISLE

GS-0833ADC-A
 OPTIONAL MUD SILL (-MS)

DRAWN BY
 MME
 CHECKED BY

DATE
 12/14/2016
 SCALE

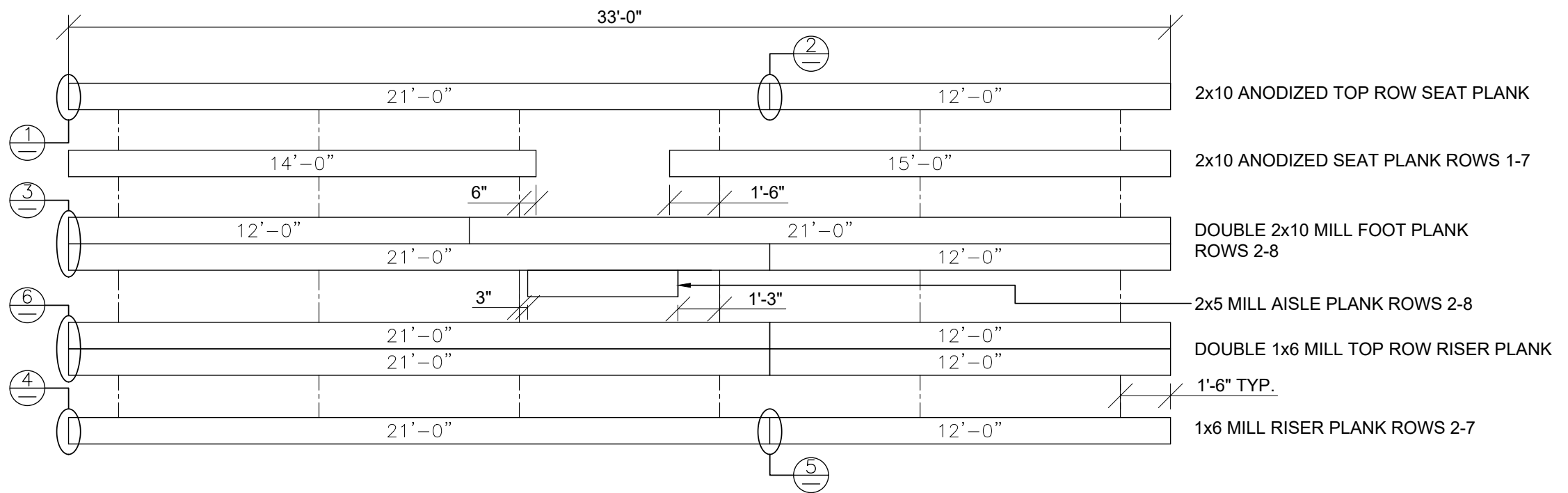
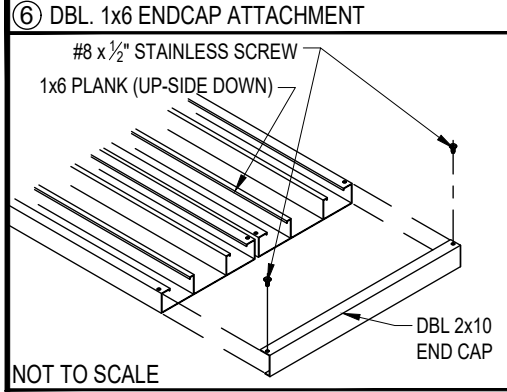
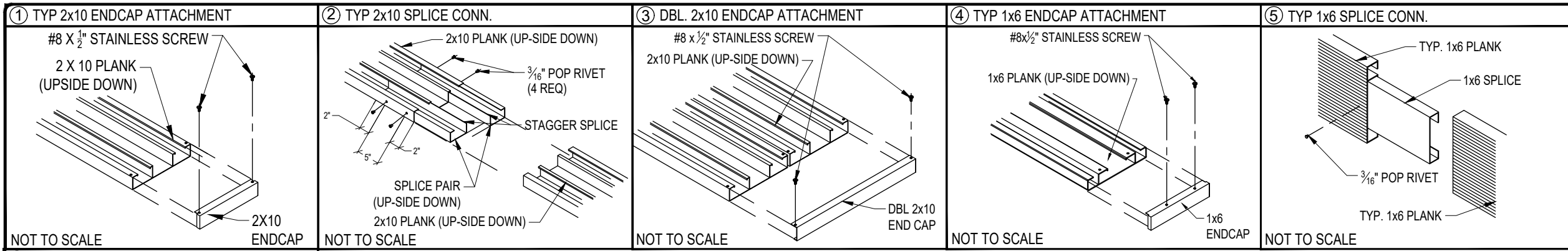
JOB NO.

GS-0833ADC-A

DWG NO.

FR.1

L:\1Standard Models\GS-08xxADC-A and GS-08xxGDC-A (-MS)\GS-0833ADC-A-rev1.dwg, 4/28/2017 9:34:40 AM, GOB



PLANK PLAN
SCALE: 1/4" = 1' - 0"



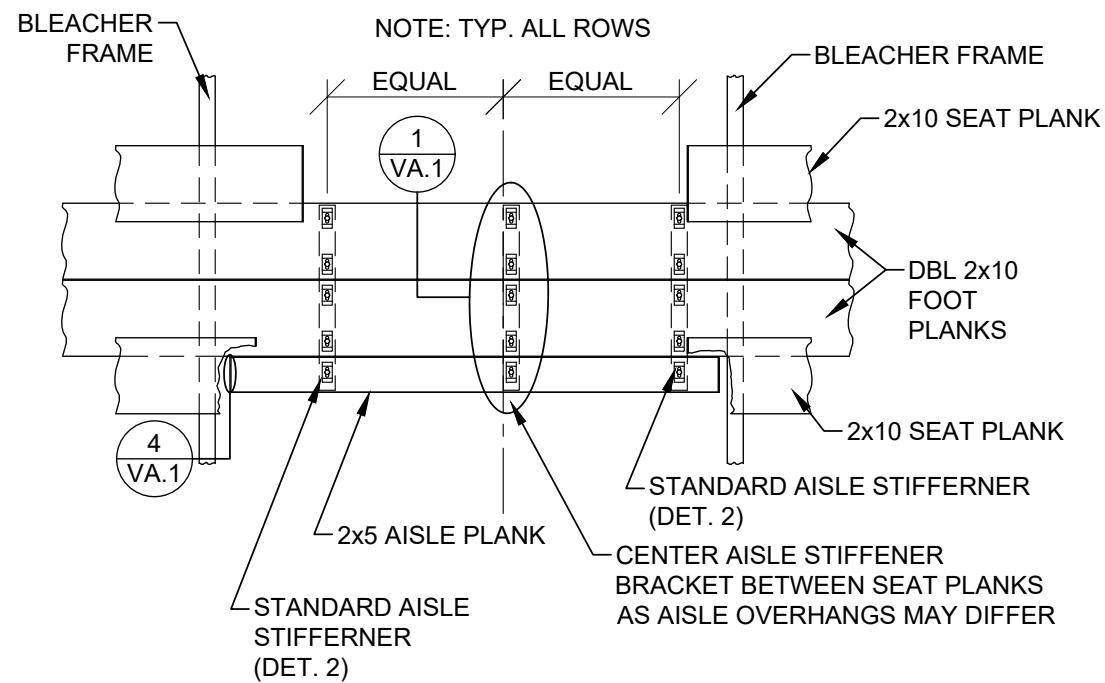
2810 Sydney Road
Plant City, Florida 33566
Phone: 813-305-1415
Fax: 813-305-1419
www.gtgrandstands.com



PLANK PLAN
8 ROW BLEACHER
WITH AISLE

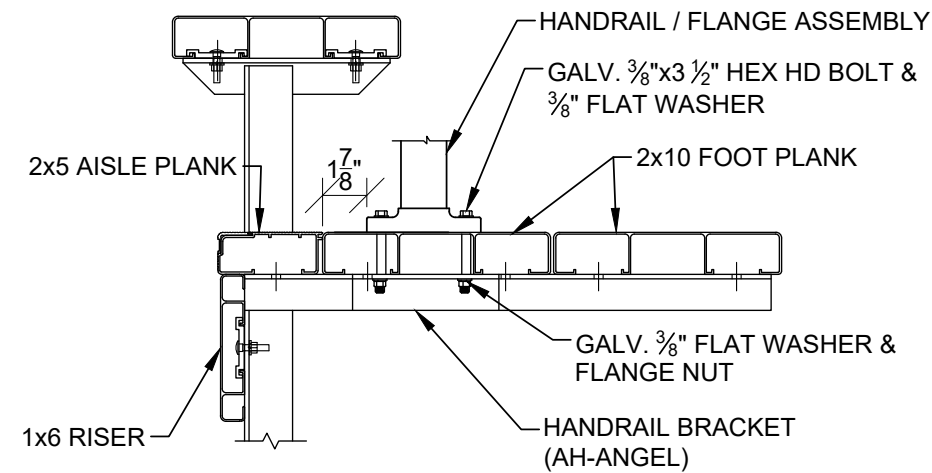
GS-0833ADC-A
OPTIONAL MUD SILL (-MS)

DRAWN BY MME
CHECKED BY
DATE 12/14/2016
SCALE
JOB NO. GS-0833ADC-A
DWG NO. PP.1



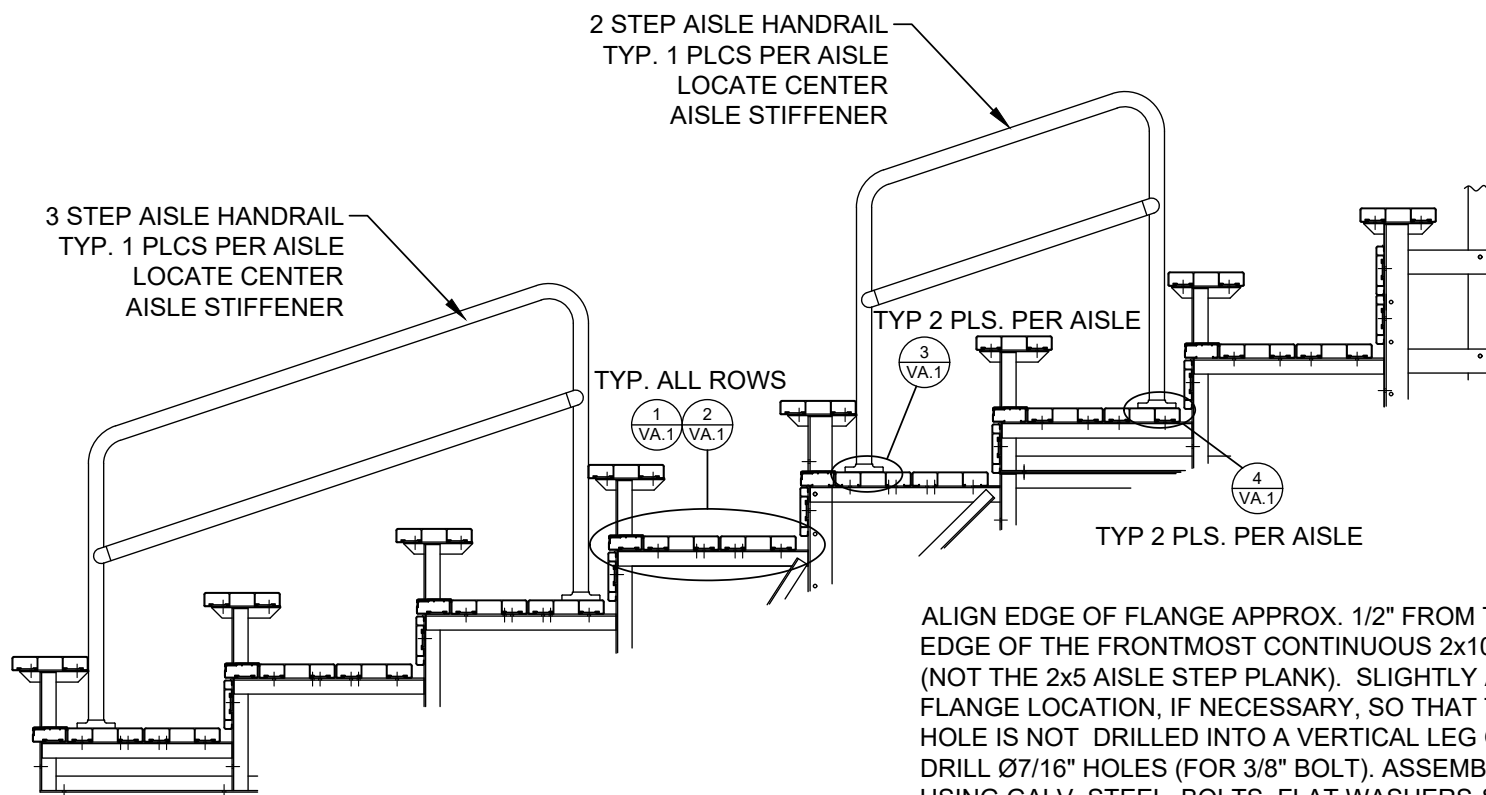
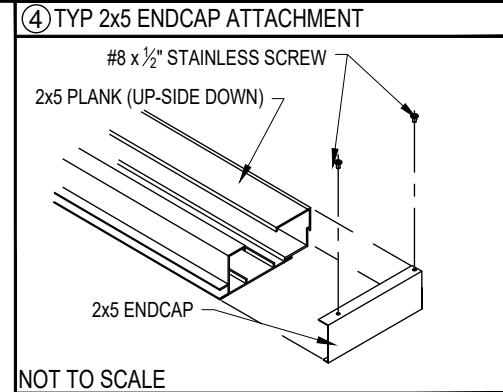
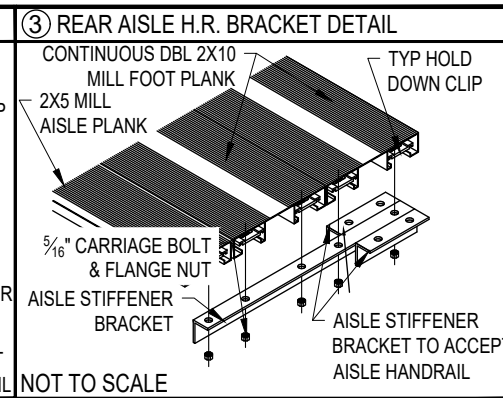
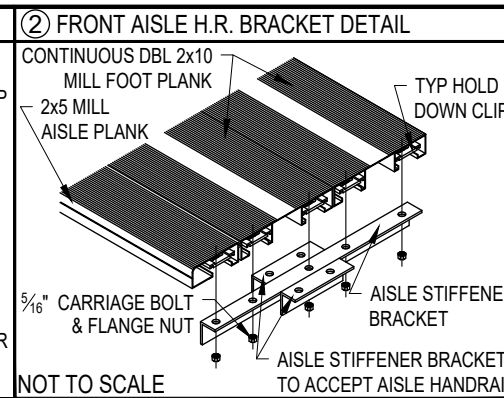
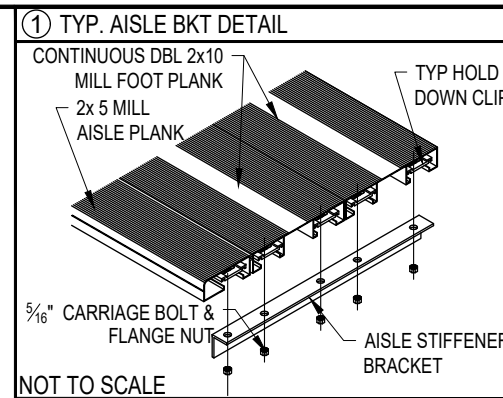
DETAIL "A" AISLE PLAN

SCALE: 1/2" = 1' - 0"



DETAIL "B" AISLE PLAN

SCALE: 1 1/2" = 1' - 0"



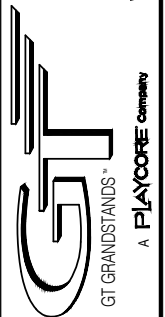
ALIGN EDGE OF FLANGE APPROX. 1/2" FROM THE LEADING EDGE OF THE FRONTMOST CONTINUOUS 2x10 FOOT PLANK (NOT THE 2x5 AISLE STEP PLANK). SLIGHTLY ADJUST FLANGE LOCATION, IF NECESSARY, SO THAT THE BOLT HOLE IS NOT DRILLED INTO A VERTICAL LEG OF THE PLANK. DRILL Ø7/16" HOLES (FOR 3/8" BOLT). ASSEMBLE AS SHOWN USING GALV. STEEL BOLTS, FLAT WASHERS & FLANGE NUTS.

VERTICAL AISLE ASSEMBLY

SCALE: 1/2" = 1' - 0"



2810 Sydney Road
Plant City, Florida 33566
Phone: 813-305-1415
Fax: 813-305-1419
www.gtgrandstands.com



VERTICAL AISLE
8 ROW BLEACHER
WITH AISLE

GS-0833ADC-A
OPTIONAL MUD SILL (-MS)

DRAWN BY
MME

CHECKED BY

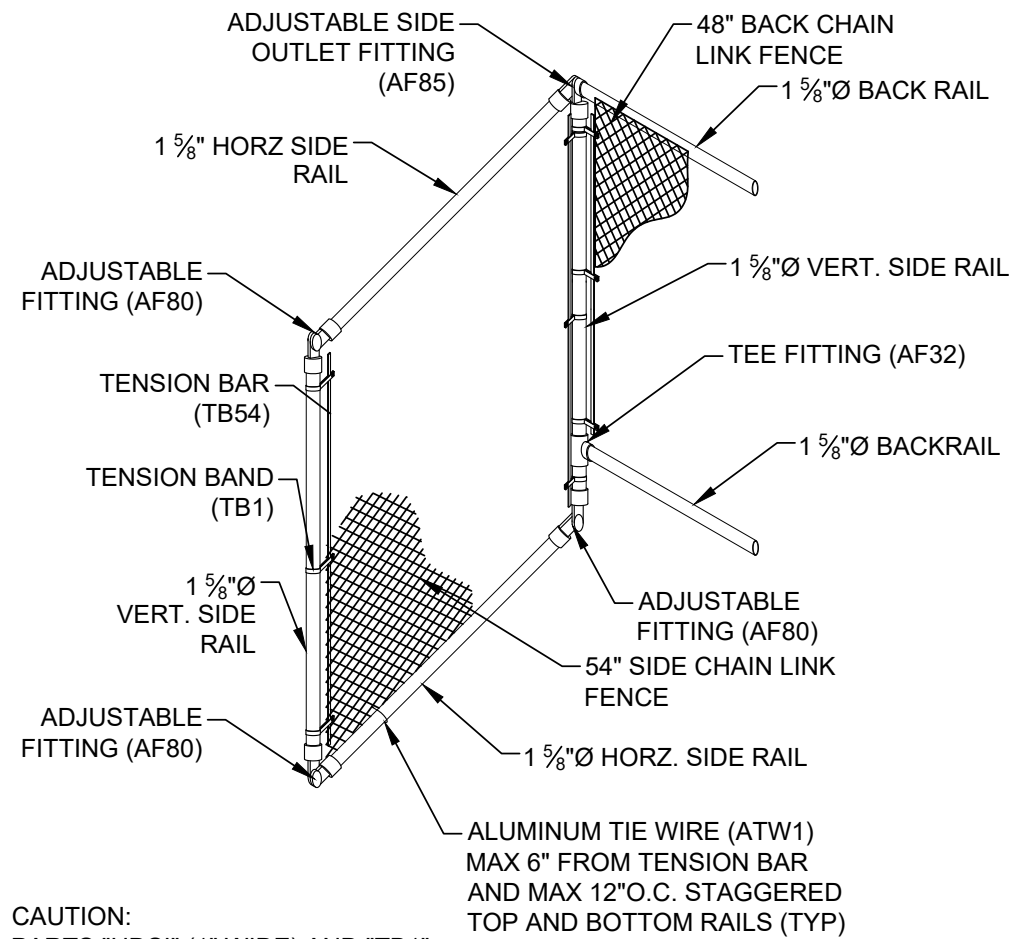
DATE
12/14/2016

SCALE

JOB NO.
GS-0833ADC-A

DWG NO.
VA.1

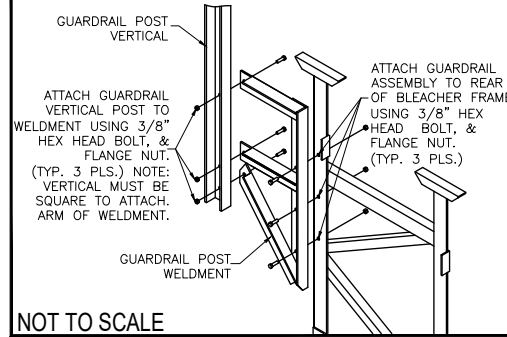
L:\1Standard Models\GS-08xxADC-A and GS-08xxGDC-A (-MS)\GS-0833ADC-A-rev1.dwg, 4/28/2017 9:34:50 AM, GOB



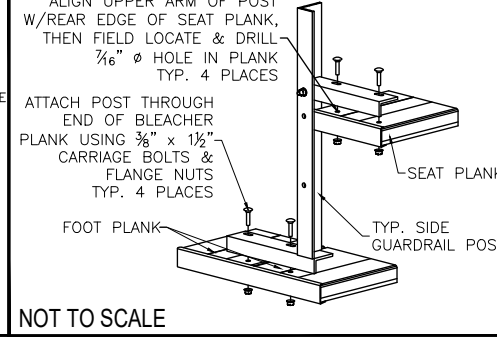
CAUTION: PARTS "HDSI" (1" WIDE) AND "TB1" (3/8" WIDE) ARE SIMILAR - CARE SHOULD BE TAKEN TO IDENTIFY THESE PARTS CORRECTLY.

DETAIL A
SCALE: 1/2" = 1' - 0"

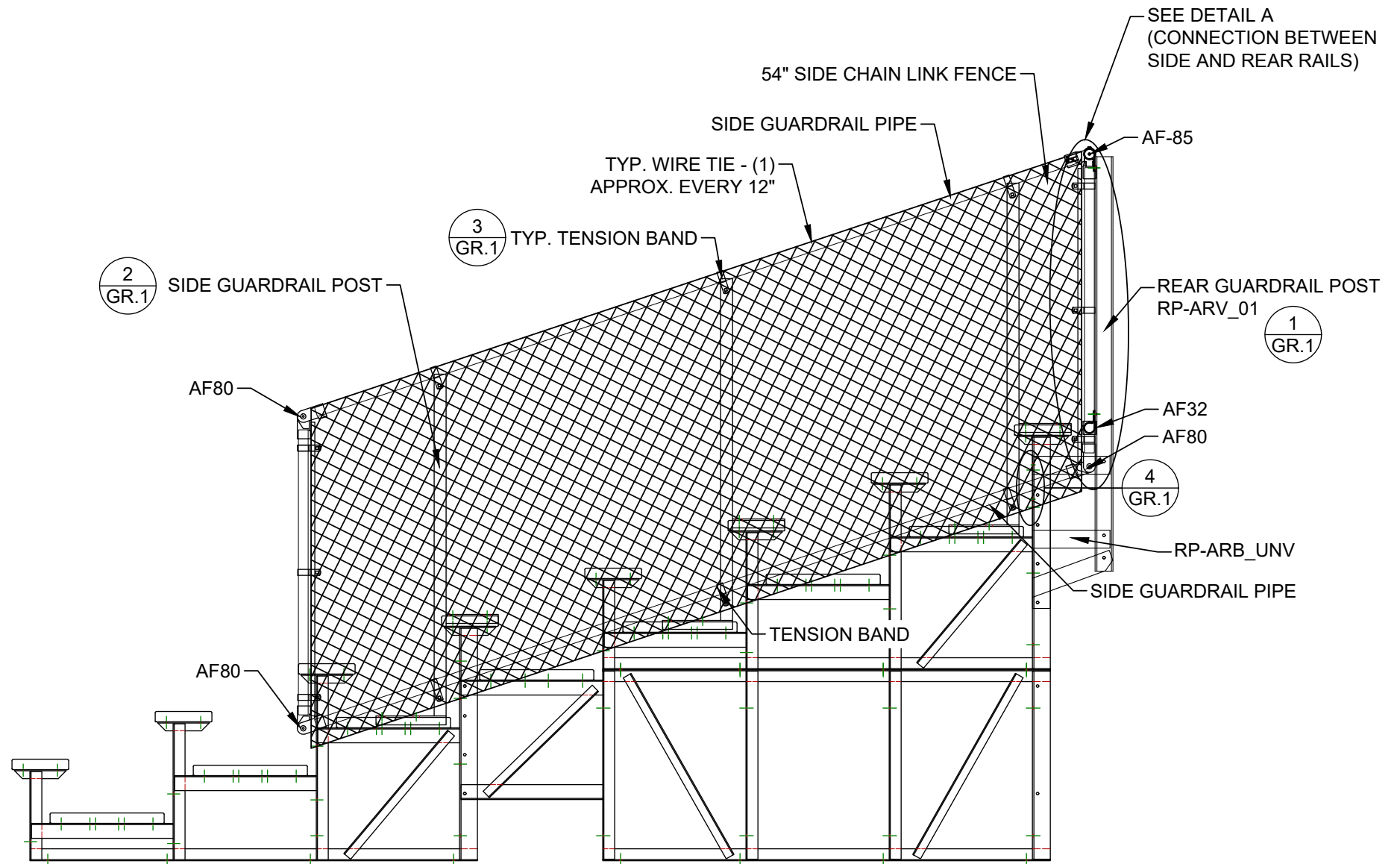
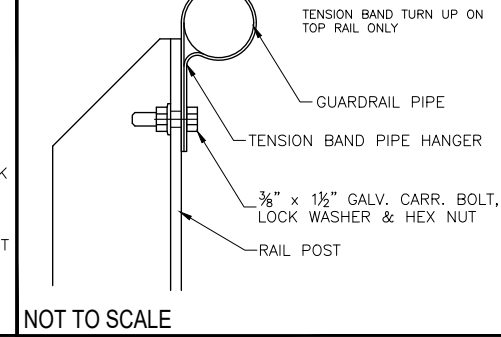
① REAR GUARDRAIL POST ATTACH.



② SIDE GD. RAIL POST INSTALLATION



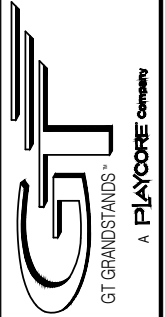
③ TENSION BAND ATTACHMENT



GUARDRAIL ASSEMBLY
SCALE: 1/2" = 1' - 0"



2810 Sydney Road
Plant City, Florida 33566
Phone: 813-305-1415
Fax: 813-305-1419
www.gtgrandstands.com



GUARDRAIL ASSEMBLY
8 ROW BLEACHER
WITH AISLE

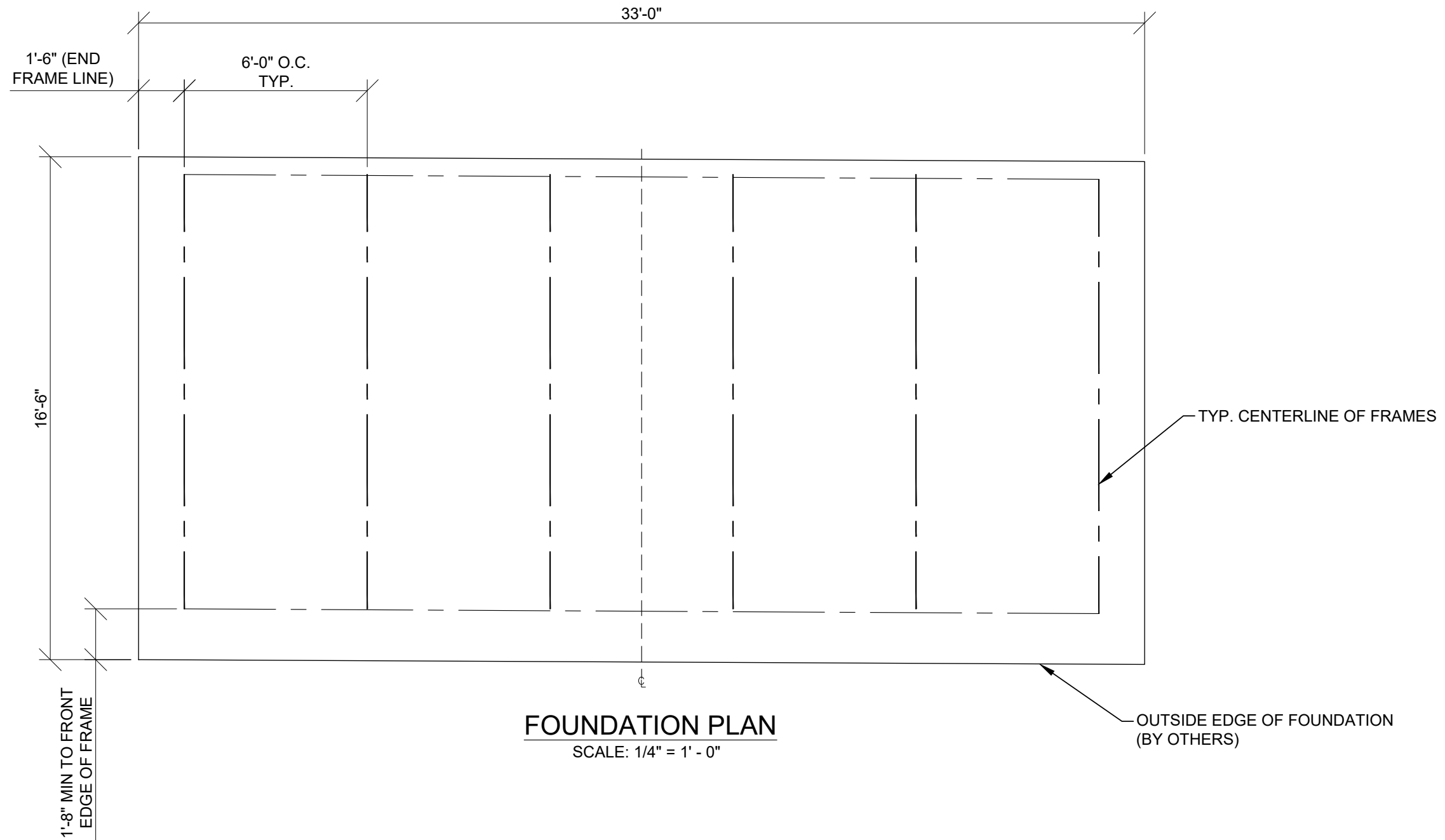
GS-0833ADC-A
OPTIONAL MUD SILL (-MS)

DRAWN BY
MME
CHECKED BY
DATE
12/14/2016
SCALE

JOB NO.
GS-0833ADC-A

DWG NO.
GR.1

L:\1Standard Models\GS-08xxADC-A and GS-08xxGDC-A (-MS)\GS-0833ADC-A-rev1.dwg, 4/28/2017 9:34:55 AM, GOB



* MINIMUM FOUNDATION AREA SHOWN. DEPENDING ON LOCAL SOIL CONDITIONS, BLEACHER CAN BE INSTALLED ON A CONCRETE PAD OR FOOTERS, OR ATTACHED TO 2x6 TREATED LUMBER GROUND SILLS AND PLACED ON COMPACTED STONE, ASPHALT, OR ANY OTHER SMOOTH, SOLID, LEVEL SURFACE. CONSULT YOUR LOCAL CONCRETE CONTRACTOR TO DETERMINE PROPER CONCRETE SPECIFICATIONS FOR YOUR LOCAL SOIL AND WEATHER-RELATED CONDITIONS. THE BEARING SURFACE MUST BE CAPABLE OF SUPPORTING A MINIMUM OF 660 POUNDS PER LINEAR FOOT. TO MEET LOCAL CODES, BLEACHERS WILL NEED TO BE ANCHORED. ANCHORING SYSTEMS FOR ALL SURFACE TYPES ARE AVAILABLE - CONTACT YOUR BLEACHER SALES REPRESENTATIVE FOR MORE INFORMATION.



GT
GT GRANDSTANDS®
A PLAYCORE Company

2810 Sydney Road
Plant City, Florida 33566
Phone: 813-305-1415
Fax: 813-305-1419
www.gtgrandstands.com

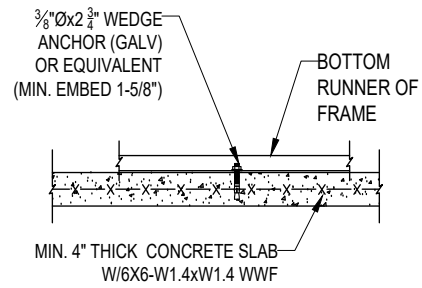
FOUNDATION PLAN
8 ROW BLEACHER
WITH AISLE

GS-0833ADC-A
OPTIONAL MUD SILL (-MS)

DRAWN BY	MME
CHECKED BY	
DATE	12/14/2016
SCALE	
JOB NO.	GS-0833ADC-A
DWG NO.	FP.1

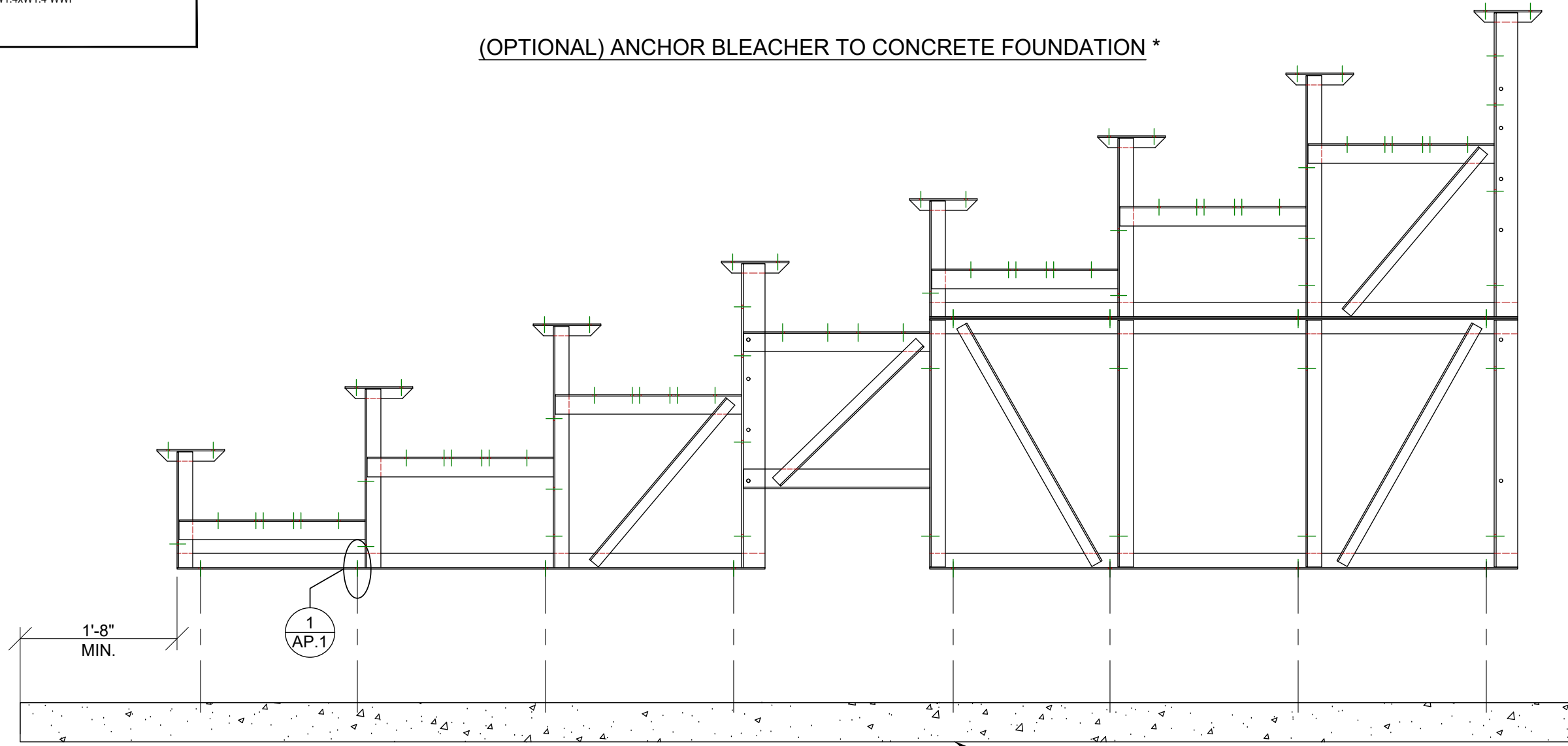
L:\1Standard Models\GS-08xxADC-A and GS-08xxGDC-A (-MS)\GS-0833ADC-A-rev1.dwg, 4/28/2017 9:35:00 AM, GOB

① OPTIONAL ANCHOR WEDGE DETAIL*



NOT TO SCALE

(OPTIONAL) ANCHOR BLEACHER TO CONCRETE FOUNDATION *



ANCHORING PLAN

SCALE: 3/4" = 1' - 0"

CONCRETE FOUNDATION
(BY OTHERS)
SEE SH FP.1 FOR DIMENSIONS

* CONCRETE WEDGE ANCHORS NOT INCLUDED WITH ALL UNITS. IF USING OTHER ANCHORING SYSTEM, SKIP THIS STEP AND REFER TO INSTRUCTIONS SPECIFIC TO THE ANCHORING SYSTEM PURCHASED FOR YOUR UNIT. SEE PRINT FP.1 (INCLUDED IN THIS PACKET) FOR GENERAL CONCRETE FOUNDATION SPECIFICATIONS.



2810 Sydney Road
Plant City, Florida 33566
Phone: 813-305-1415
Fax: 813-305-1419
www.gtgrandstands.com



ANCHORING PLAN
8 ROW BLEACHER
WITH AISLE

GS-0833ADC-A
OPTIONAL MUD SILL (-MS)

DRAWN BY
MME
CHECKED BY

DATE
12/14/2016
SCALE

JOB NO.

GS-0833ADC-A

DWG NO.

AP.1