

ALUMINUM 8 ROW x 27'-0" - GTG SERIES

MODEL
GS-0827ADC-A



2810 Sydney Road
 Plant City, Florida 33566
 Phone: 813-305-1415
 Fax: 813-305-1419
 www.gtgrandstands.com

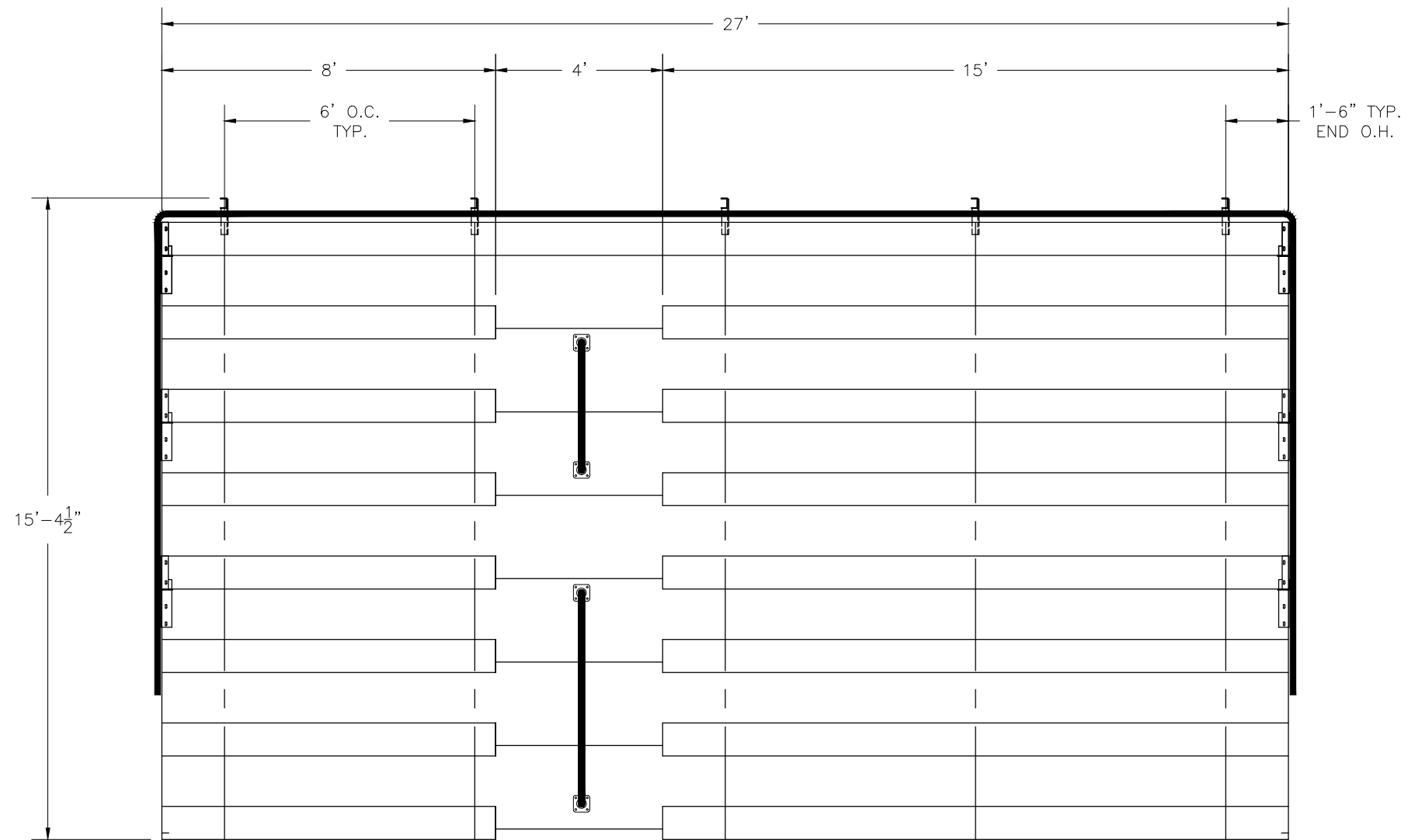


COVER SHEET
 8 ROW BLEACHER
 WITH AISLE

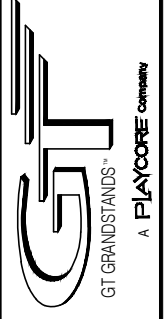
GS-0827ADC-A
 OPTIONAL MUD SILL (-MS)

- CS.1 - COVER SHEET
- SP.1 - SEATING PLAN
- FP.1 - FOUNDATION PLAN
- BA.1 - FRAMING & CLIP PRE-ASSEMBLY
- BA.2 - BRACING LOCATION PLAN
- BA.3 - BLEACHER ASSEMBLY
- AP.1 - ANCHORING PLAN
- PF.1 - PLANK & FRAMING PLAN
- VA.1 - VERTICAL AISLE ASSEMBLY
- GR.1 - GUARDRAIL ASSEMBLY
- GR.2 - GUARDRAIL ASSEMBLY

DRAWN BY MME
CHECKED BY
DATE 12/14/2016
SCALE
JOB NO. GS-0827ADC-A
DWG NO. CS.1



2810 Sydney Road
 Plant City, Florida 33566
 Phone: 813-305-1415
 Fax: 813-305-1419
 www.gtgrandstands.com



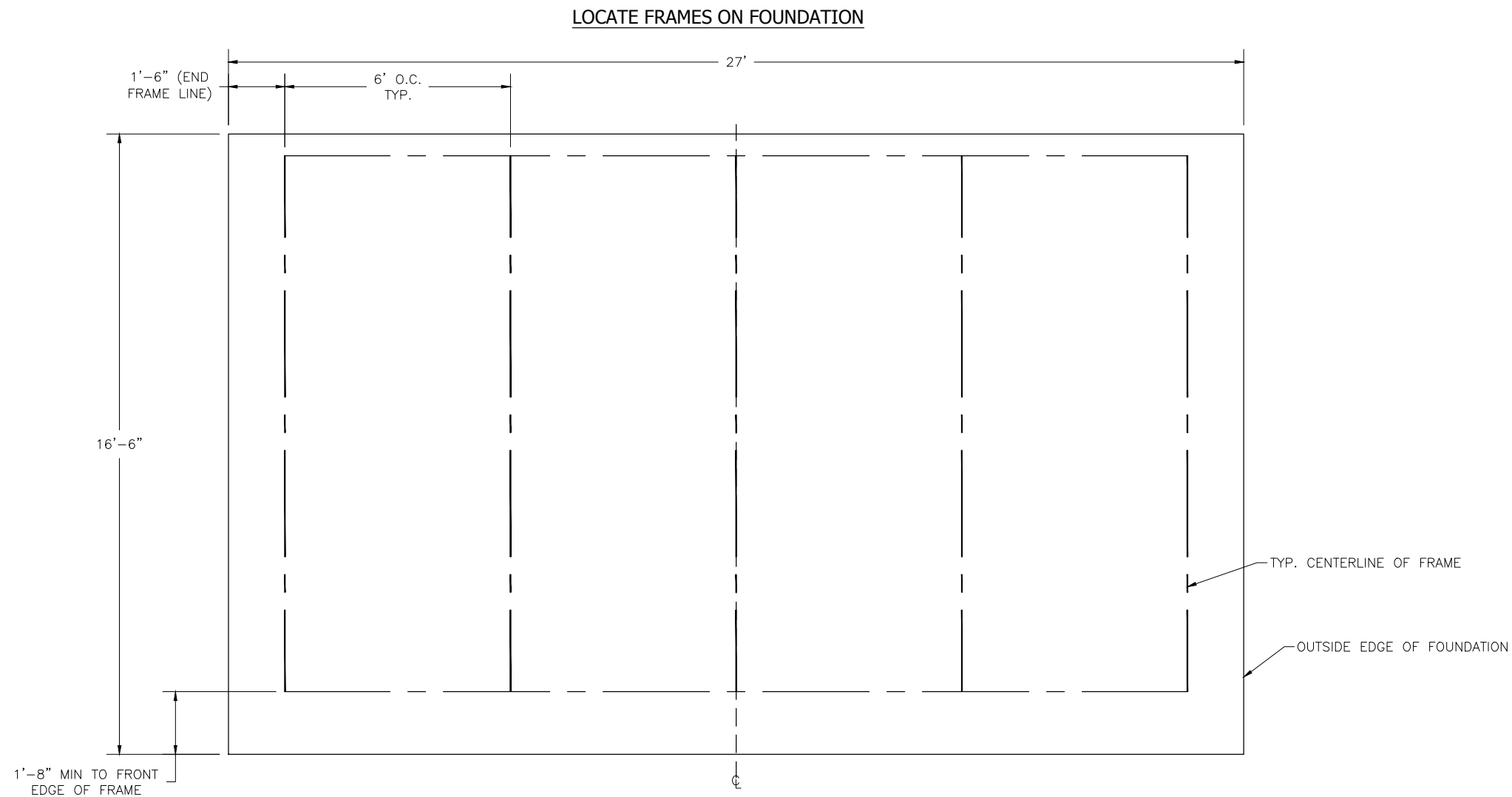
SEATING PLAN
 8 ROW BLEACHER
 WITH AISLE

GS-0827ADC-A
 OPTIONAL MUD SILL (-MS)

DRAWN BY
 MME
 CHECKED BY
 DATE
 12/14/2016
 SCALE
 JOB NO.
 GS-0827ADC-A
 DWG NO.

SP.1

SECTION LENGTH	GROSS SEATS	ACTUAL SEATS	NO. OF ROWS	NET SEATS
27	18.00	18.00	1	18
8	5.33	5.00	7	35
15	10.00	10.00	7	70
		NET SEATS		123
		WHEELCHAIR SPACES		0
		TOTAL NET SEATING CAPACITY		123
		<i>(BASED ON 18" PER SEAT)</i>		



CONCRETE FOUNDATION SPECIFICATIONS SCOPE:

Foundation construction is not part of GT Grandstands, Inc. scope of work unless noted otherwise in the contract documents. The owner shall review the foundation design with the local code authorities, and coordinate with GTG.

FOUNDATION DESIGN & ANCHORS:

- 1) The foundation designs are based on the following:
 - a. Minimum presumed soil bearing 1000 psf.
 - b. Bleacher frame dead and live load 700 lbs./ft.
 - c. Bleacher frame wind uplift load 250 lbs./ft.
- 2) Unless otherwise noted on the drawings the bleacher frames shall be attached to the concrete with 3/8" dia. x 3" wedge type expansion anchors. The anchors shall be embedded a minimum of 2" into the concrete.

CONCRETE SPECIFICATIONS:

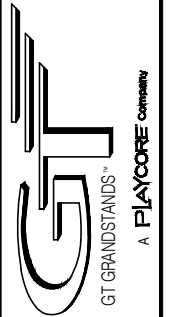
- 1) All concrete construction shall be in accordance with *ACI 318-08*.
- 2) All concrete shall have a minimum 28-day strength of $F_c=3000$ psi.
- 3) A 1/4" bituminous expansion joint material shall be placed between strip and slab foundations when adjacent to each other.
- 4) The depressions in the top of the foundations between high spots shall not exceed 5/16" below a 10-foot long straightedge. The 10-foot straightedge method used to measure foundation flatness shall be in accordance with Section of ACI 302.1R-04 "*Guide for Concrete Floor and Slab Construction*".

CONCRETE SLAB SPECIFICATIONS:

- 1) Concrete slab shall have a minimum thickness of 4" (GT Grandstands Inc. recommends, and some areas may require 6" thickness) and placed on 4" of compacted gravel or compacted sand sub-base.
- 2) GT Grandstands, Inc. recommends that the concrete slab be reinforced with 6x6-W2.1xW2.1 welded wire fabric at 1/2" concrete cover from the top. In lieu of welded wire fabric, 2" XOREX by Ribbon Technology Corporation or equal corrugated steel fibers applied at a rate of 50-lbs./Cubic Yard may be used. Nylon or polypropylene fiber are not recommended.
- 3) Crack control joints shall be sawed into slab to form approximate square patterns. The maximum spacing for control joints shall not exceed 12'-6", unless shown otherwise on this drawing. The bleacher frames shall not be set on control joints. The designer shall contact NRS to coordinate joint spacing requirements with the specific bleacher design.
- 4) The slab may be sloped a maximum of 1/8 inch per foot for drainage. The maximum overall out of level slope for the slab perpendicular to the seats (front to rear) shall not exceed 2" and parallel to the seats (end to end) shall not exceed 4".



2810 Sydney Road
Plant City, Florida 33566
Phone: 813-305-1415
Fax: 813-305-1419
www.gtgrandstands.com



FOUNDATION PLAN
8 ROW BLEACHER
WITH AISLE

GS-0827ADC-A
OPTIONAL MUD SILL (-MS)

DRAWN BY
MME
CHECKED BY

DATE
12/14/2016
SCALE

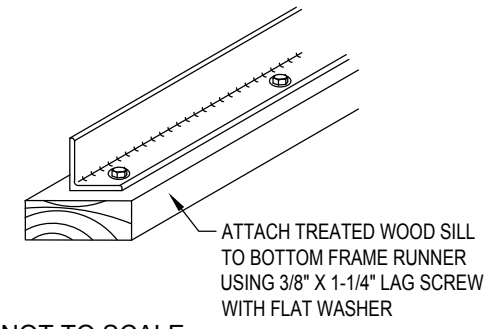
JOB NO.

GS-0827ADC-A

DWG NO.

FP.1

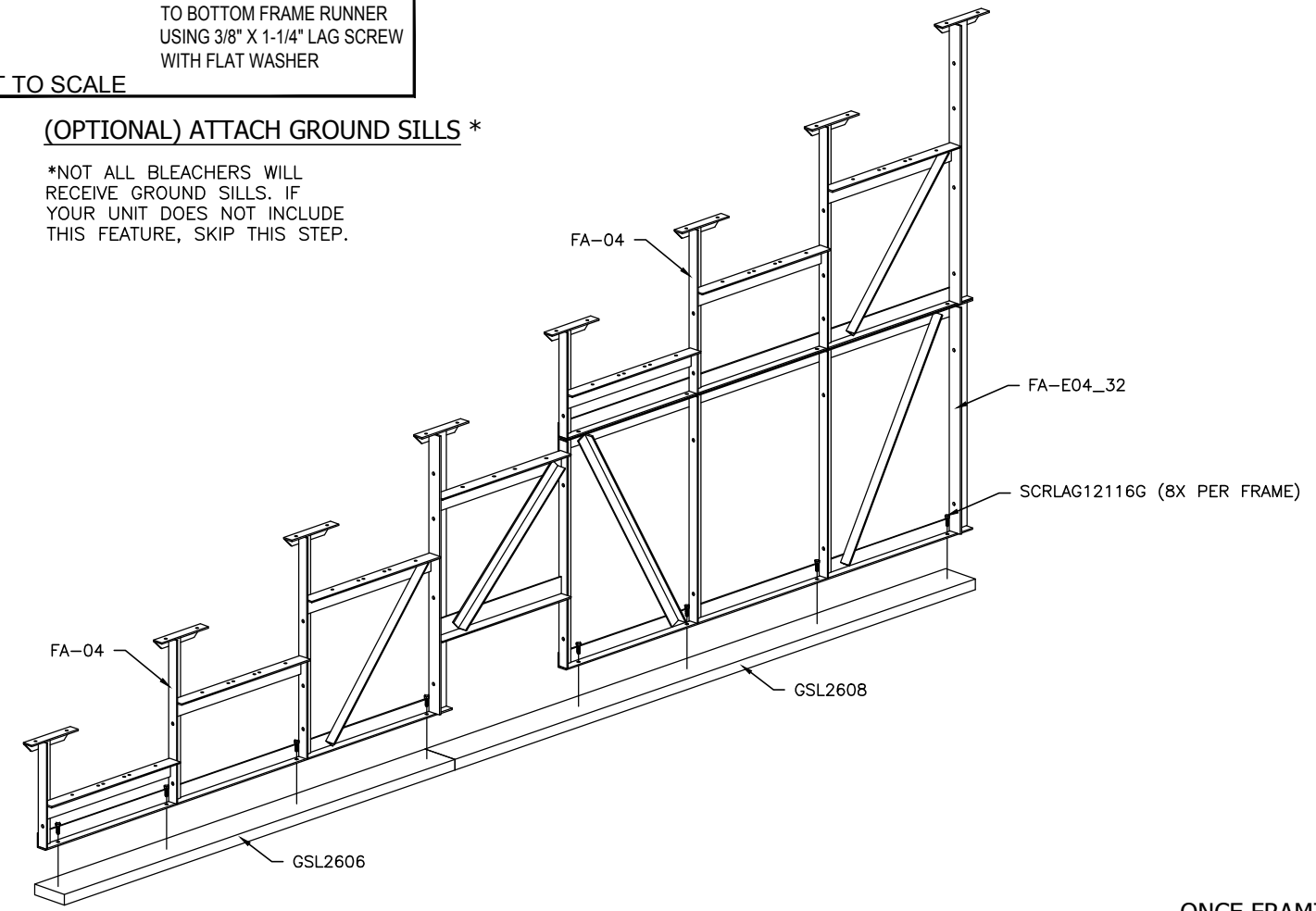
○(OPTIONAL)MUD SILL ATTACHMENT



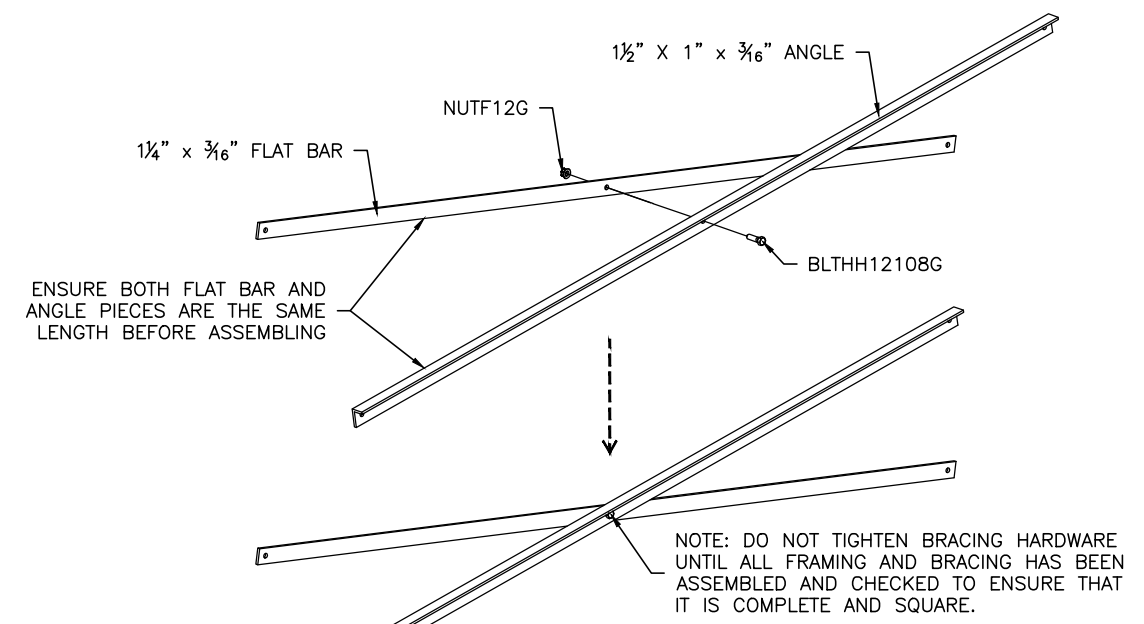
NOT TO SCALE

(OPTIONAL) ATTACH GROUND SILLS *

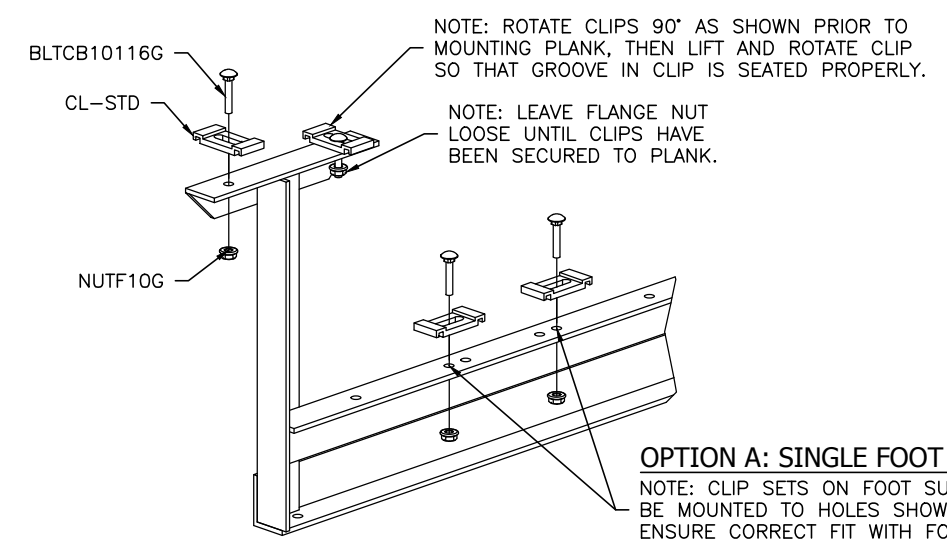
*NOT ALL BLEACHERS WILL RECEIVE GROUND SILLS. IF YOUR UNIT DOES NOT INCLUDE THIS FEATURE, SKIP THIS STEP.



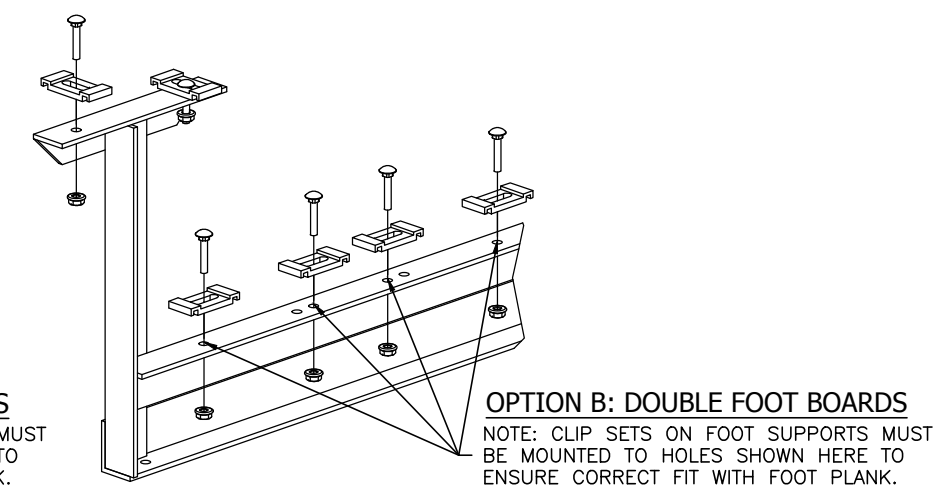
PRE-ASSEMBLE X-BRACE PAIR(S)



ONCE FRAMING IS COMPLETE, PRE-ASSEMBLE CLIP SETS ON BLEACHER FRAMES



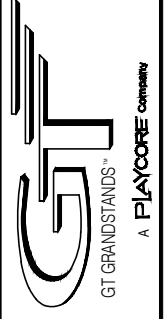
OPTION A: SINGLE FOOT BOARDS
NOTE: CLIP SETS ON FOOT SUPPORTS MUST BE MOUNTED TO HOLES SHOWN HERE TO ENSURE CORRECT FIT WITH FOOT PLANK.



OPTION B: DOUBLE FOOT BOARDS
NOTE: CLIP SETS ON FOOT SUPPORTS MUST BE MOUNTED TO HOLES SHOWN HERE TO ENSURE CORRECT FIT WITH FOOT PLANK.



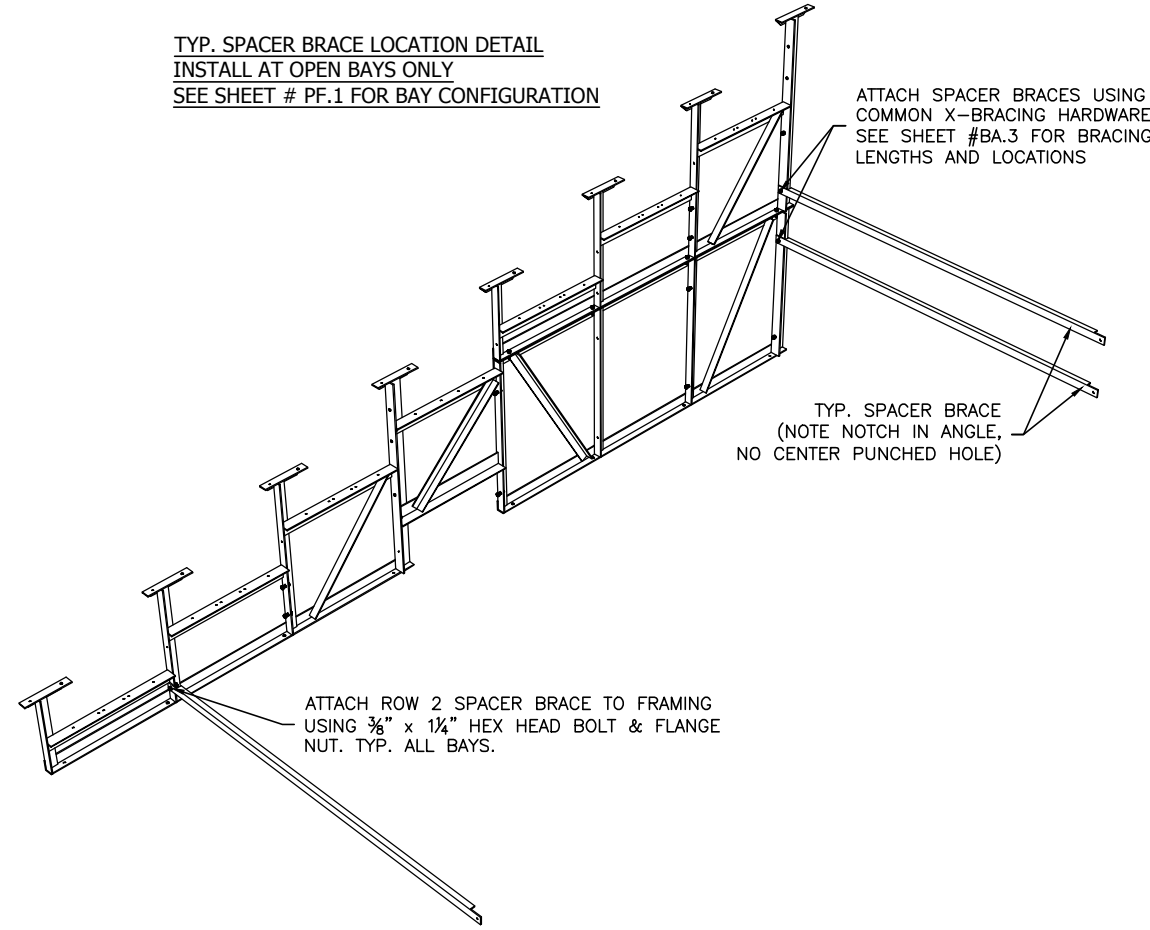
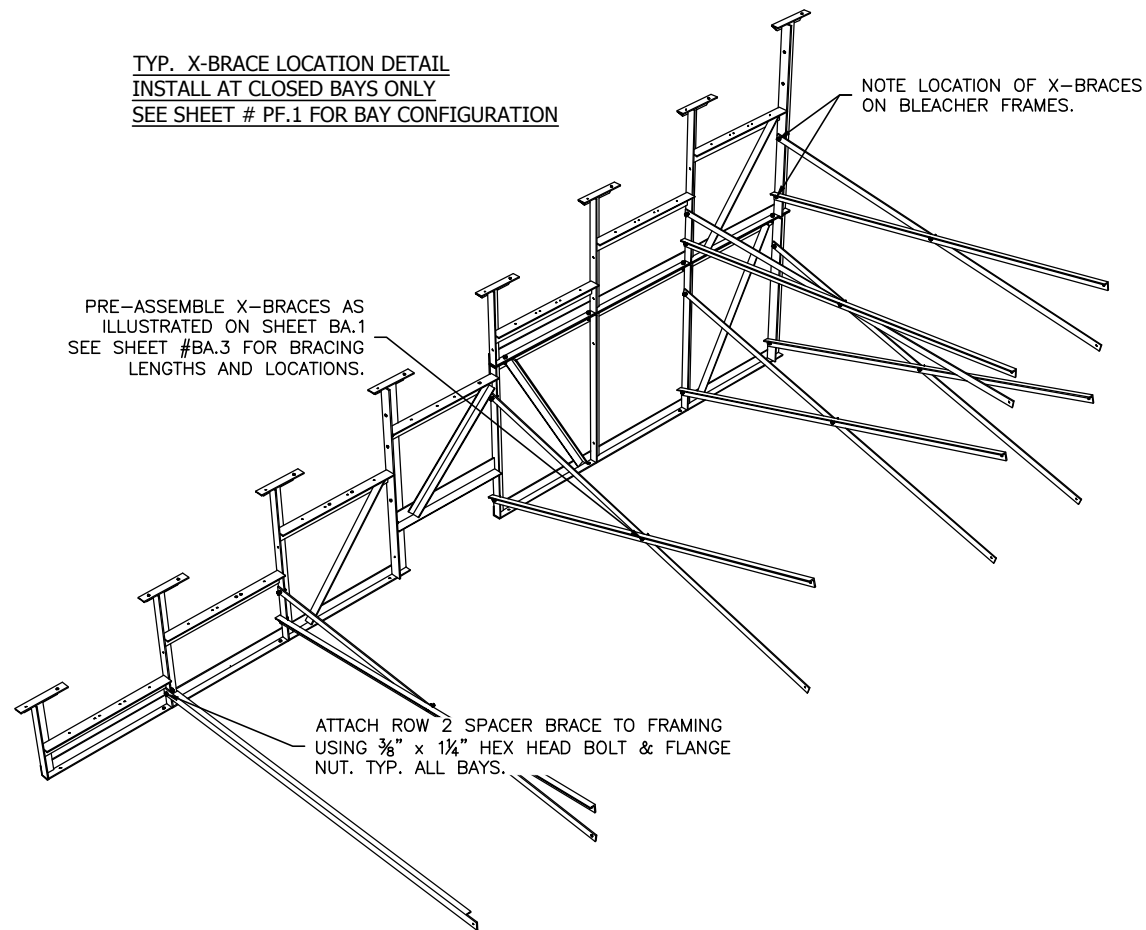
2810 Sydney Road
Plant City, Florida 33566
Phone: 813-305-1415
Fax: 813-305-1419
www.gtgrandstands.com



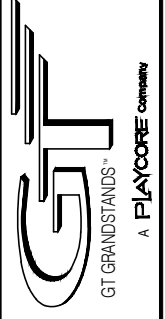
FRAMING & CLIP PRE-ASSEMBLY
8 ROW BLEACHER
WITH AISLE

GS-0827ADC-A
OPTIONAL MUD SILL (-MS)

DRAWN BY
MME
CHECKED BY
DATE
12/14/2016
SCALE
JOB NO.
GS-0827ADC-A
DWG NO.



2810 Sydney Road
 Plant City, Florida 33566
 Phone: 813-305-1415
 Fax: 813-305-1419
 www.gtgrandstands.com



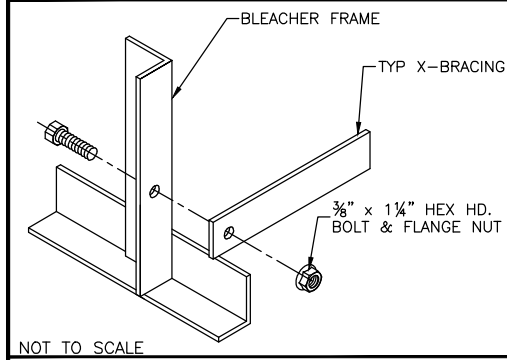
BRACING LOCATION PLAN
 8 ROW BLEACHER
 WITH AISLE

GS-0827ADC-A
 OPTIONAL MUD SILL (-MS)

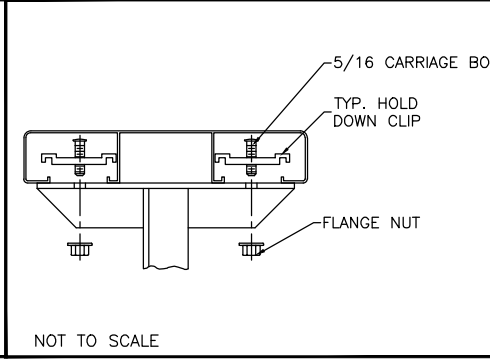
DRAWN BY
 MME
 CHECKED BY
 DATE
 12/14/2016
 SCALE
 JOB NO.
 GS-0827ADC-A

DWG NO.
 BA.2

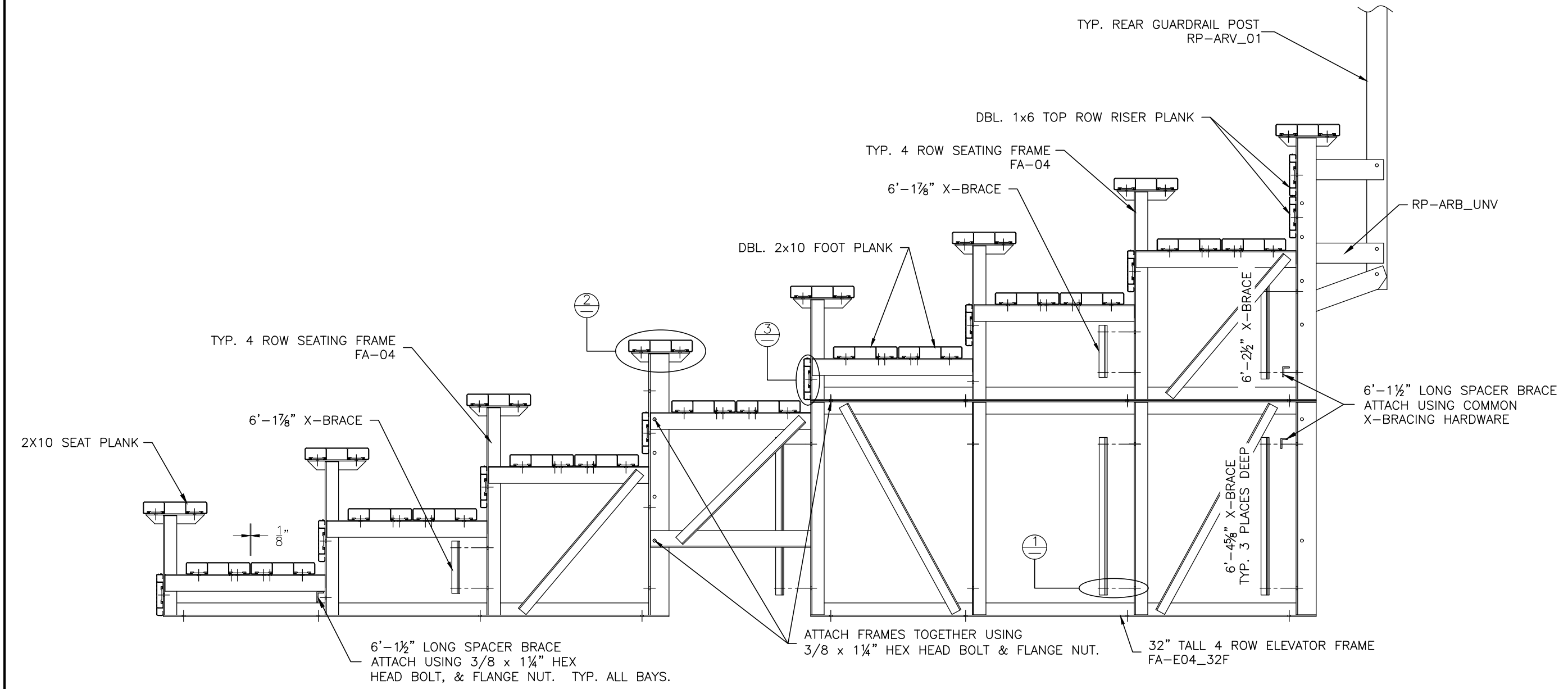
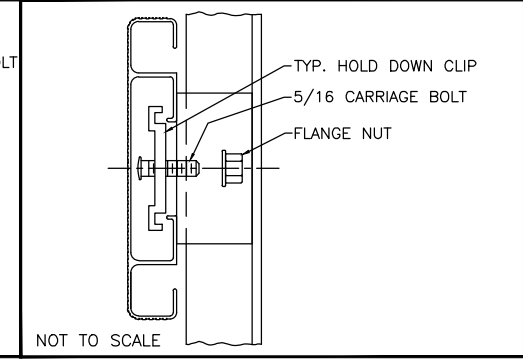
① TYP X-BRACE CONN. W/ 1 1/4" BOLT



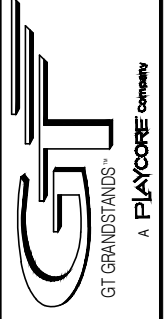
② TYP 2x10 PLANK ATTACHMENT



③ TYP 1x6 PLANK ATTACHMENT



2810 Sydney Road
Plant City, Florida 33566
Phone: 813-305-1415
Fax: 813-305-1419
www.gtgrandstands.com



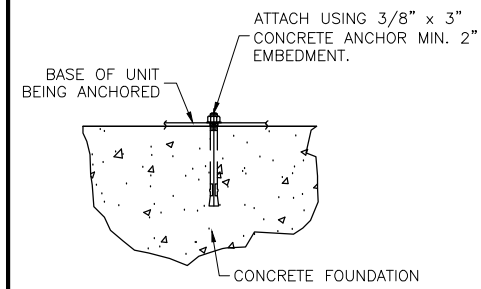
BLEACHER ASSEMBLY
8 ROW BLEACHER
WITH AISLE

GS-0827ADC-A
OPTIONAL MUD SILL (-MS)

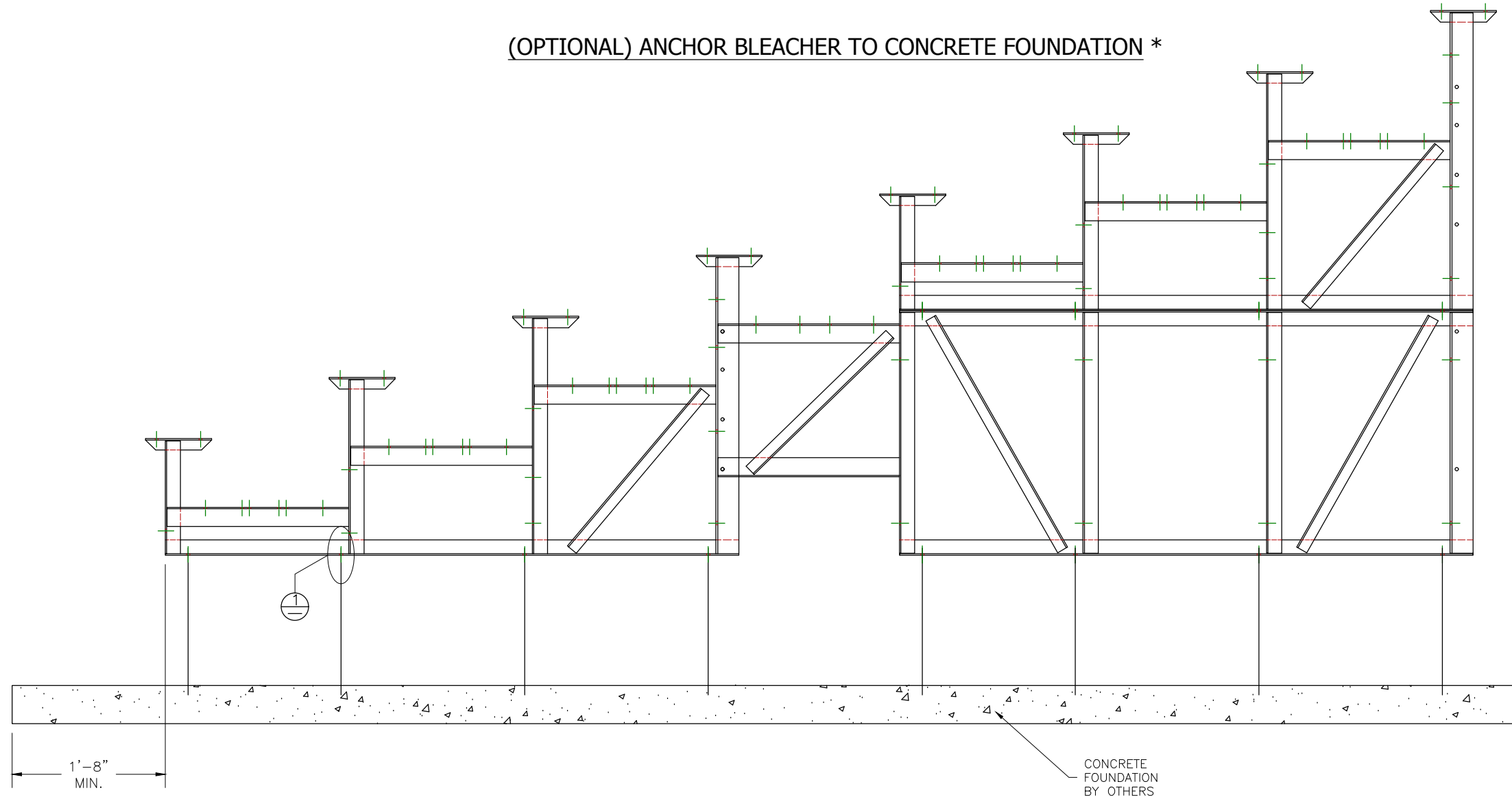
DRAWN BY
MME
CHECKED BY
DATE
12/14/2016
SCALE
JOB NO.
GS-0827ADC-A
DWG NO.

BA.3

WEDGE ANCHOR DETAIL - 3"



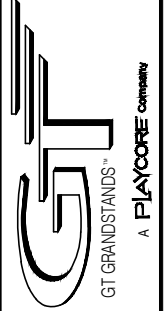
(OPTIONAL) ANCHOR BLEACHER TO CONCRETE FOUNDATION *



* CONCRETE WEDGE ANCHORS NOT INCLUDED WITH ALL UNITS. IF USING OTHER ANCHORING SYSTEM, SKIP THIS STEP AND REFER TO INSTRUCTIONS SPECIFIC TO THE ANCHORING SYSTEM PURCHASED FOR YOUR UNIT. SEE PRINT FP.1 (INCLUDED IN THIS PACKET) FOR GENERAL CONCRETE FOUNDATION SPECIFICATIONS.



2810 Sydney Road
Plant City, Florida 33566
Phone: 813-305-1415
Fax: 813-305-1419
www.gtgrandstands.com

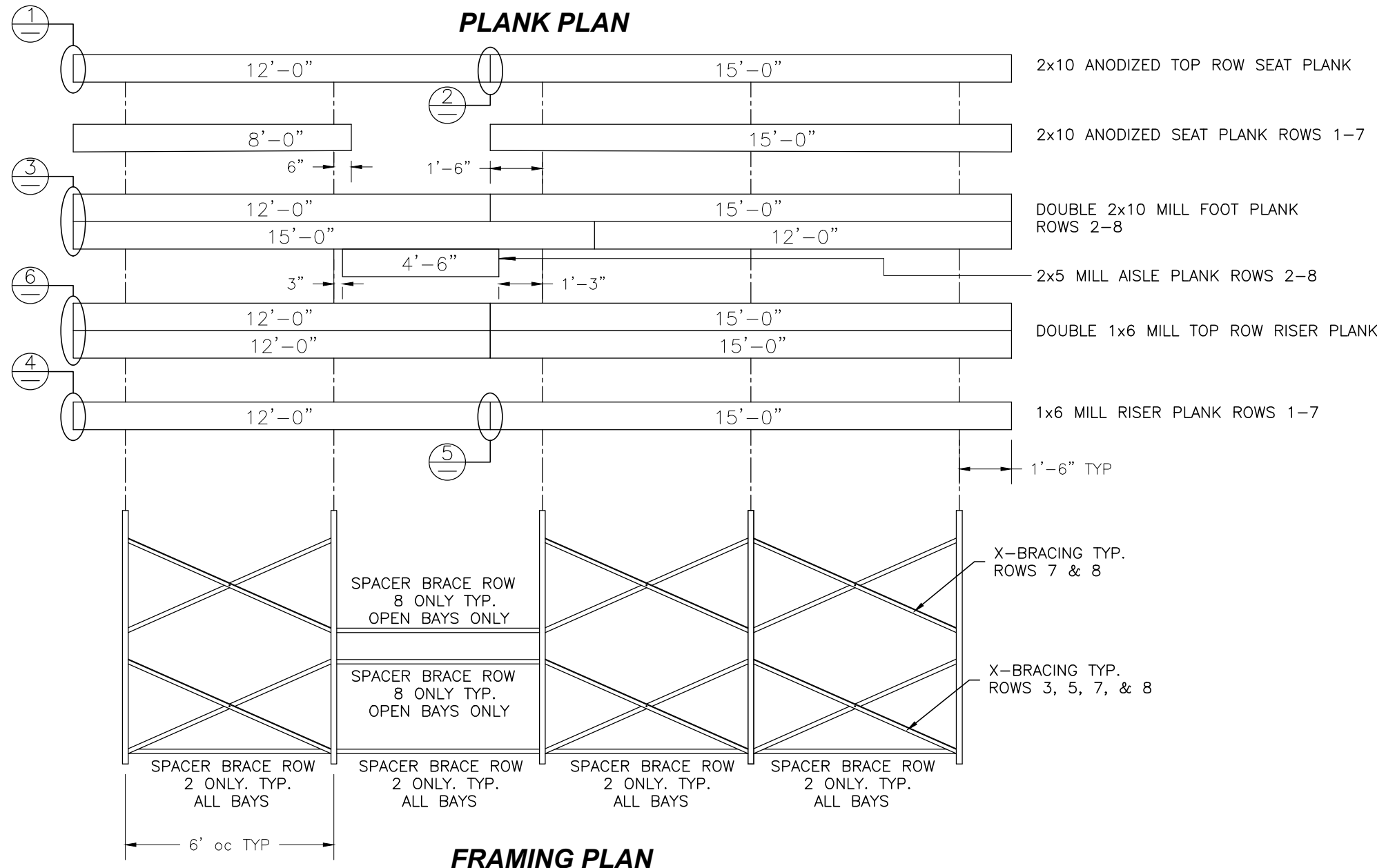
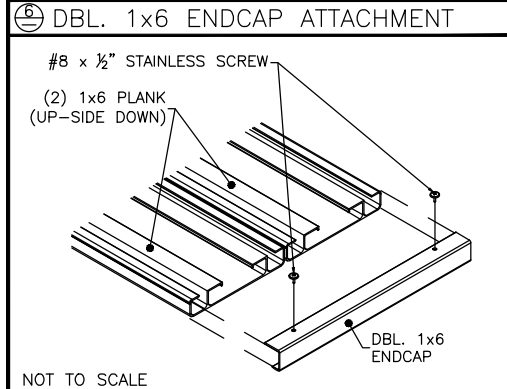
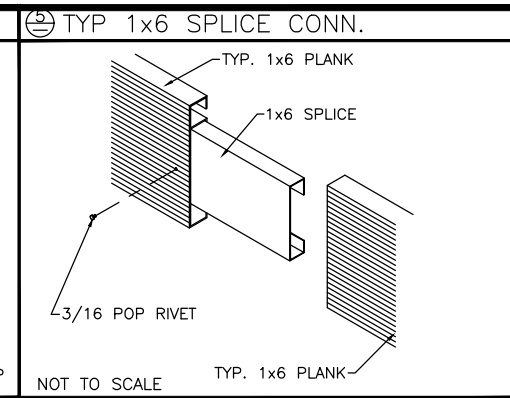
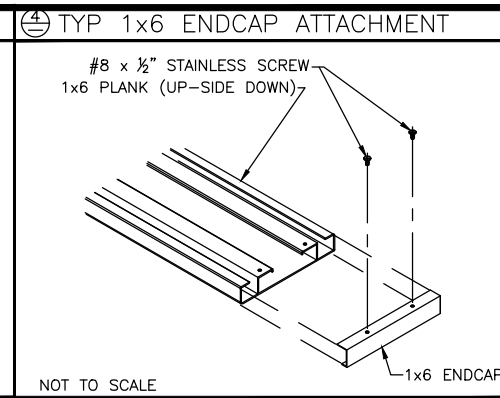
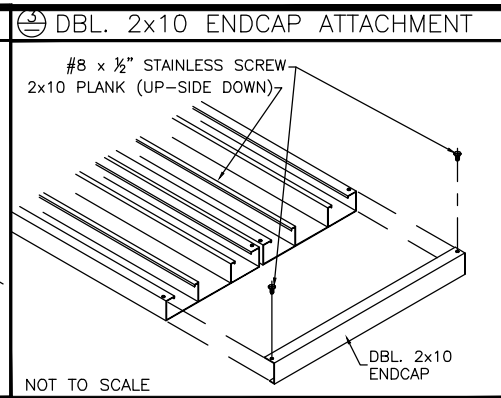
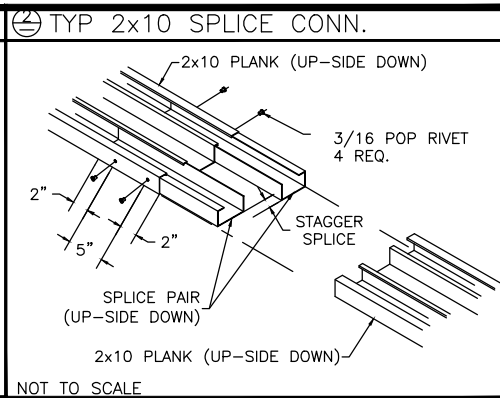
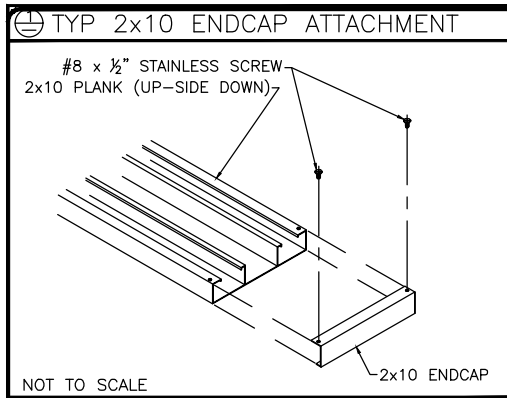


ANCHORING PLAN
8 ROW BLEACHER
WITH AISLE

GS-0827ADC-A
OPTIONAL MUD SILL (-MS)

DRAWN BY
MME
CHECKED BY
DATE
12/14/2016
SCALE
JOB NO.
GS-0827ADC-A

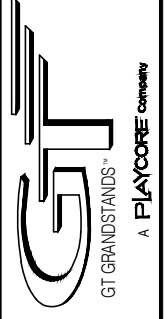
DWG NO.
AP.1



FRAMING PLAN



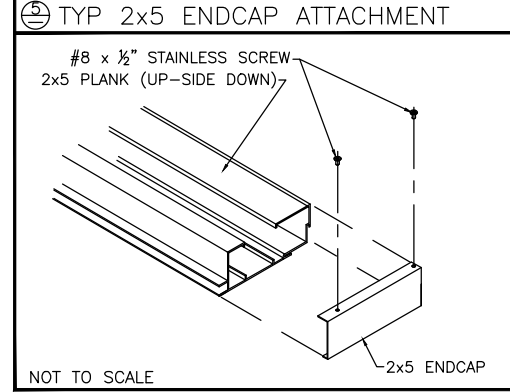
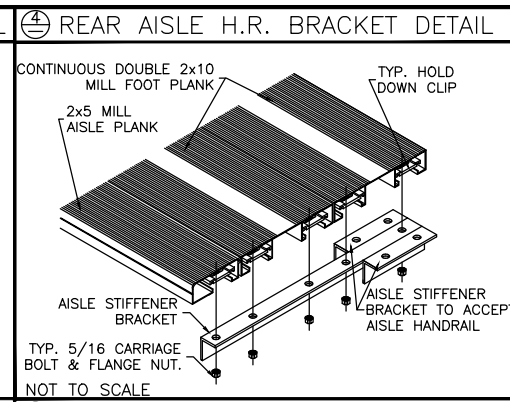
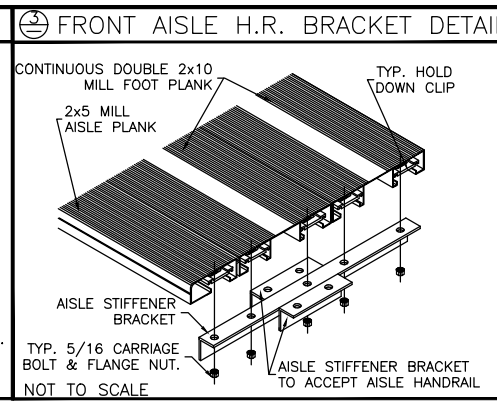
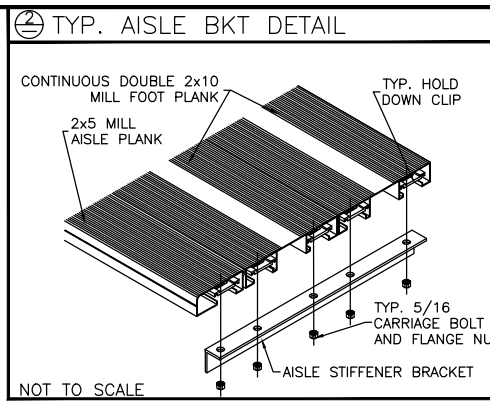
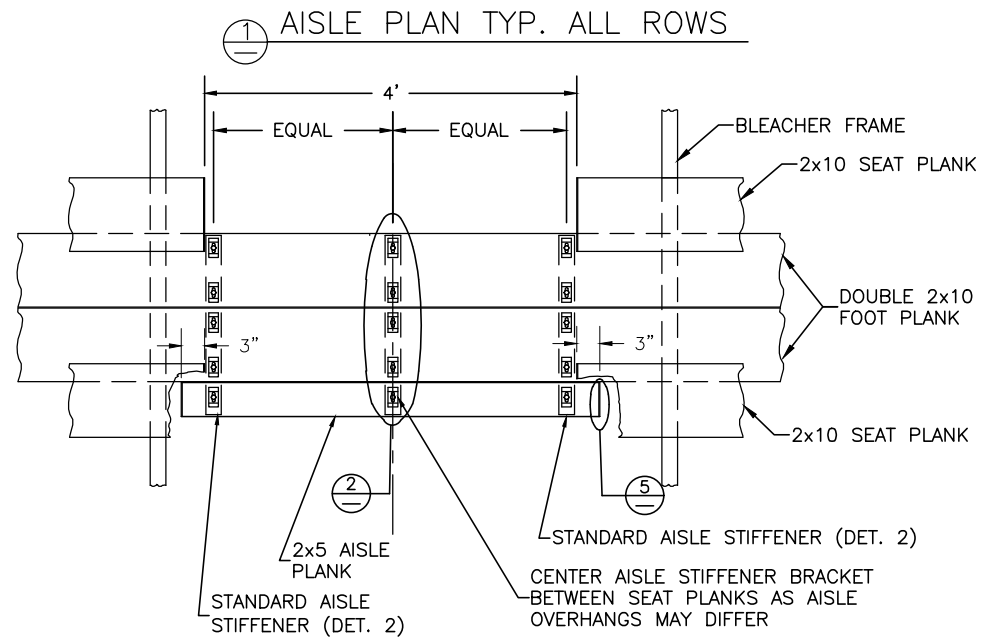
2810 Sydney Road
Plant City, Florida 33566
Phone: 813-305-1415
Fax: 813-305-1419
www.gtgrandstands.com



PLANK & FRAMING PLAN
8 ROW BLEACHER
WITH AISLE

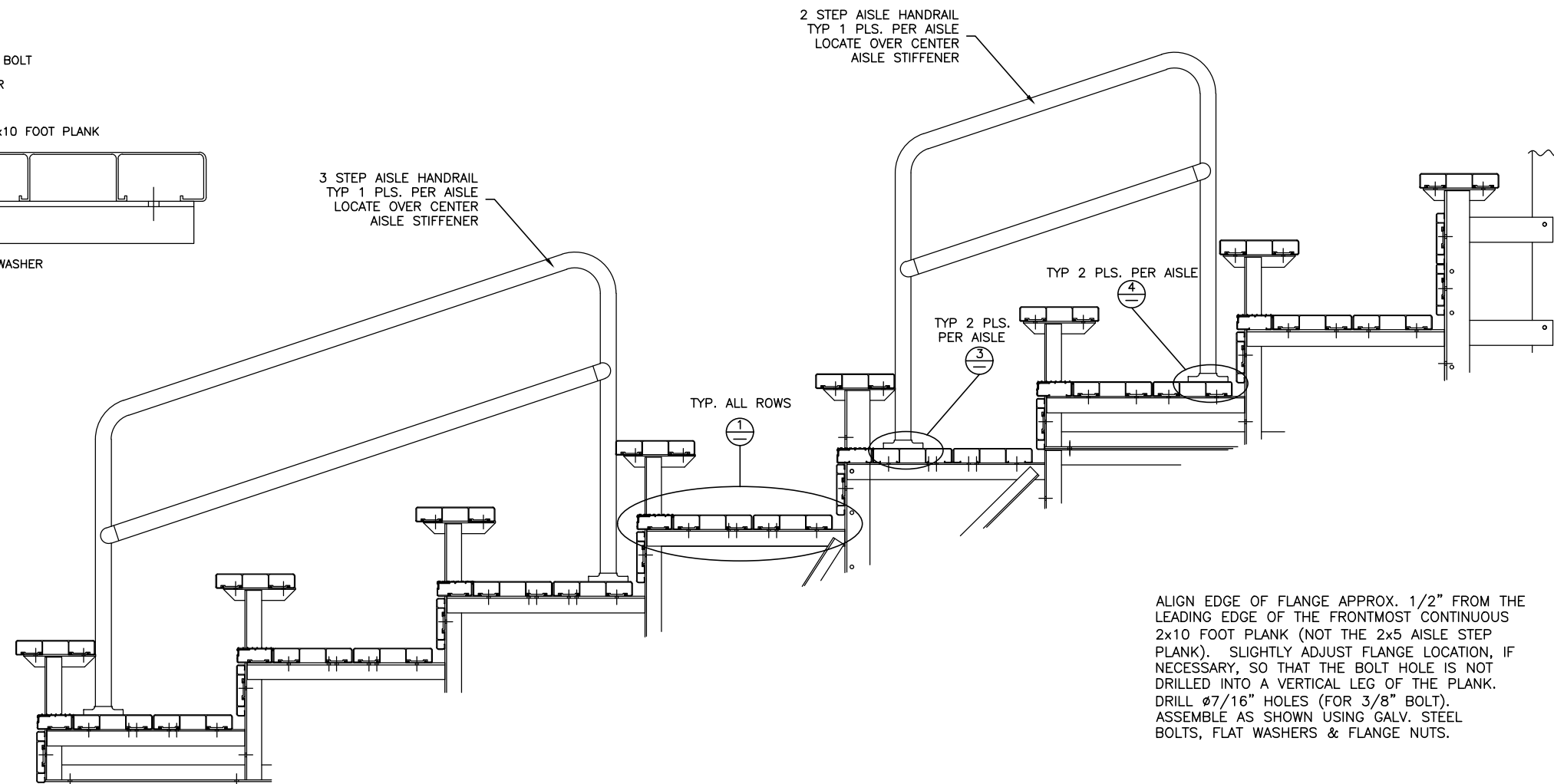
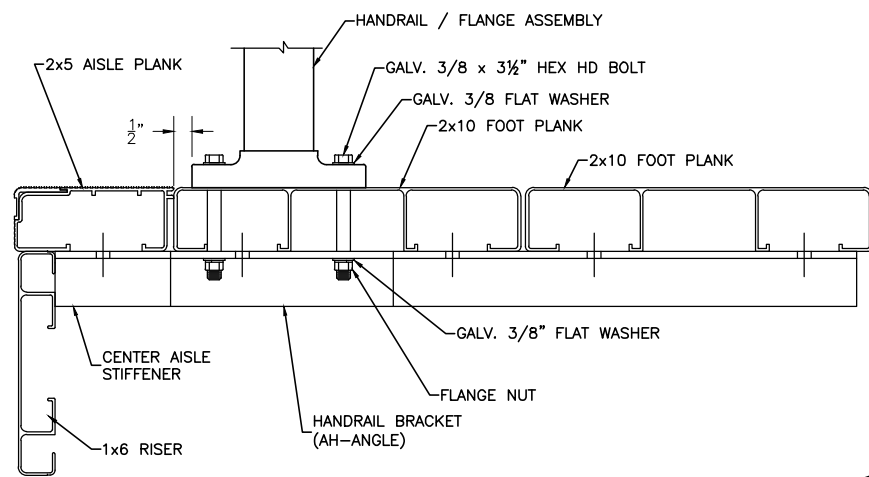
GS-0827ADC-A
OPTIONAL MUD SILL (-MS)

DRAWN BY
MME
CHECKED BY
DATE
12/14/2016
SCALE
JOB NO.
GS-0827ADC-A
DWG NO.



DETAIL A

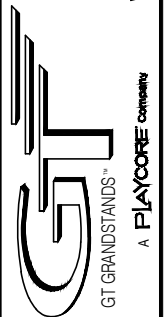
FRONT HANDRAIL ASSEMBLY SHOWN
LOCATE OVER REAR FOOT PLANK FOR REAR ASSEMBLY



ALIGN EDGE OF FLANGE APPROX. 1/2" FROM THE LEADING EDGE OF THE FRONTMOST CONTINUOUS 2x10 FOOT PLANK (NOT THE 2x5 AISLE STEP PLANK). SLIGHTLY ADJUST FLANGE LOCATION, IF NECESSARY, SO THAT THE BOLT HOLE IS NOT DRILLED INTO A VERTICAL LEG OF THE PLANK. DRILL $\phi 7/16"$ HOLES (FOR 3/8" BOLT). ASSEMBLE AS SHOWN USING GALV. STEEL BOLTS, FLAT WASHERS & FLANGE NUTS.



2810 Sydney Road
Plant City, Florida 33566
Phone: 813-305-1415
Fax: 813-305-1419
www.gtgrandstands.com

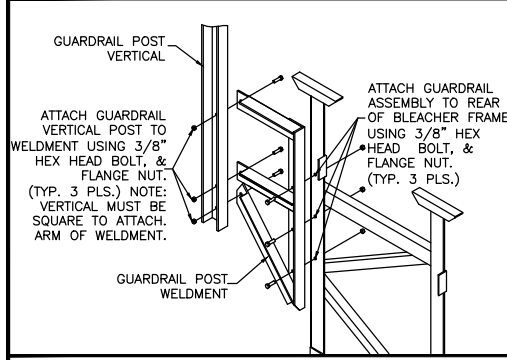


VERTICAL AISLE ASSEMBLY
8 ROW BLEACHER
WITH AISLE

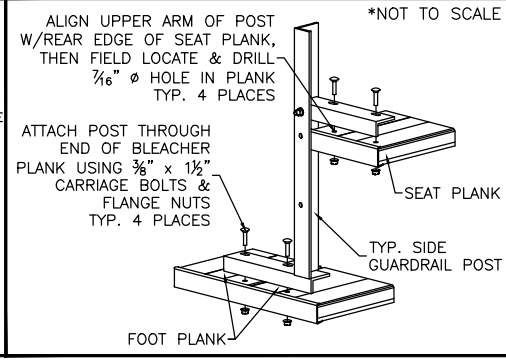
GS-0827ADC-A
OPTIONAL MUD SILL (-MS)

DRAWN BY	MME
CHECKED BY	
DATE	12/14/2016
SCALE	
JOB NO.	GS-0827ADC-A
DWG NO.	VA.1

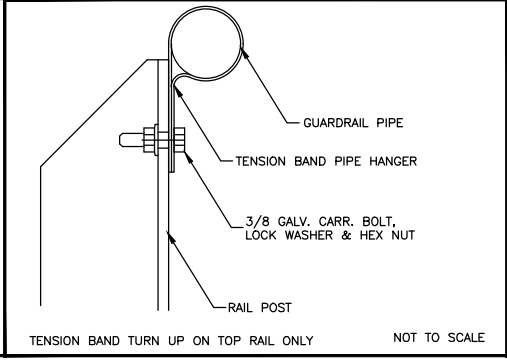
REAR GUARDRAIL POST ATTACH.



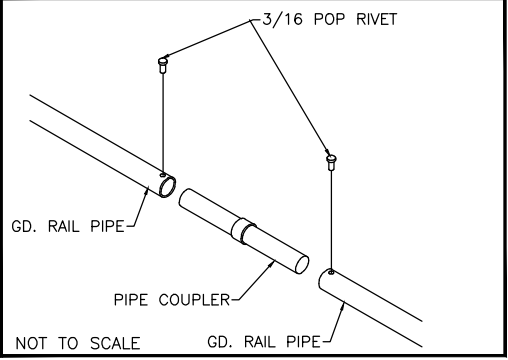
SIDE GD. RAIL POST INSTALLATION



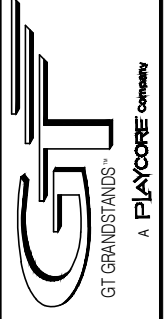
TENSION BAND ATTACHMENT



PIPE COUPLER INSTALLATION



2810 Sydney Road
Plant City, Florida 33566
Phone: 813-305-1415
Fax: 813-305-1419
www.gtgrandstands.com



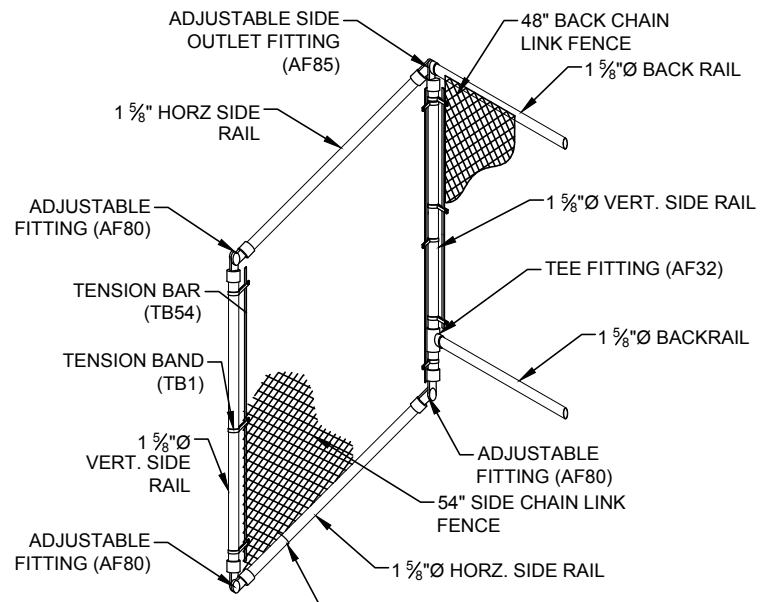
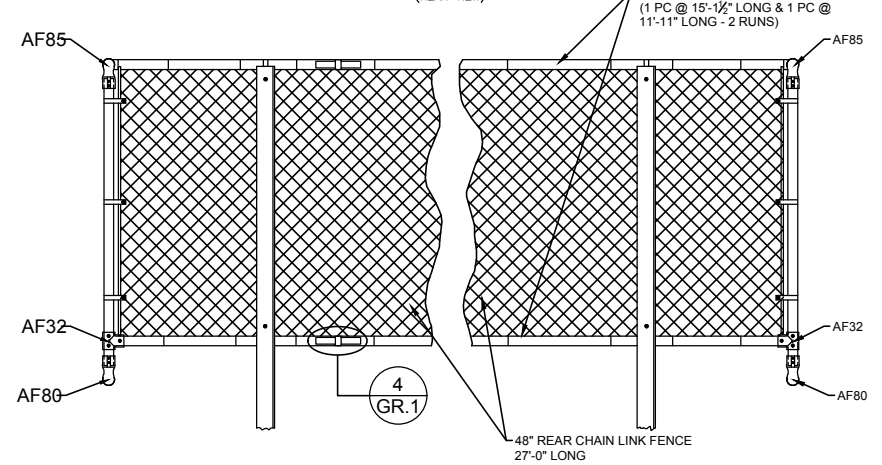
GUARDRAIL ASSEMBLY
8 ROW BLEACHER
WITH AISLE

GS-0827ADC-A
OPTIONAL MUD SILL (-MS)

DRAWN BY
MME
CHECKED BY
DATE
12/14/2016
SCALE
JOB NO.
GS-0827ADC-A
DWG NO.

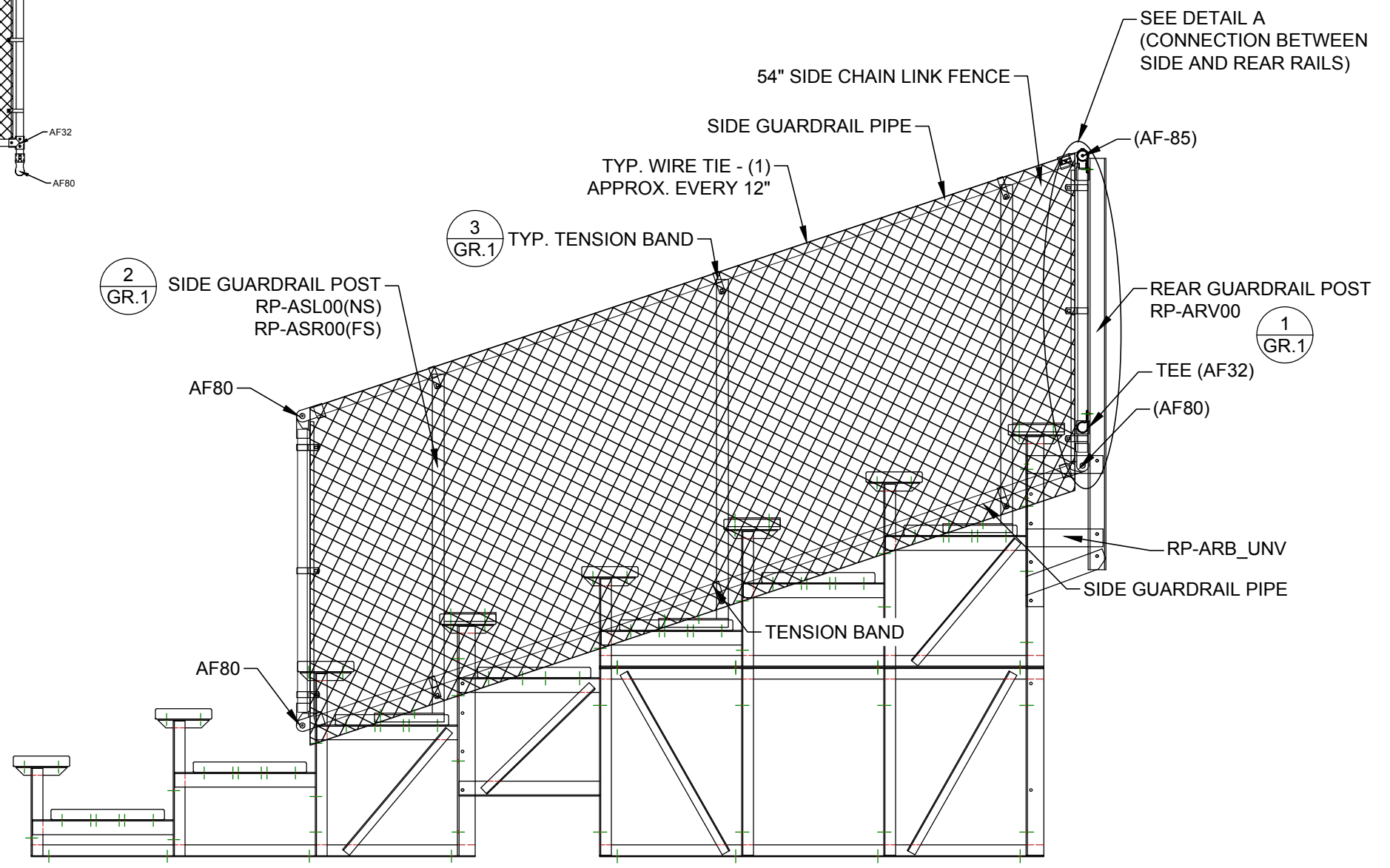
GR.1

REAR GUARDRAIL (REAR VIEW)



CAUTION:
PARTS "HDSI" (1" WIDE) AND "TB1" (3/8" WIDE) ARE SIMILAR - CARE SHOULD BE TAKEN TO IDENTIFY THESE PARTS CORRECTLY.

DETAIL A
SCALE: 3/8" = 1' - 0"



GUARDRAIL ASSEMBLY
SCALE: 1/2" = 1' - 0"