

ALUMINUM 8 ROW x 21'-0" - GTG SERIES

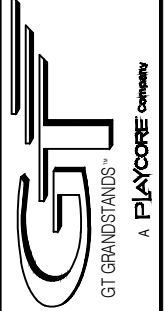
MODEL

GS-0821ADC-A

OPTIONS: -RB = RUBBER BUMPERS
-MS = MUD SILLS



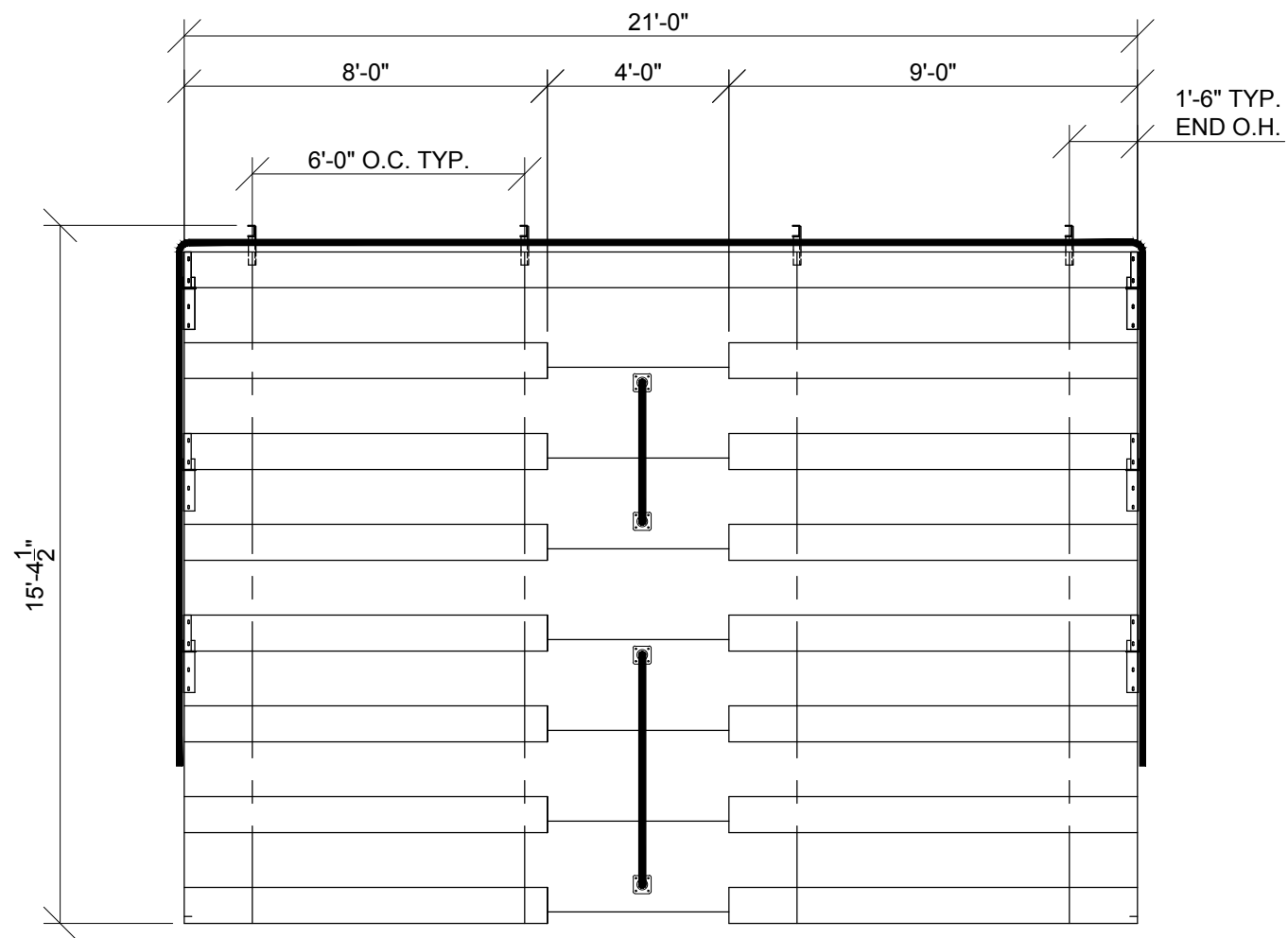
2810 Sydney Road
Plant City, Florida 33566
Phone: 813-305-1415
Fax: 813-305-1419
www.gtgrandstands.com



COVER SHEET
8 ROW BLEACHER
WITH AISLE

GS-0821ADC-A
OPTIONAL MUD SILL (-MS)

DRAWN BY GOB
CHECKED BY
DATE 4/18/2017
SCALE
JOB NO. GS-0821ADC-A
DWG NO. CS.1



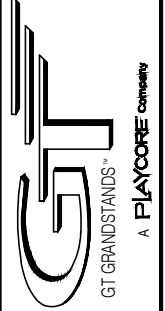
SEATING PLAN

SCALE: 1/4" = 1' - 0"

SECTION LENGTH	GROSS SEATS	ACTUAL SEATS	NO. OF ROWS	NET SEATS
21	14.00	14.00	1	14
8	5.33	5.00	7	35
9	6.00	6.00	7	42
NET SEATS				91
WHEELCHAIR SPACES				0
TOTAL NET SEATING CAPACITY				91
<i>(BASED ON 18" PER SEAT)</i>				



2810 Sydney Road
 Plant City, Florida 33566
 Phone: 813-305-1415
 Fax: 813-305-1419
 www.gtgrandstands.com



SEATING PLAN
 8 ROW BLEACHER
 WITH AISLE

GS-082IADC-A
 OPTIONAL MUD SILL (-MS)

DRAWN BY
 GOB
 CHECKED BY

DATE
 4/18/2017
 SCALE

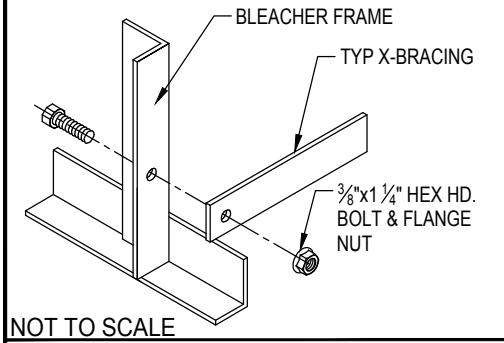
JOB NO.

GS-082IADC-A

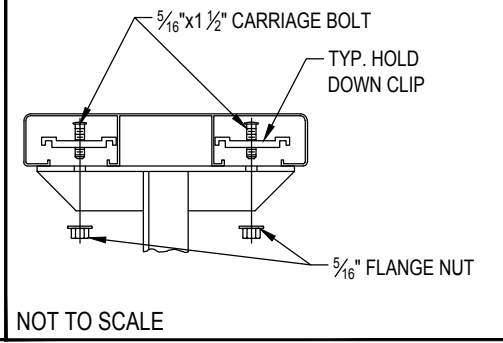
DWG NO.

SP.1

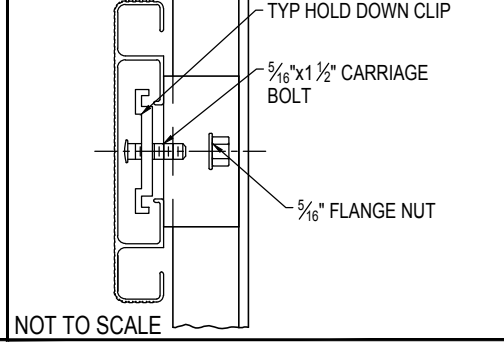
① TYP X-BRACE CONN. W/ 1/4 BOLT



② TYP 2x10 PLANK ATTACHMENT



③ TYP 1x6 PLANK ATTACHMENT



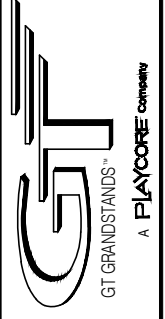
NOT TO SCALE

NOT TO SCALE

NOT TO SCALE



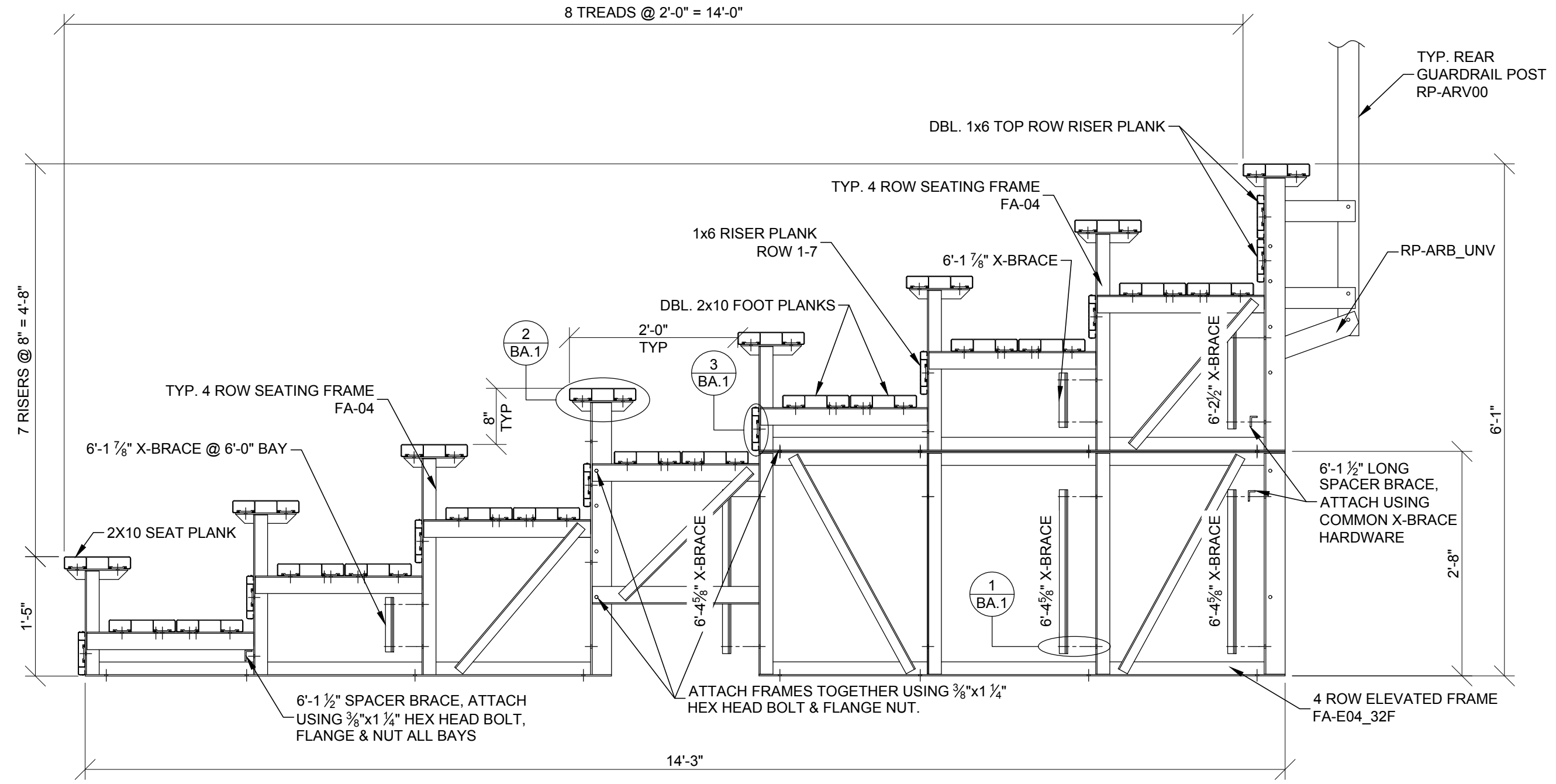
2810 Sydney Road
Plant City, Florida 33566
Phone: 813-305-1415
Fax: 813-305-1419
www.gtgrandstands.com



BLEACHER ASSEMBLY
8 ROW BLEACHER
WITH AISLE

GS-082IADC-A
OPTIONAL MUD SILL (-MS)

DRAWN BY
GOB
CHECKED BY
DATE
4/18/2017
SCALE
JOB NO.
GS-082IADC-A
DWG NO.
BA.1



8 TREADS @ 2'-0" = 14'-0"

7 RISERS @ 8" = 4'-8"

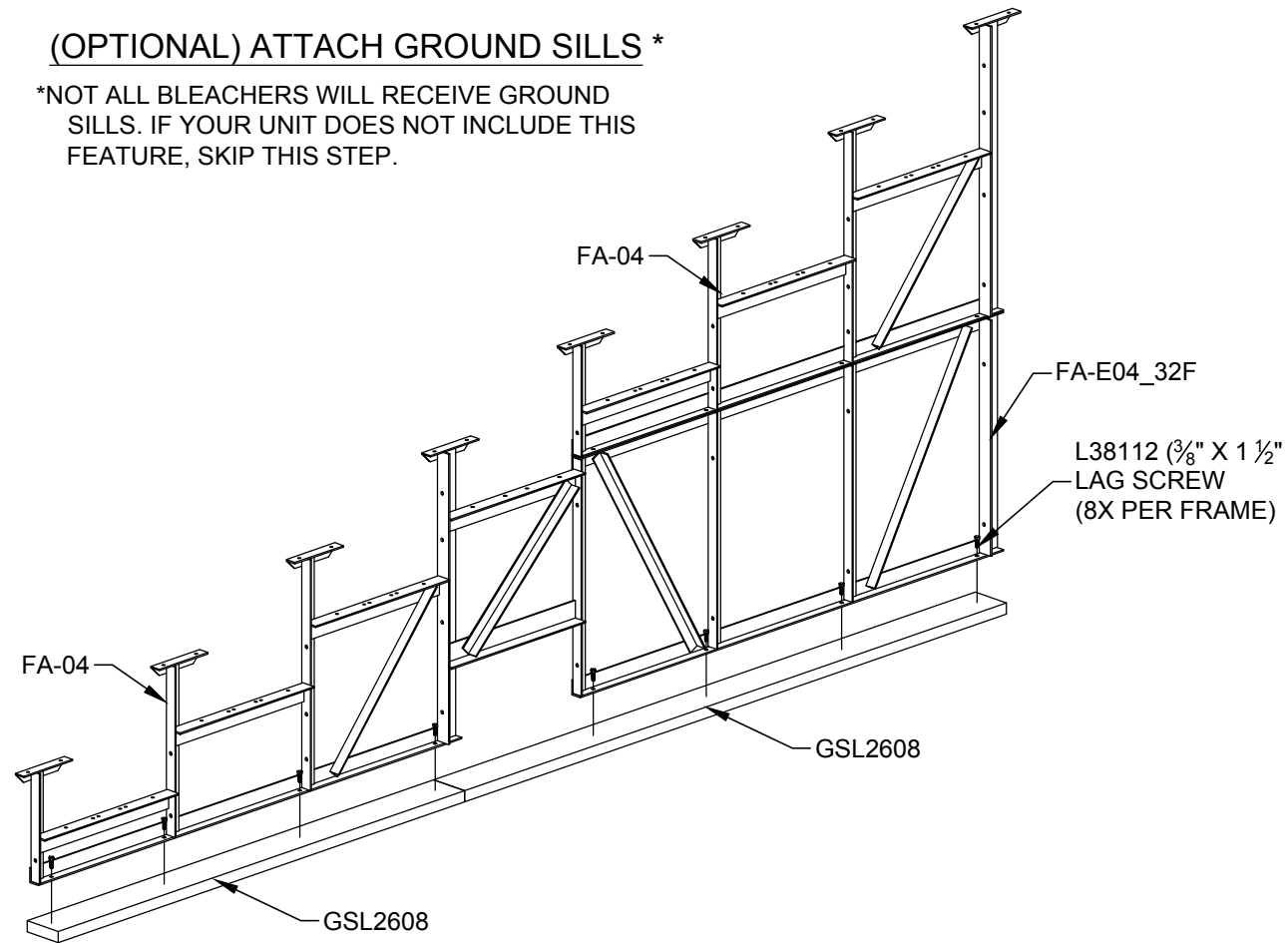
1'-5"

14'-3"

BLEACHER ASSEMBLY
SCALE: 3/4" = 1' - 0"

(OPTIONAL) ATTACH GROUND SILLS *

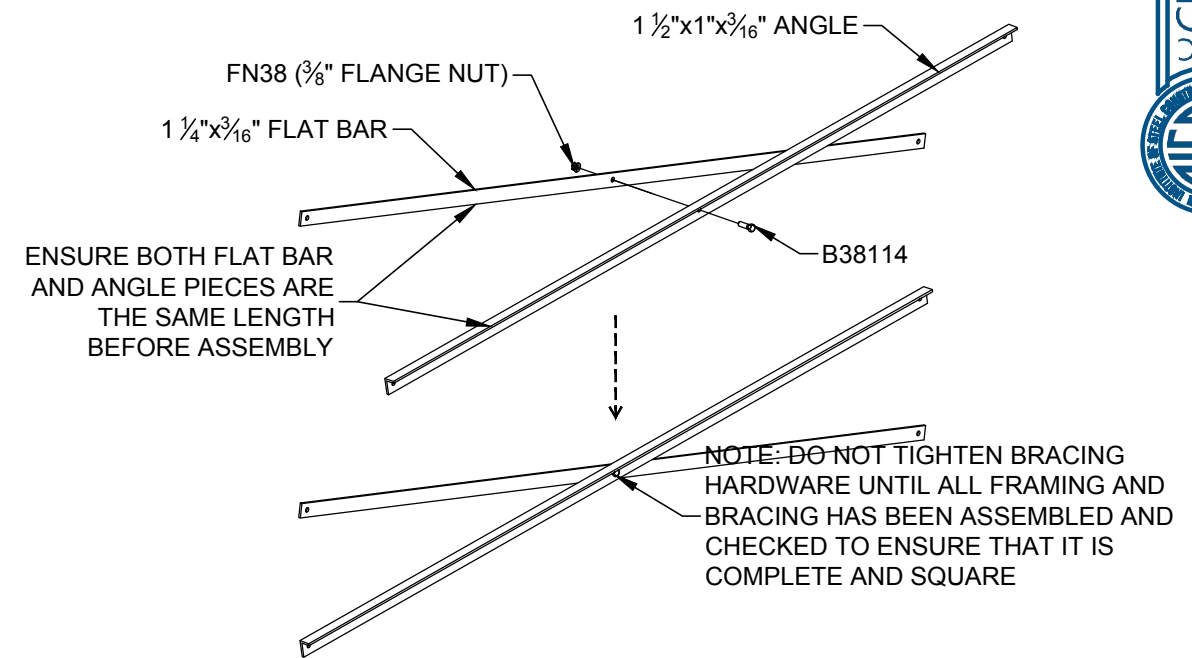
*NOT ALL BLEACHERS WILL RECEIVE GROUND SILLS. IF YOUR UNIT DOES NOT INCLUDE THIS FEATURE, SKIP THIS STEP.



FRAMING ASSEMBLY

SCALE: 1/2" = 1' - 0"

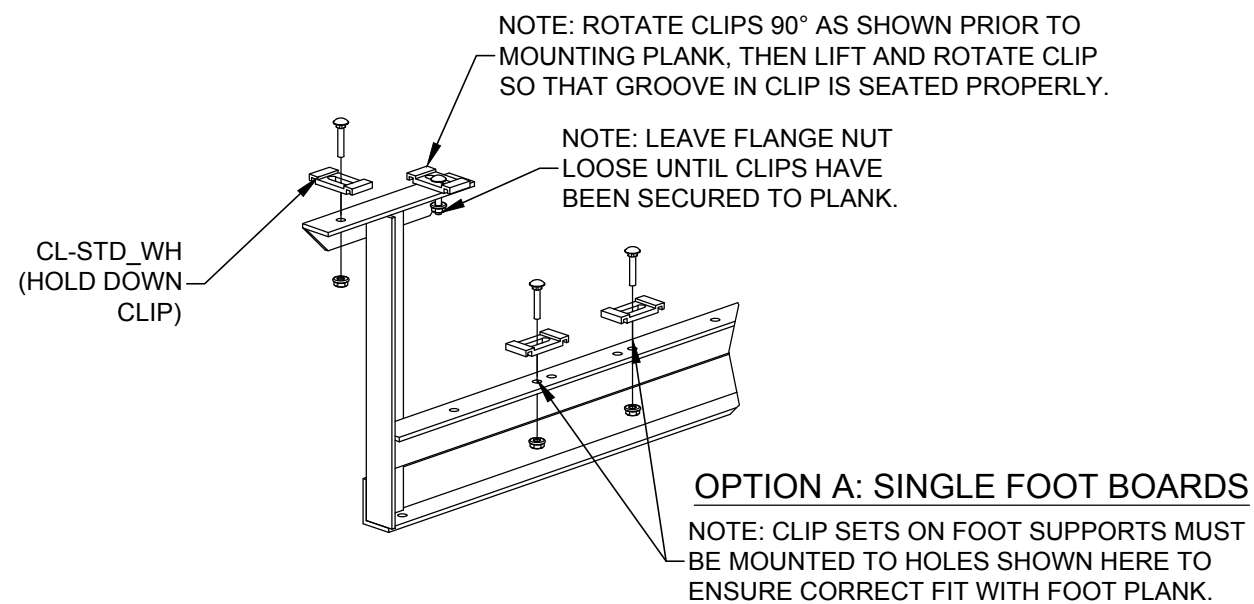
PRE-ASSEMBLE X-BRACE PAIR(S)



X-BRACING ASSEMBLY

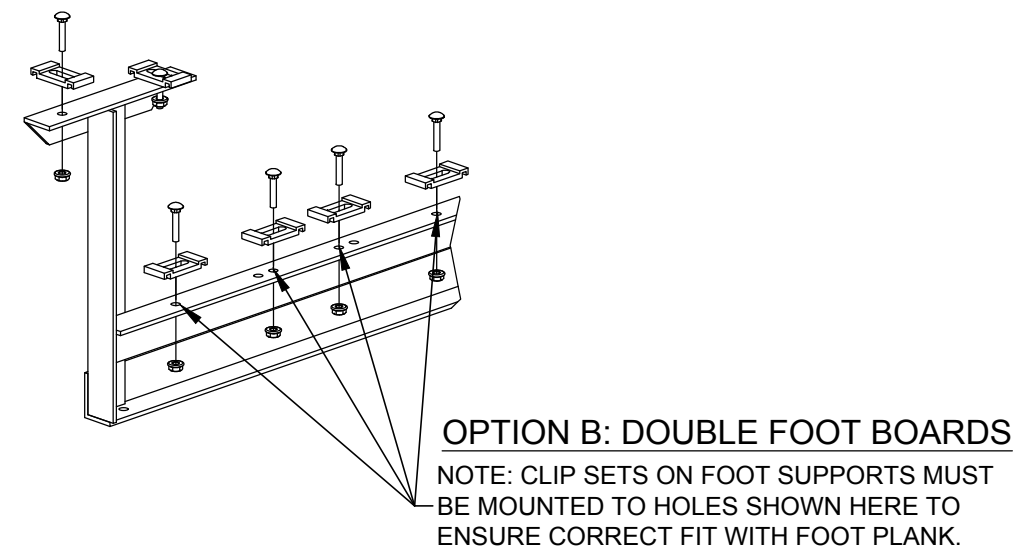
SCALE: 3/4" = 1' - 0"

**ONCE FRAMING IS COMPLETE,
PRE-ASSEMBLE CLIP SETS ON BLEACHER FRAMES**



OPTION A: SINGLE FOOT BOARDS

NOTE: CLIP SETS ON FOOT SUPPORTS MUST BE MOUNTED TO HOLES SHOWN HERE TO ENSURE CORRECT FIT WITH FOOT PLANK.



OPTION B: DOUBLE FOOT BOARDS

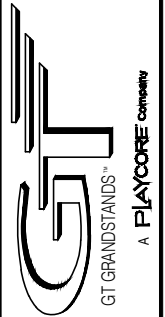
NOTE: CLIP SETS ON FOOT SUPPORTS MUST BE MOUNTED TO HOLES SHOWN HERE TO ENSURE CORRECT FIT WITH FOOT PLANK.

SEAT AND FOOT BOARD ATTACHMENT

SCALE: 3/4" = 1' - 0"



2810 Sydney Road
Plant City, Florida 33566
Phone: 813-305-1415
Fax: 813-305-1419
www.gtgrandstands.com



FRAMING & CLIP PRE-ASSEMBLY
8 ROW BLEACHER
WITH AISLE

GS-082IADC-A
OPTIONAL MUD SILL (-MS)

DRAWN BY
GOB
CHECKED BY

DATE
4/18/2017
SCALE

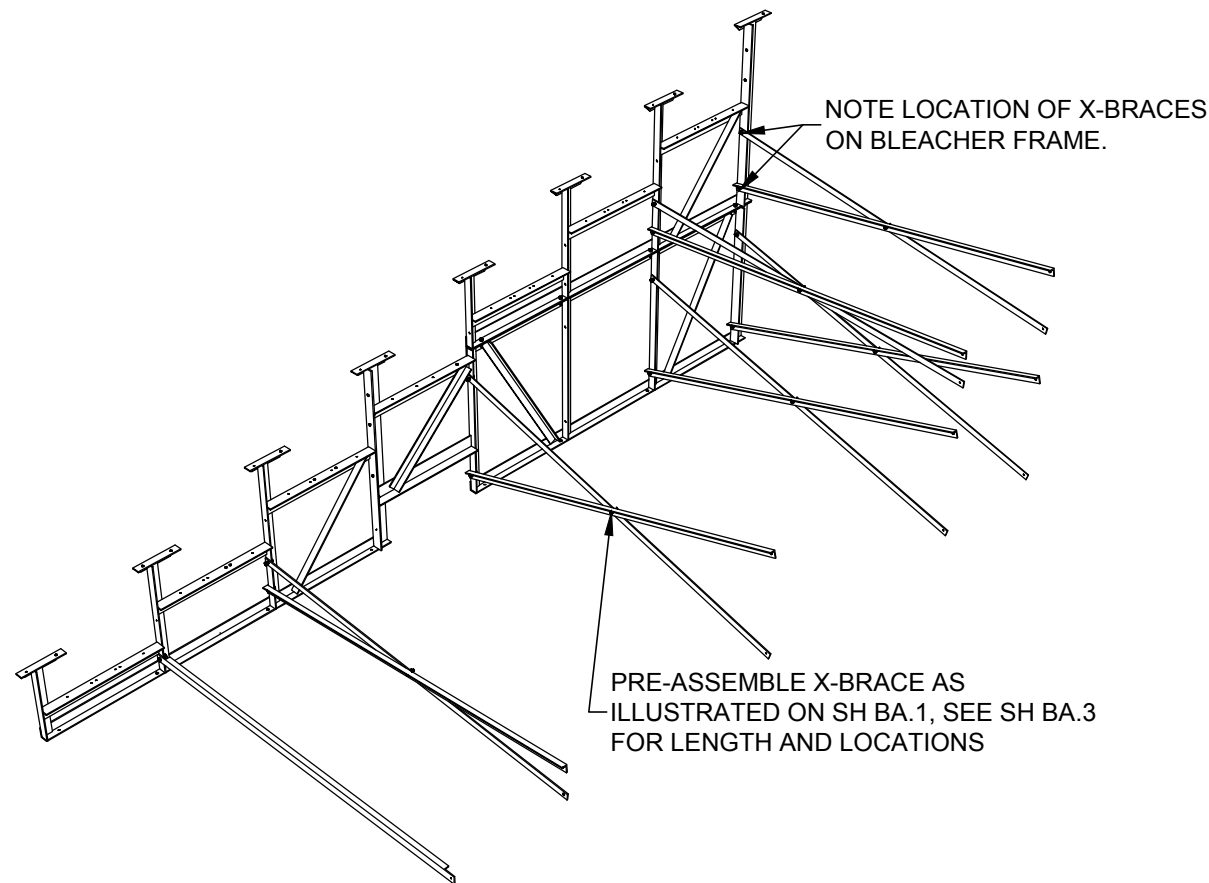
JOB NO.

GS-082IADC-A

DWG NO.

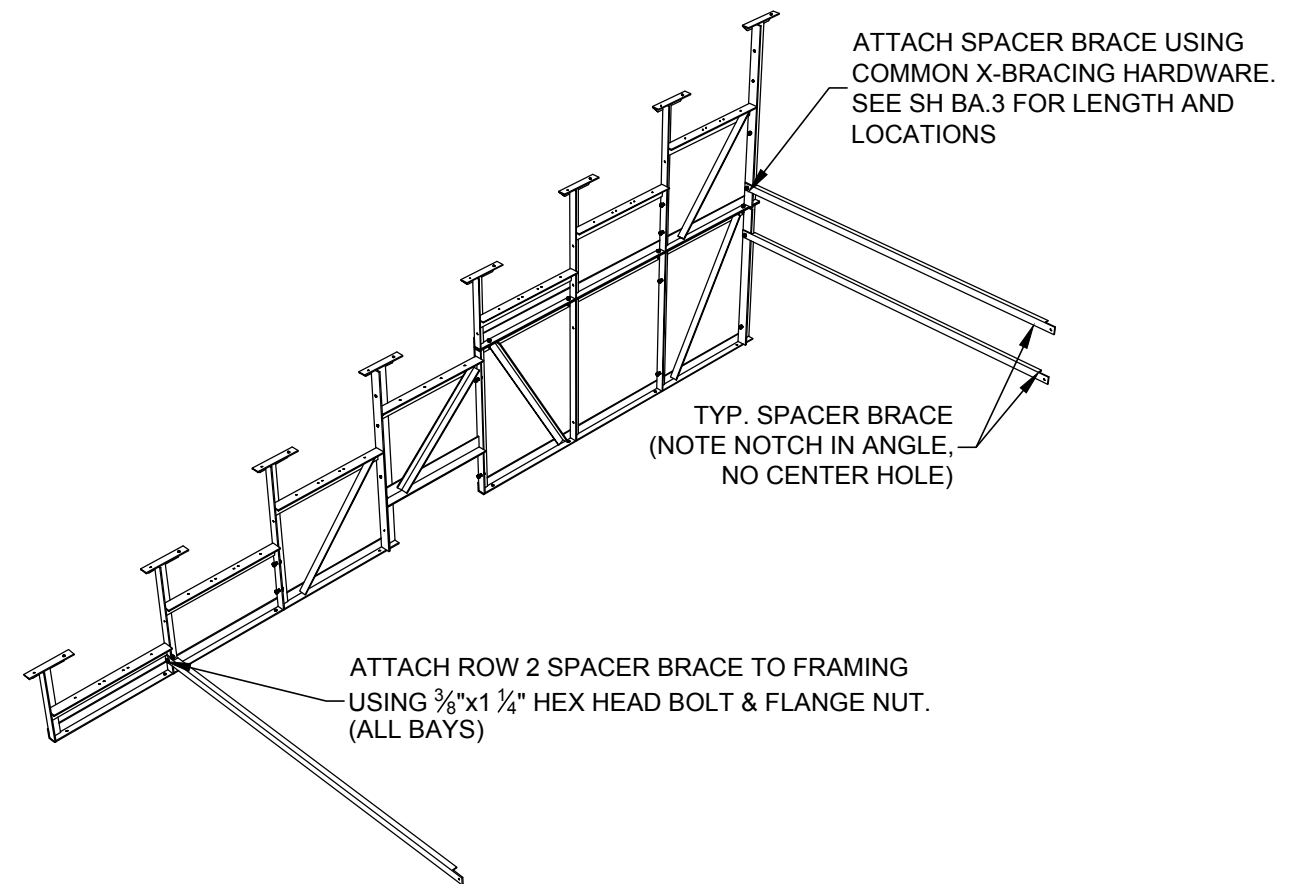
BA.2

TYP. X-BRACE LOCATION DETAIL
INSTALL AT CLOSED BAYS ONLY
SEE SHEET # PF.1 FOR BAY CONFIGURATION



X-BRACE LOCATION
 SCALE: 3/8" = 1' - 0"

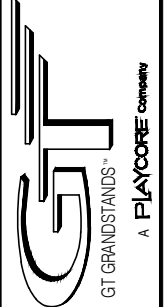
TYP. SPACER BRACE LOCATION DETAIL
INSTALL AT OPEN BAYS ONLY
SEE SHEET # PF.1 FOR BAY CONFIGURATION



SPACER BRACE LOCATION
 SCALE: 3/8" = 1' - 0"



2810 Sydney Road
 Plant City, Florida 33566
 Phone: 813-305-1415
 Fax: 813-305-1419
 www.gtgrandstands.com

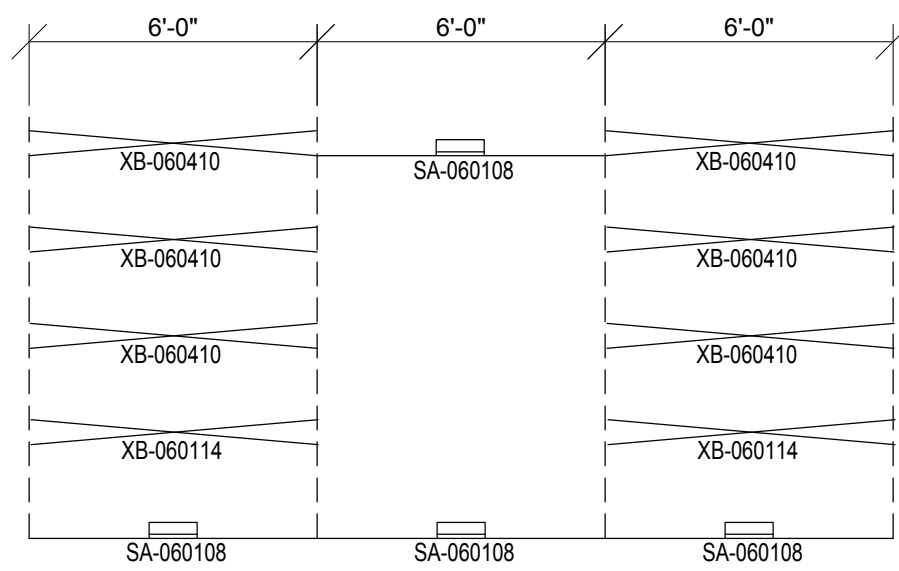


BRACING LOCATION PLAN
 8 ROW BLEACHER
 WITH AISLE

GS-082IADC-A
 OPTIONAL MUD SILL (-MS)

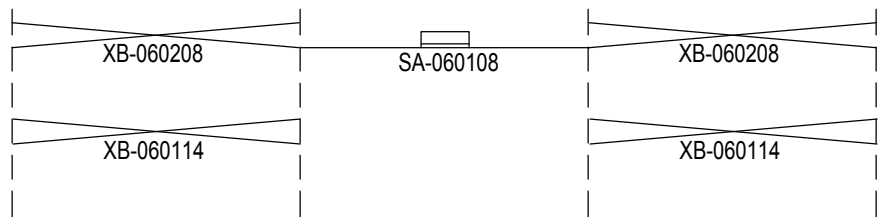
DRAWN BY
 GOB
 CHECKED BY
 DATE
 4/18/2017
 SCALE
 JOB NO.
 GS-082IADC-A

DWG NO.
 BA.3



FRAMING PLAN-FIRST LEVEL

SCALE: 1/4" = 1' - 0"

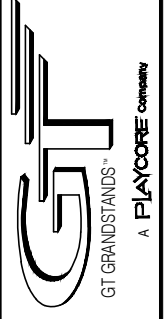


FRAMING PLAN-SECOND LEVEL

SCALE: 1/4" = 1' - 0"



2810 Sydney Road
 Plant City, Florida 33566
 Phone: 813-305-1415
 Fax: 813-305-1419
 www.gtgrandstands.com



FRAMING PLAN
 8 ROW BLEACHER
 WITH AISLE

GS-082IADC-A
 OPTIONAL MUD SILL (-MS)

DRAWN BY
 GOB

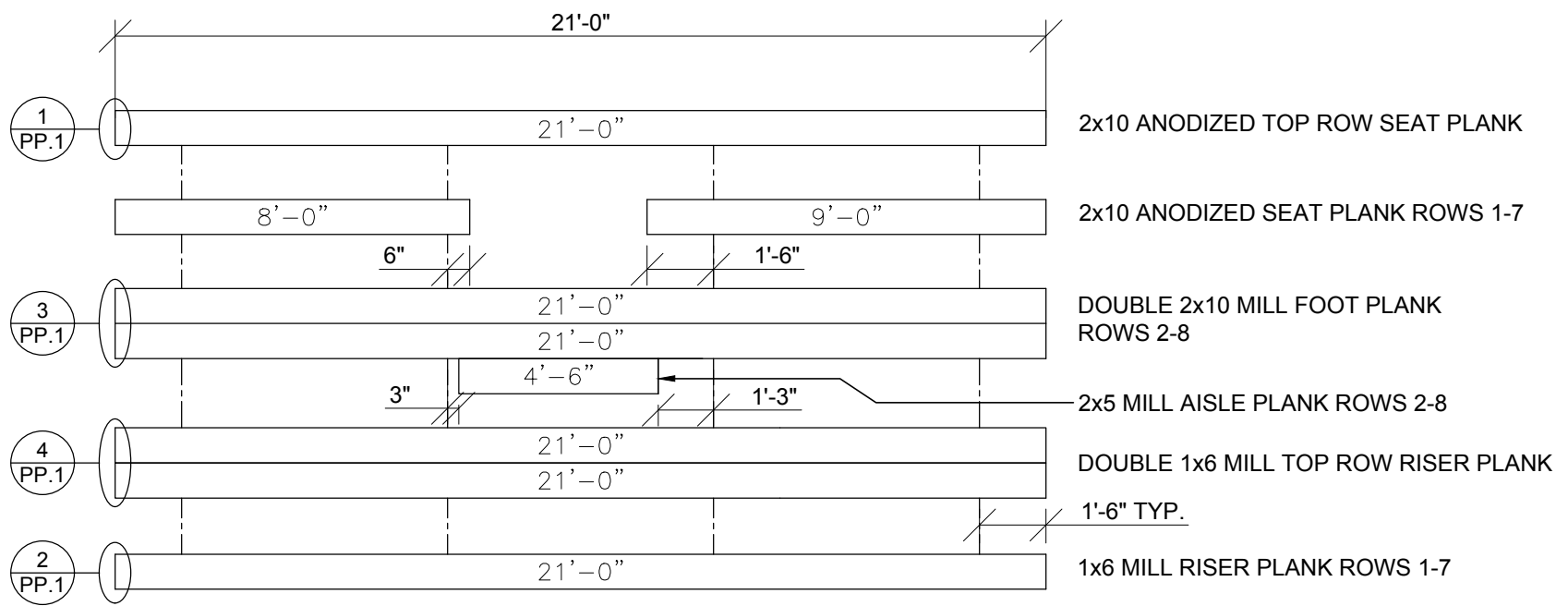
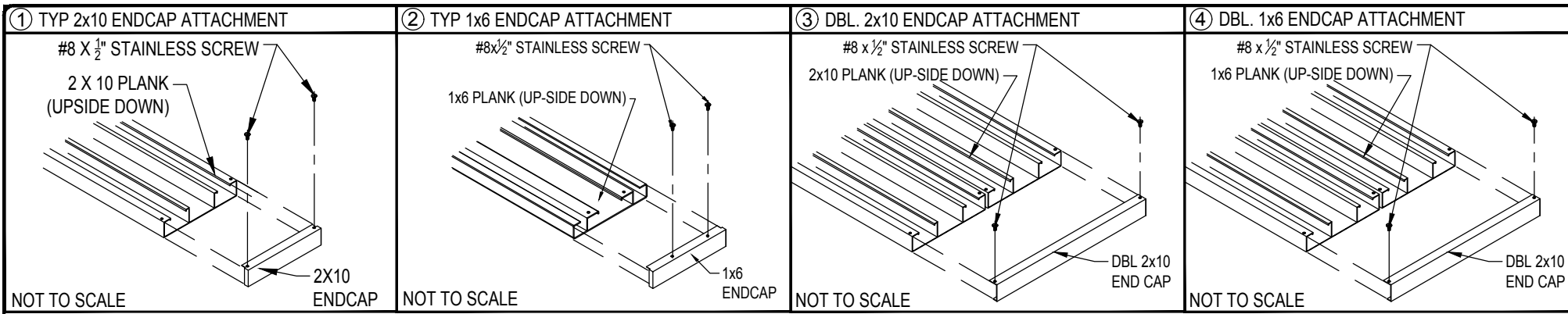
CHECKED BY

DATE
 4/18/2017

SCALE

JOB NO.
 GS-082IADC-A

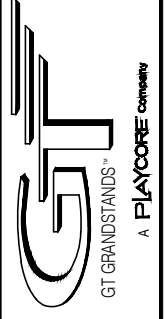
DWG NO.
 FR.1



PLANK PLAN
SCALE: 1/4" = 1' - 0"



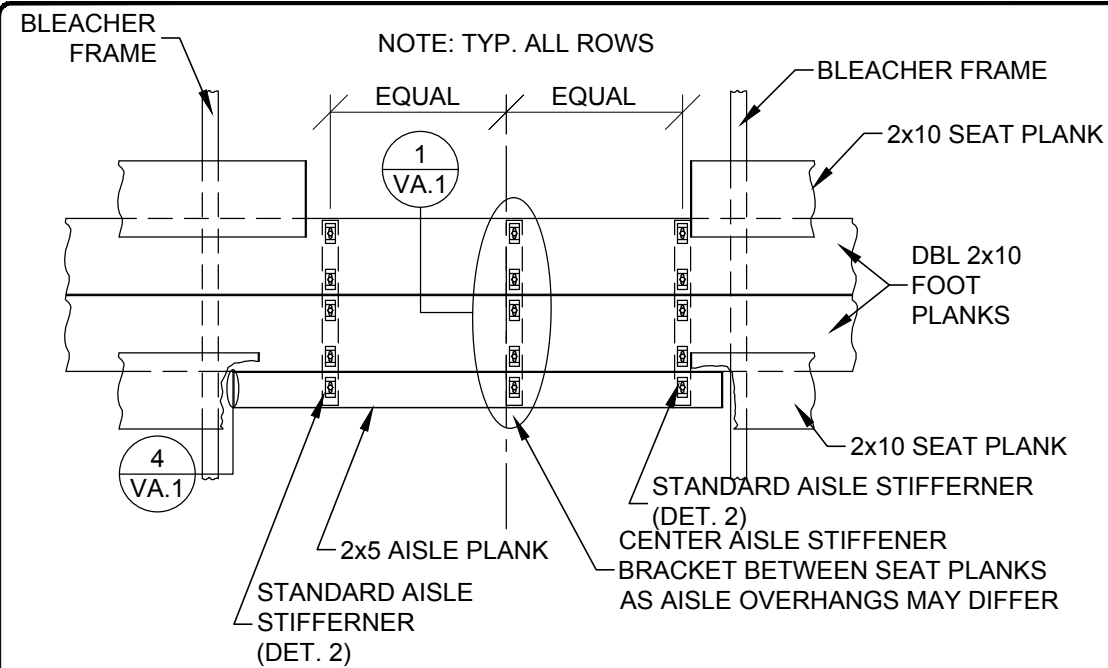
2810 Sydney Road
Plant City, Florida 33566
Phone: 813-305-1415
Fax: 813-305-1419
www.gtgrandstands.com



PLANK PLAN
8 ROW BLEACHER
WITH AISLE

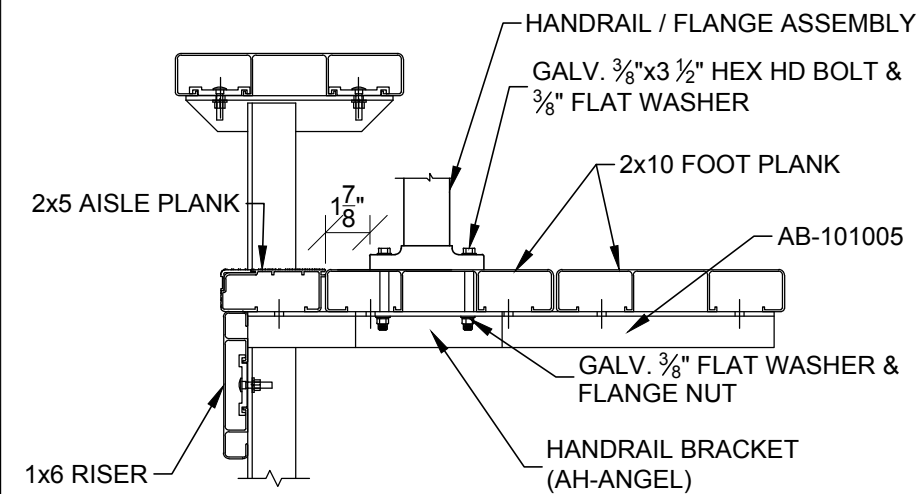
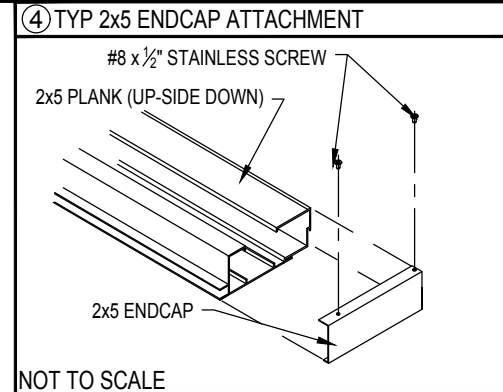
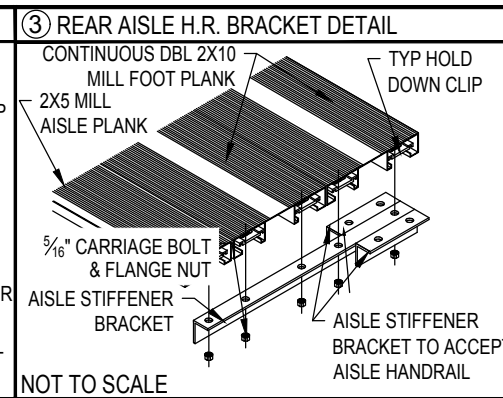
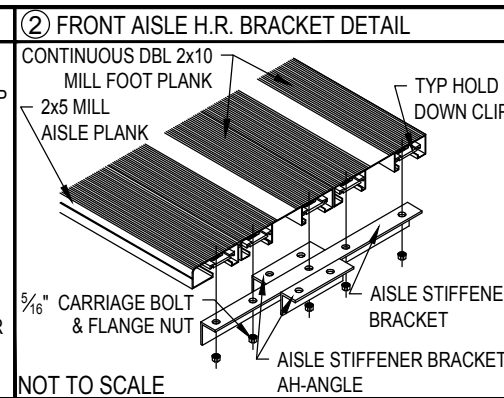
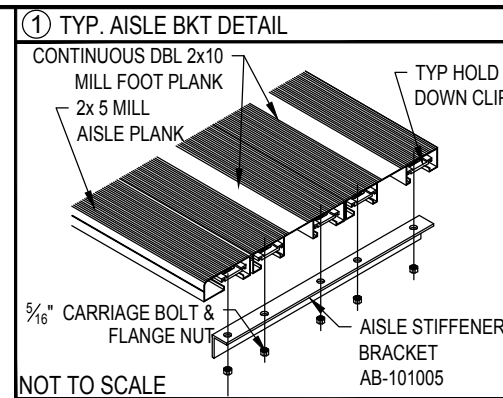
GS-082IADC-A
OPTIONAL MUD SILL (-MS)

DRAWN BY GOB
CHECKED BY
DATE 4/18/2017
SCALE
JOB NO. GS-082IADC-A
DWG NO. PP.1



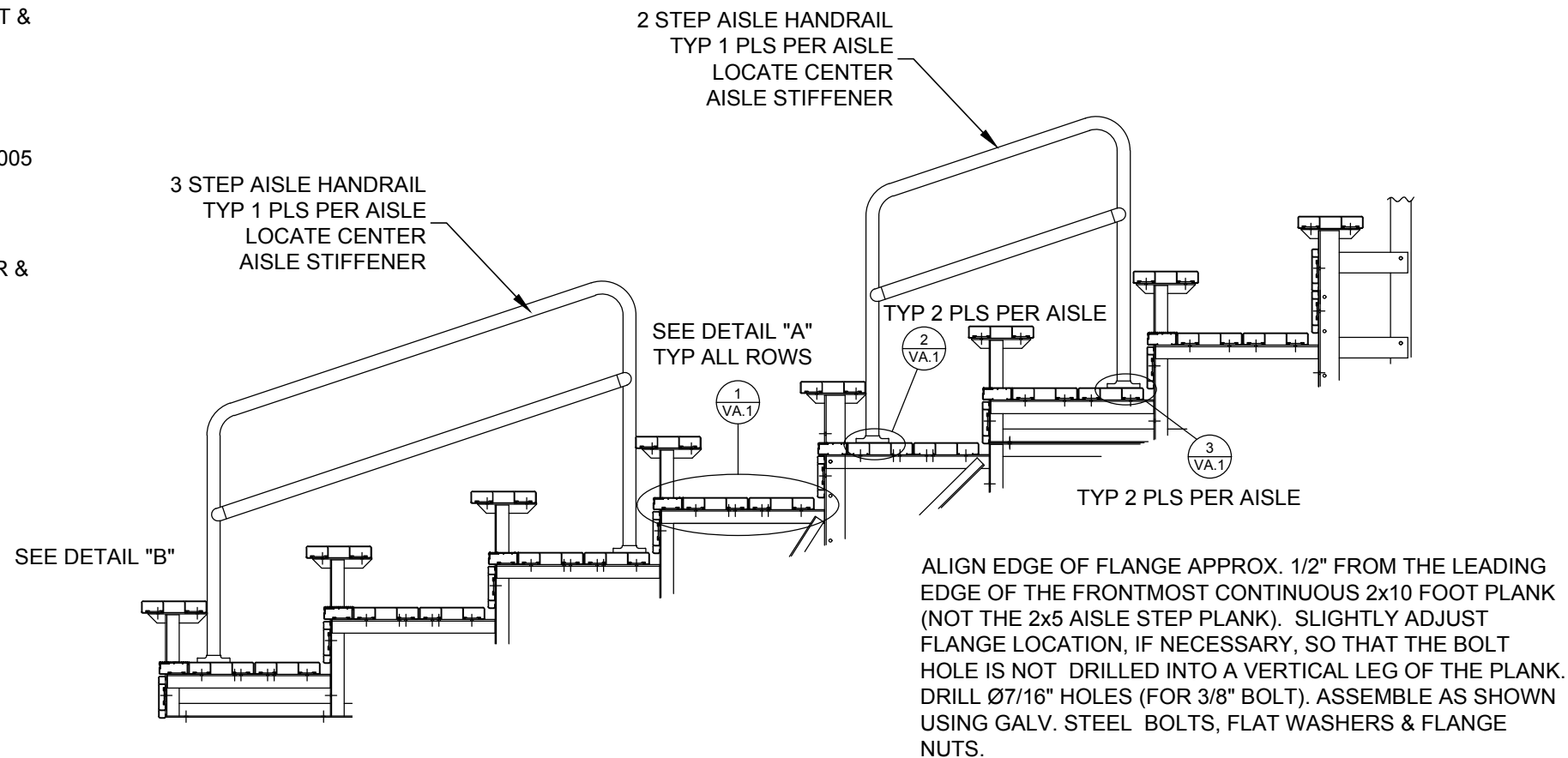
DETAIL "A" AISLE PLAN

SCALE: 1/2" = 1' - 0"



DETAIL "B" AISLE PLAN

SCALE: 1 1/2" = 1' - 0"

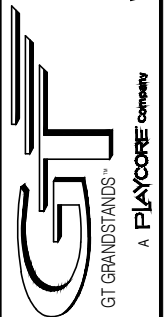


VERTICAL AISLE ASSEMBLY

SCALE: 1/2" = 1' - 0"



2810 Sydney Road
Plant City, Florida 33566
Phone: 813-305-1415
Fax: 813-305-1419
www.gtgrandstands.com



VERTICAL AISLE
8 ROW BLEACHER
WITH AISLE

GS-082IADC-A
OPTIONAL MUD SILL (-MS)

DRAWN BY
GOB
CHECKED BY

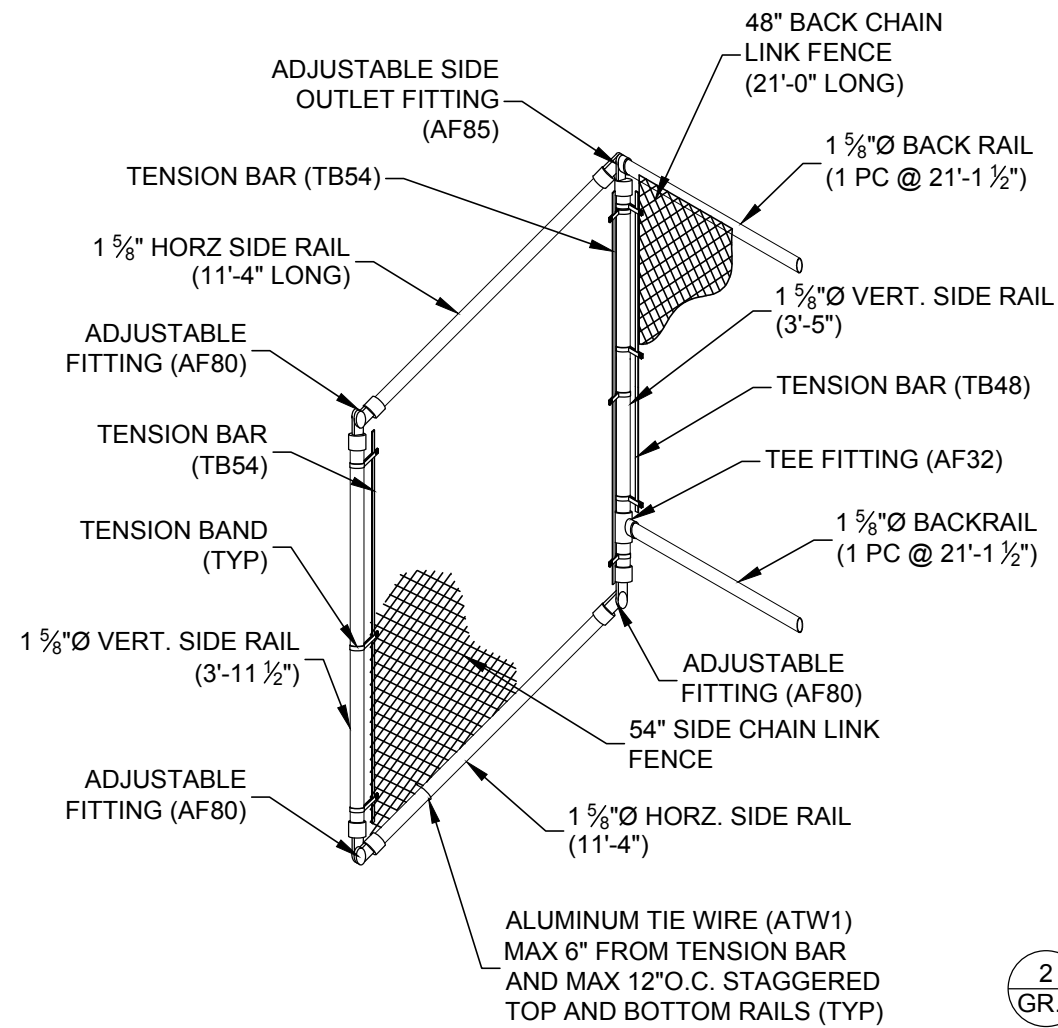
DATE
4/18/2017
SCALE

JOB NO.

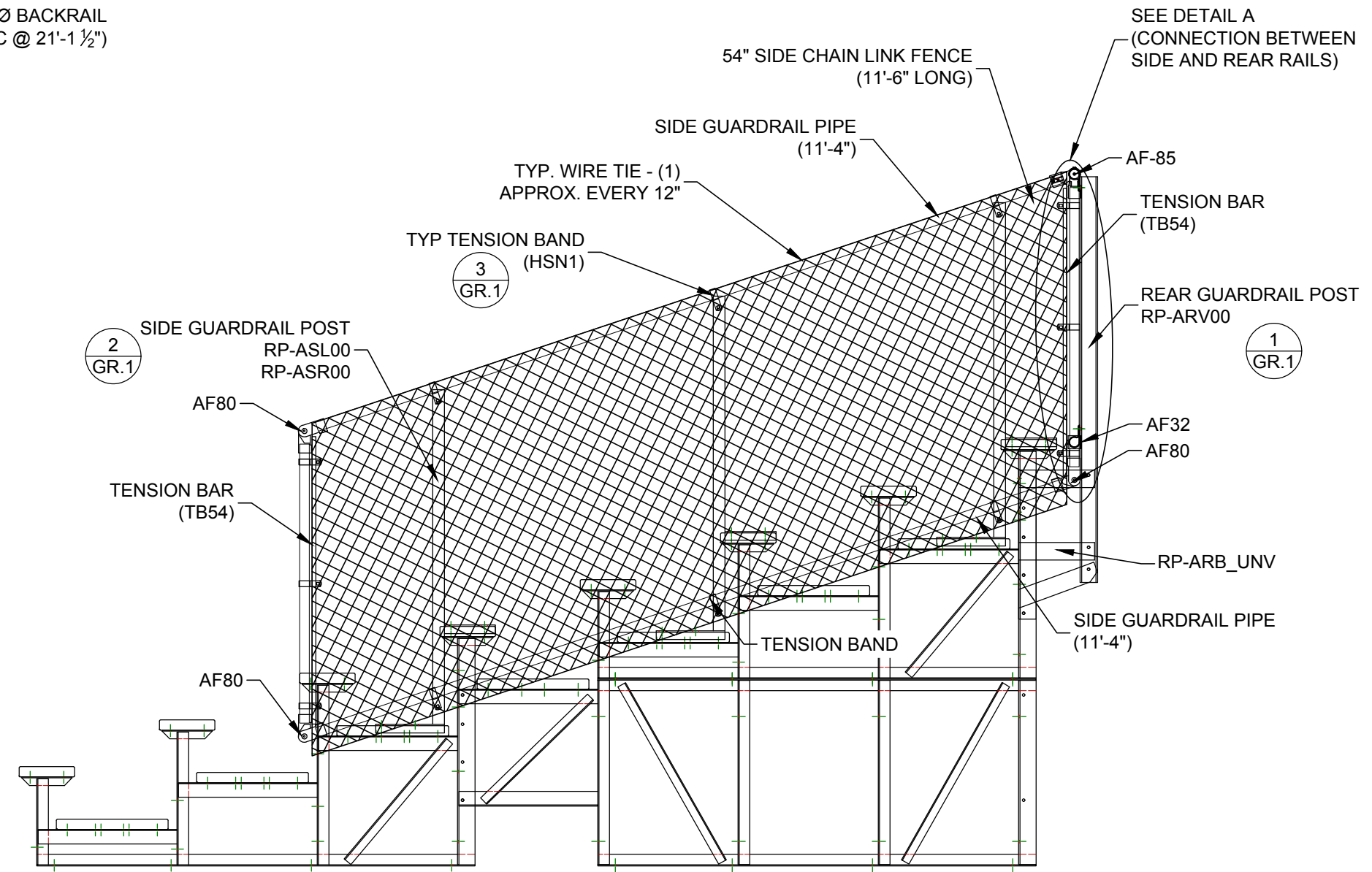
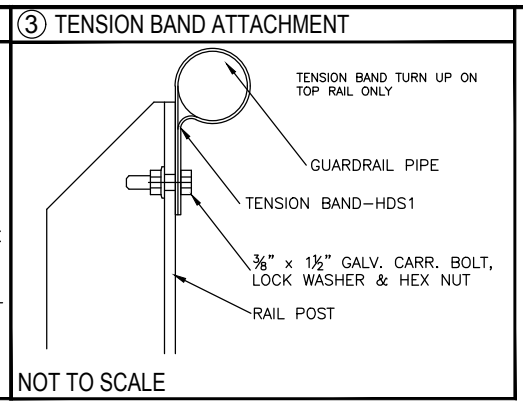
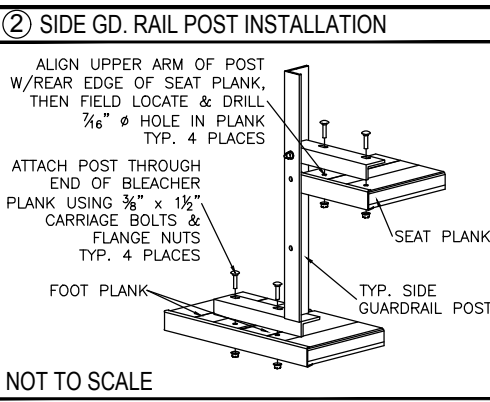
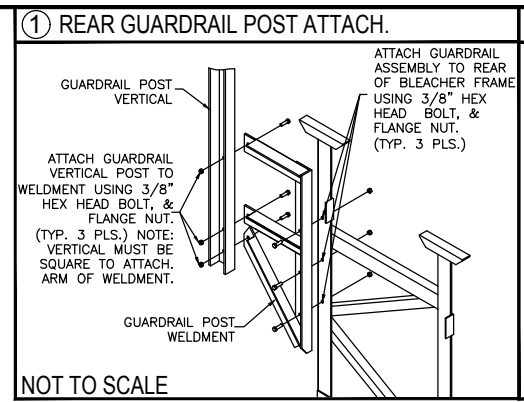
GS-082IADC-A

DWG NO.

VA.1



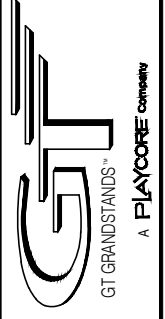
DETAIL A
SCALE: 1/2" = 1' - 0"



GUARDRAIL ASSEMBLY
SCALE: 1/2" = 1' - 0"



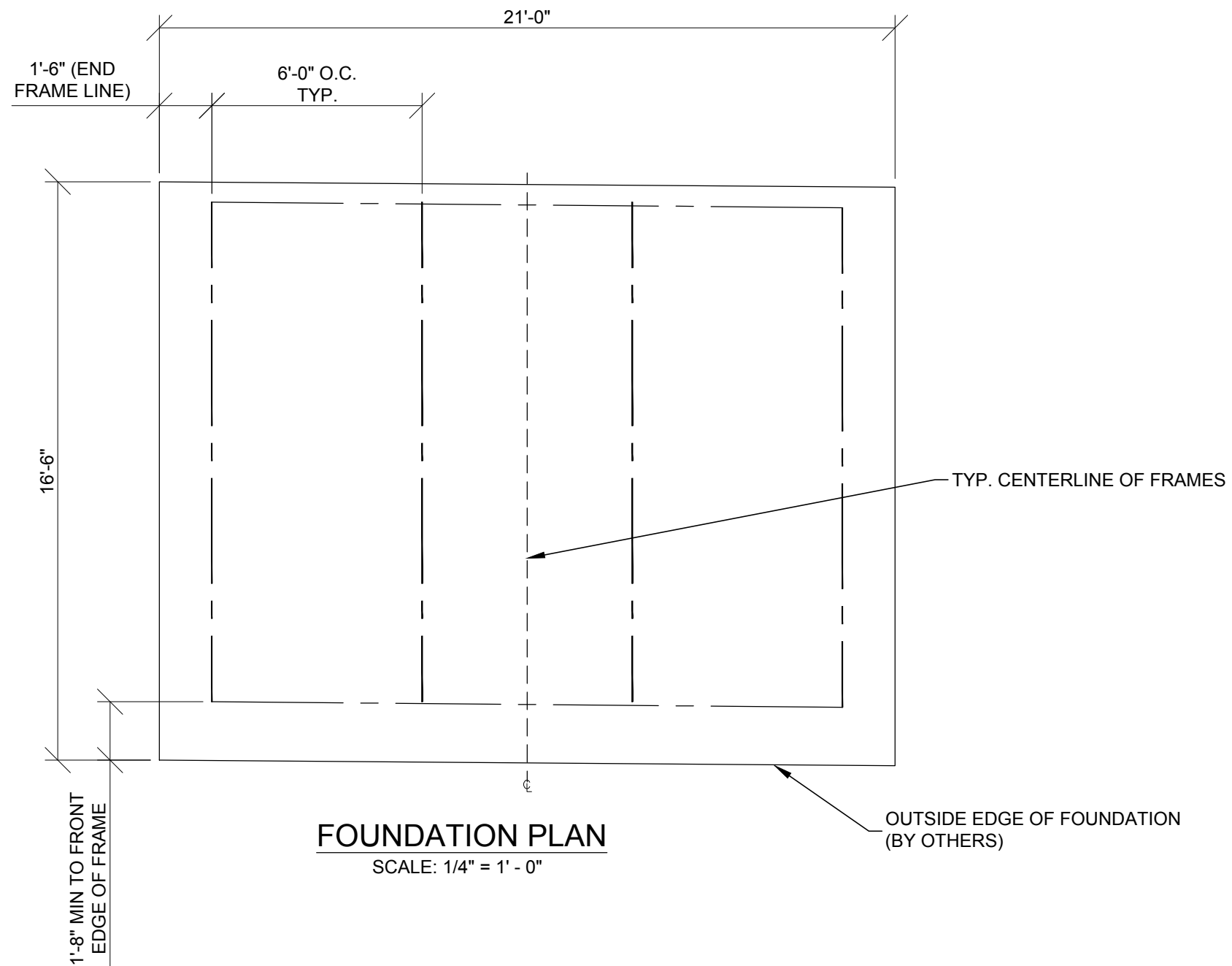
2810 Sydney Road
Plant City, Florida 33566
Phone: 813-305-1415
Fax: 813-305-1419
www.gtgrandstands.com



GUARDRAIL ASSEMBLY
8 ROW BLEACHER
WITH AISLE

GS-082IADC-A
OPTIONAL MUD SILL (-MS)

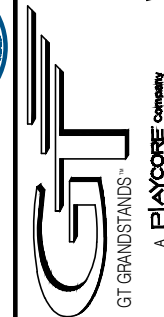
DRAWN BY GOB
CHECKED BY
DATE 4/18/2017
SCALE
JOB NO. GS-082IADC-A
DWG NO. GR.1



* MINIMUM FOUNDATION AREA SHOWN. DEPENDING ON LOCAL SOIL CONDITIONS, BLEACHER CAN BE INSTALLED ON A CONCRETE PAD OR FOOTERS, OR ATTACHED TO 2x6 TREATED LUMBER GROUND SILLS AND PLACED ON COMPACTED STONE, ASPHALT, OR ANY OTHER SMOOTH, SOLID, LEVEL SURFACE. CONSULT YOUR LOCAL CONCRETE CONTRACTOR TO DETERMINE PROPER CONCRETE SPECIFICATIONS FOR YOUR LOCAL SOIL AND WEATHER-RELATED CONDITIONS. THE BEARING SURFACE MUST BE CAPABLE OF SUPPORTING A MINIMUM OF 660 POUNDS PER LINEAR FOOT. TO MEET LOCAL CODES, BLEACHERS WILL NEED TO BE ANCHORED. ANCHORING SYSTEMS FOR ALL SURFACE TYPES ARE AVAILABLE - CONTACT YOUR BLEACHER SALES REPRESENTATIVE FOR MORE INFORMATION.



2810 Sydney Road
Plant City, Florida 33566
Phone: 813-305-1415
Fax: 813-305-1419
www.gtgrandstands.com

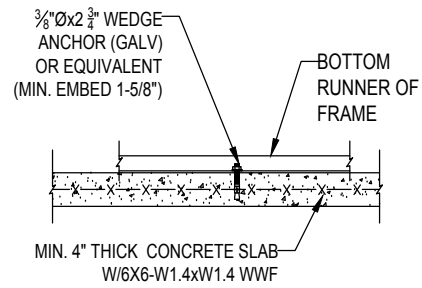


FOUNDATION PLAN
8 ROW BLEACHER
WITH AISLE

GS-082IADC-A

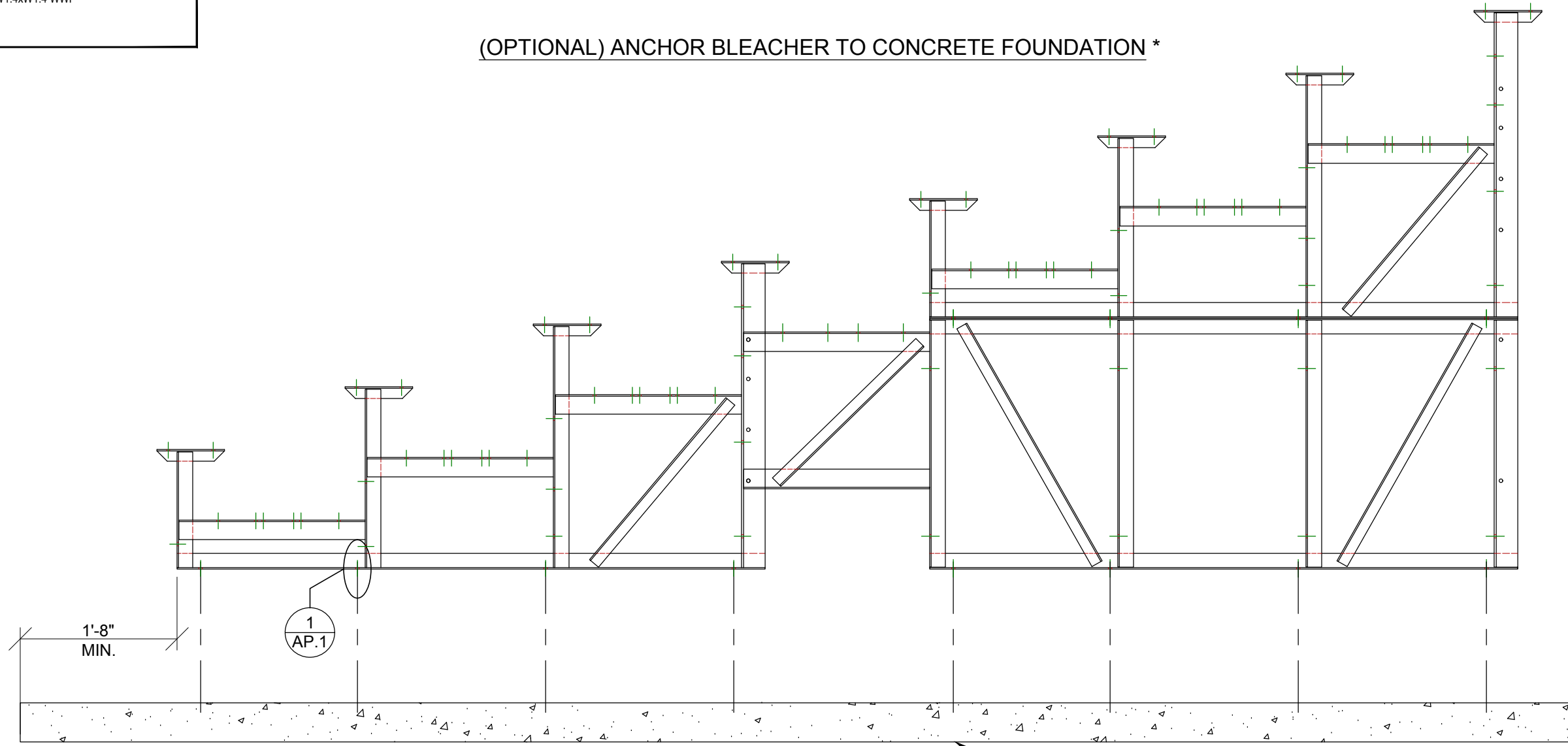
DRAWN BY GOB
CHECKED BY
DATE 4/18/2017
SCALE
JOB NO. GS-082IADC-A
DWG NO. FP.1

① OPTIONAL ANCHOR WEDGE DETAIL*



NOT TO SCALE

(OPTIONAL) ANCHOR BLEACHER TO CONCRETE FOUNDATION *



CONCRETE FOUNDATION (BY OTHERS)

SEE SH FP.1 FOR DIMENSIONS

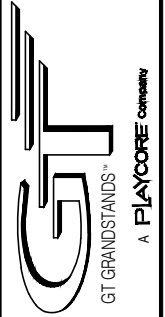
ANCHORING PLAN

SCALE: 3/4" = 1' - 0"

* CONCRETE WEDGE ANCHORS NOT INCLUDED WITH ALL UNITS. IF USING OTHER ANCHORING SYSTEM, SKIP THIS STEP AND REFER TO INSTRUCTIONS SPECIFIC TO THE ANCHORING SYSTEM PURCHASED FOR YOUR UNIT. SEE PRINT FP.1 (INCLUDED IN THIS PACKET) FOR GENERAL CONCRETE FOUNDATION SPECIFICATIONS.



2810 Sydney Road
Plant City, Florida 33566
Phone: 813-305-1415
Fax: 813-305-1419
www.gtgrandstands.com



ANCHORING PLAN
8 ROW BLEACHER
WITH AISLE

GS-082IADC-A
OPTIONAL MUD SILL (-MS)

DRAWN BY
GOB

CHECKED BY

DATE
4/18/2017

SCALE

JOB NO.

GS-082IADC-A

DWG NO.
AP.1