

# GS-0821ADC-A-TK

## NON ELEVATED ALUM. 8 ROW X 21'-0" BLEACHER

- CS.1 - COVER SHEET
- BS.1 - BLEACHER SEATING PLAN
- AP.1 - ANCHORING PLAN
- BA.1 - BLEACHER ASSEMBLY
- GR.1 - GUARD RAIL ASSEMBLY
- VA.1 - VERTICAL AISLE ASSEMBLY
- PF.1 - PLANK AND FRAMING PLAN
- TA.1 - TRANSPORT KIT ASSEMBLY
- TA.2 - TRANSPORT KIT ASSEMBLY (ROWS 1-5)
- TA.3 - TRANSPORT KIT ASSEMBLY (ROWS 6-8)
- DS.1 - DETAIL SHEET



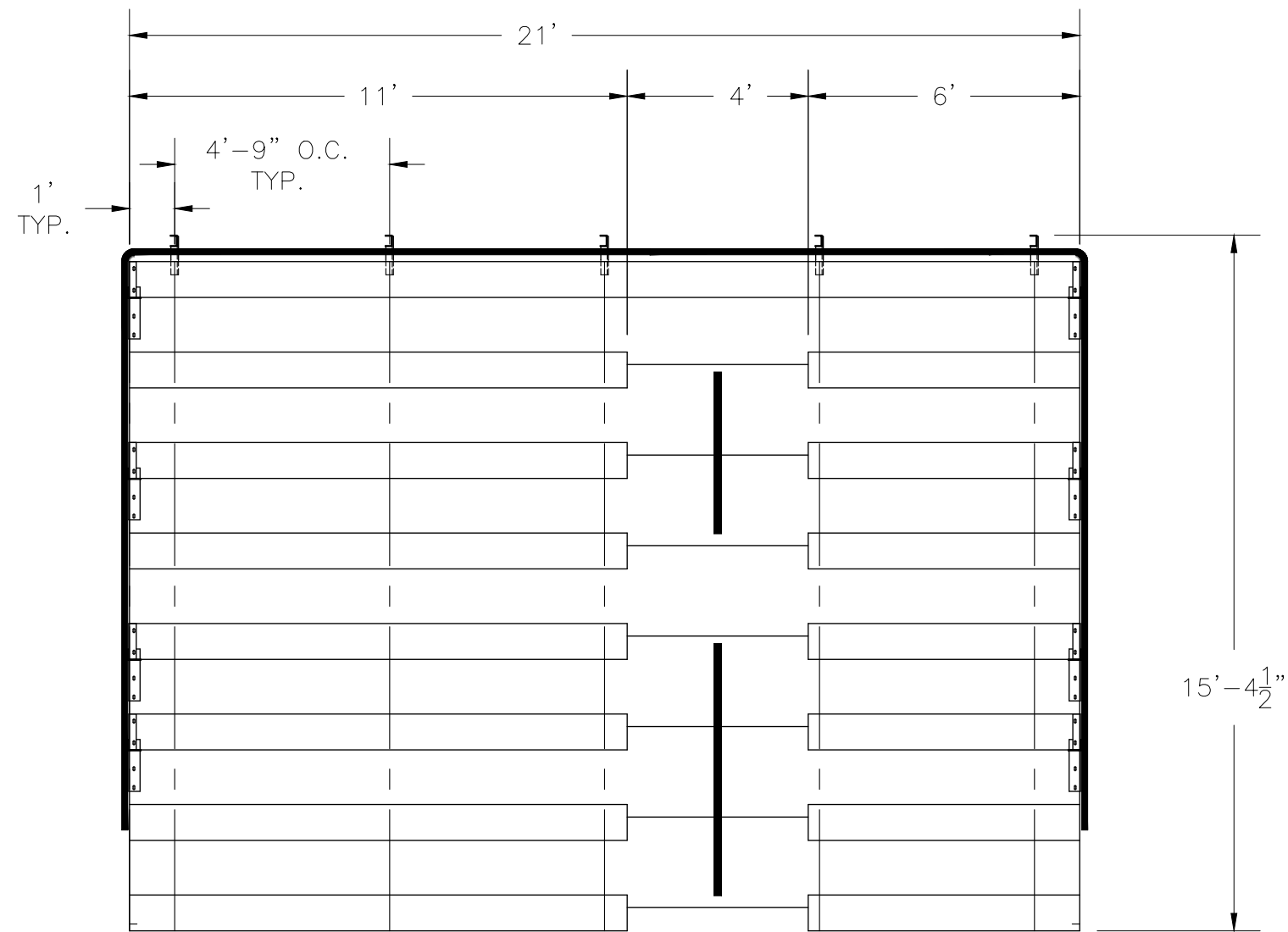
2810 Sydney Road  
Plant City, Florida 33566  
Phone: 813-305-1415  
Fax: 813-305-1419  
www.gtgrandstands.com



COVER PAGE  
8 ROW BLEACHER  
TOWABLE WITH AISLE

GS-0821ADC-A-TK  
OPTIONAL MUD SILL (-MS)

DRAWN BY MME
CHECKED BY
DATE 01/25/2017
SCALE
JOB NO. GS-0821ADC-A-TK
DWG NO. CS.1



SECTION LENGTH	GROSS SEATS	ACTUAL SEATS	NO. OF ROWS	NET SEATS
24	16.00	16.00	1	16
7.5	5.00	5.00	9	45
12.5	8.33	8.00	9	72
<b>NET SEATS</b>				<b>133</b>
<b>WHEELCHAIR SPACES</b>				<b>0</b>
<b>TOTAL NET SEATING CAPACITY</b>				<b>133</b>
<b>(BASED ON 18" PER SEAT)</b>				



2810 Sydney Road  
 Plant City, Florida 33566  
 Phone: 813-305-1415  
 Fax: 813-305-1419  
 www.gtgrandstands.com



SEATING PLAN  
 8 ROW BLEACHER  
 TOWABLE WITH AISLE

GS-082IADC-A-TK  
 OPTIONAL MUD SILL (-MS)

DRAWN BY  
 MME  
 CHECKED BY  
 DATE  
 01/25/2017  
 SCALE  
 JOB NO.  
 GS-082IADC-A-TK  
 DWG NO.  
 TD.1



2810 Sydney Road  
 Plant City, Florida 33566  
 Phone: 813-305-1415  
 Fax: 813-305-1419  
 www.gtgrandstands.com

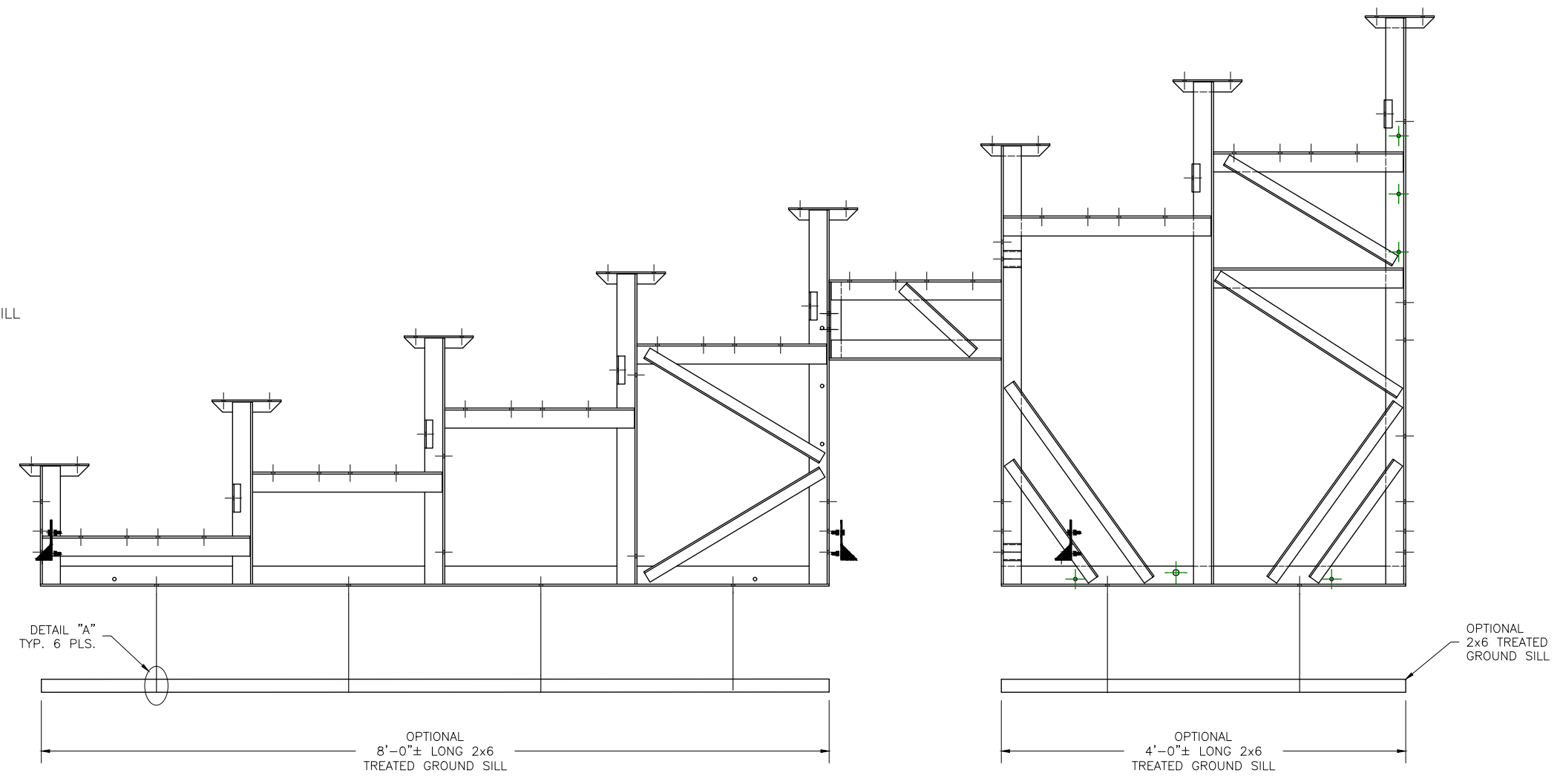
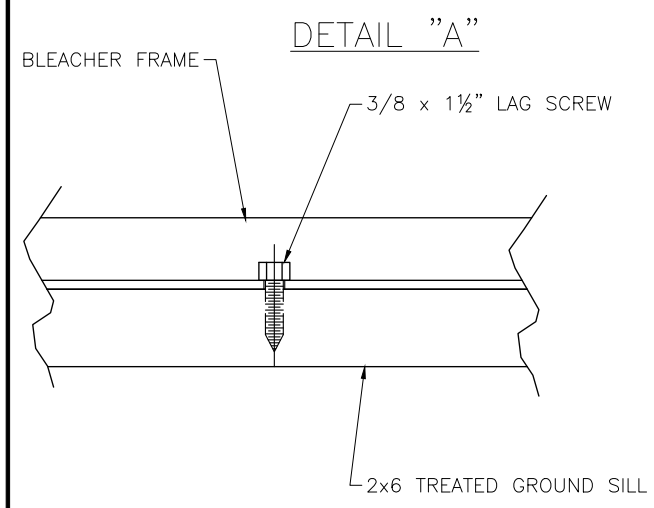


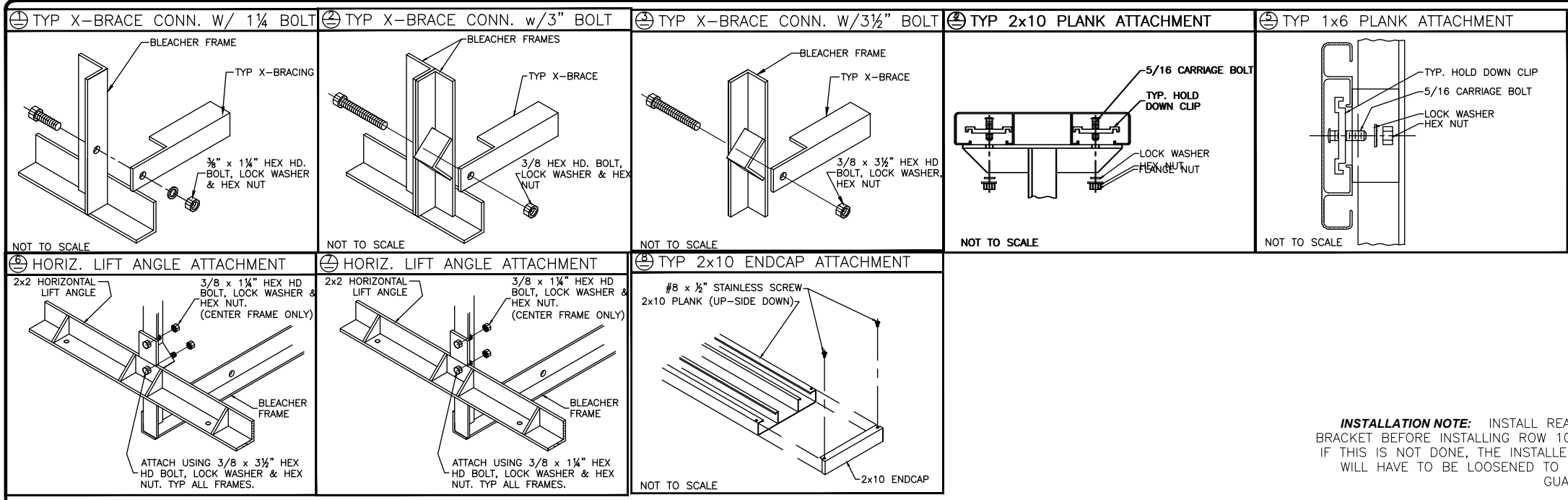
OPT. ANCHORING PLAN  
 8 ROW BLEACHER  
 TOWABLE WITH AISLE

GS-082IADC-A-TK  
 OPTIONAL MUD SILL (-MS)

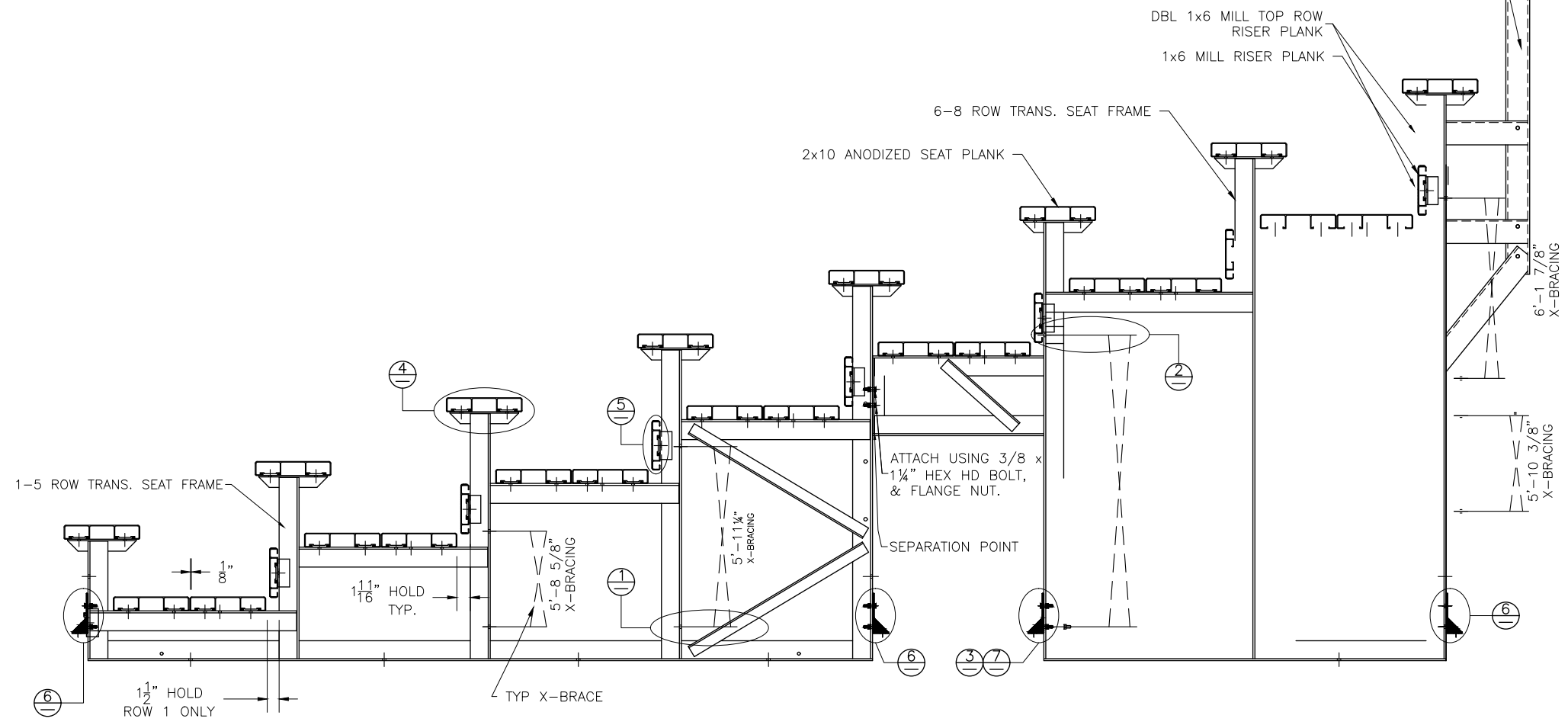
DRAWN BY  
 MME  
 CHECKED BY  
 DATE  
 01/25/2017  
 SCALE  
 JOB NO.  
 GS-082IADC-A-TK

DWG NO.  
 AP.1





**INSTALLATION NOTE:** INSTALL REAR GUARDRAIL BRACKET BEFORE INSTALLING ROW 10 X-BRACING. IF THIS IS NOT DONE, THE INSTALLED X-BRACING WILL HAVE TO BE LOOSENED TO INSTALL REAR GUARDRAIL POST.



2810 Sydney Road  
Plant City, Florida 33566  
Phone: 813-305-1415  
Fax: 813-305-1419  
www.gtgrandstands.com

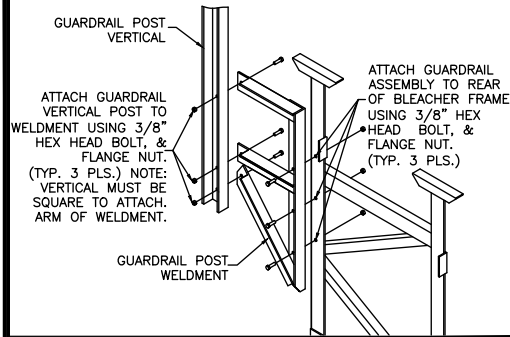


BLEACHER ASSEMBLY (SECTION)  
8 ROW BLEACHER  
TOWABLE WITH AISLE

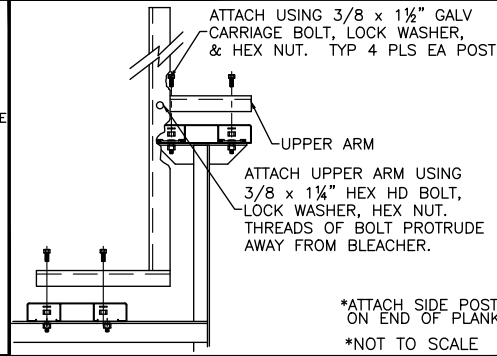
GS-082IADC-A-TK  
OPTIONAL MUD SILL (-MS)

DRAWN BY MME
CHECKED BY
DATE 01/25/2017
SCALE
JOB NO.
GS-082IADC-A-TK
DWG NO. BA.1

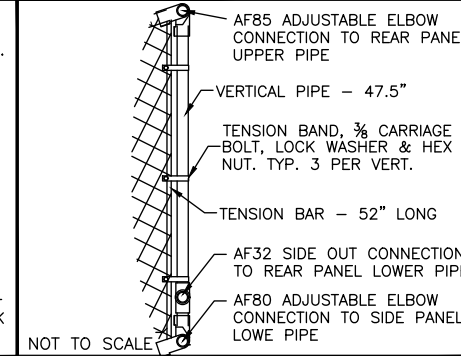
① REAR GUARDRAIL POST ATTACH.



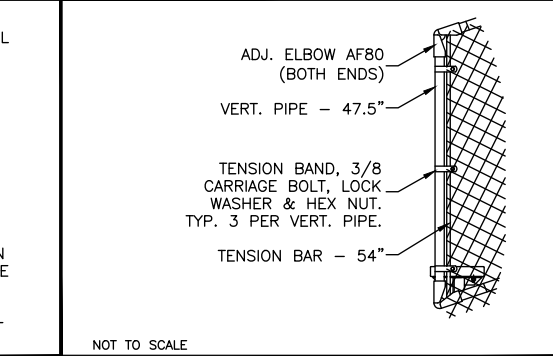
② SIDE GD. RAIL POST INSTALLATION



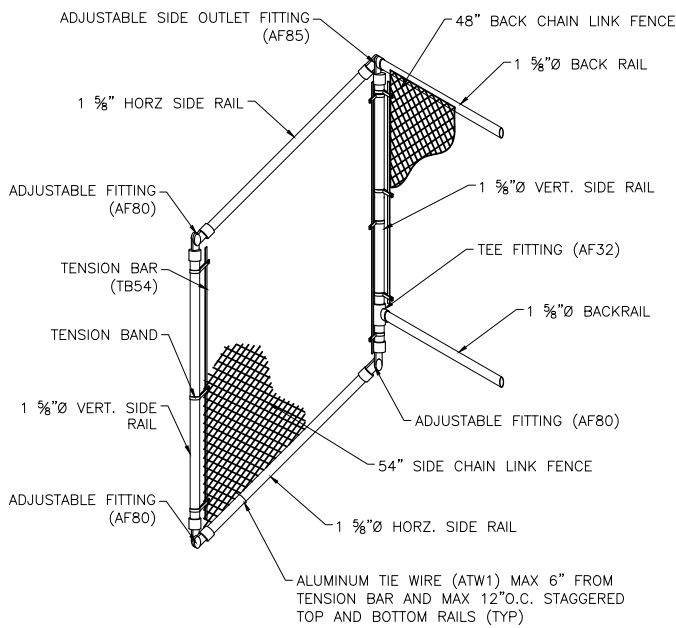
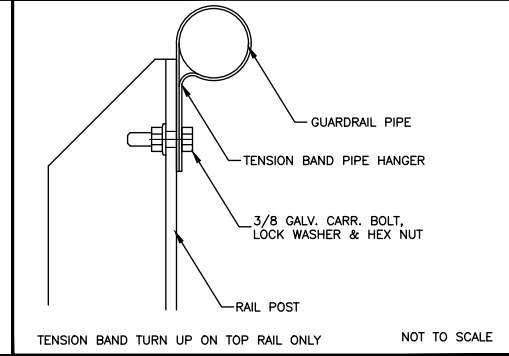
③ VERT. PIPE DETAIL (SIDE, TOP)



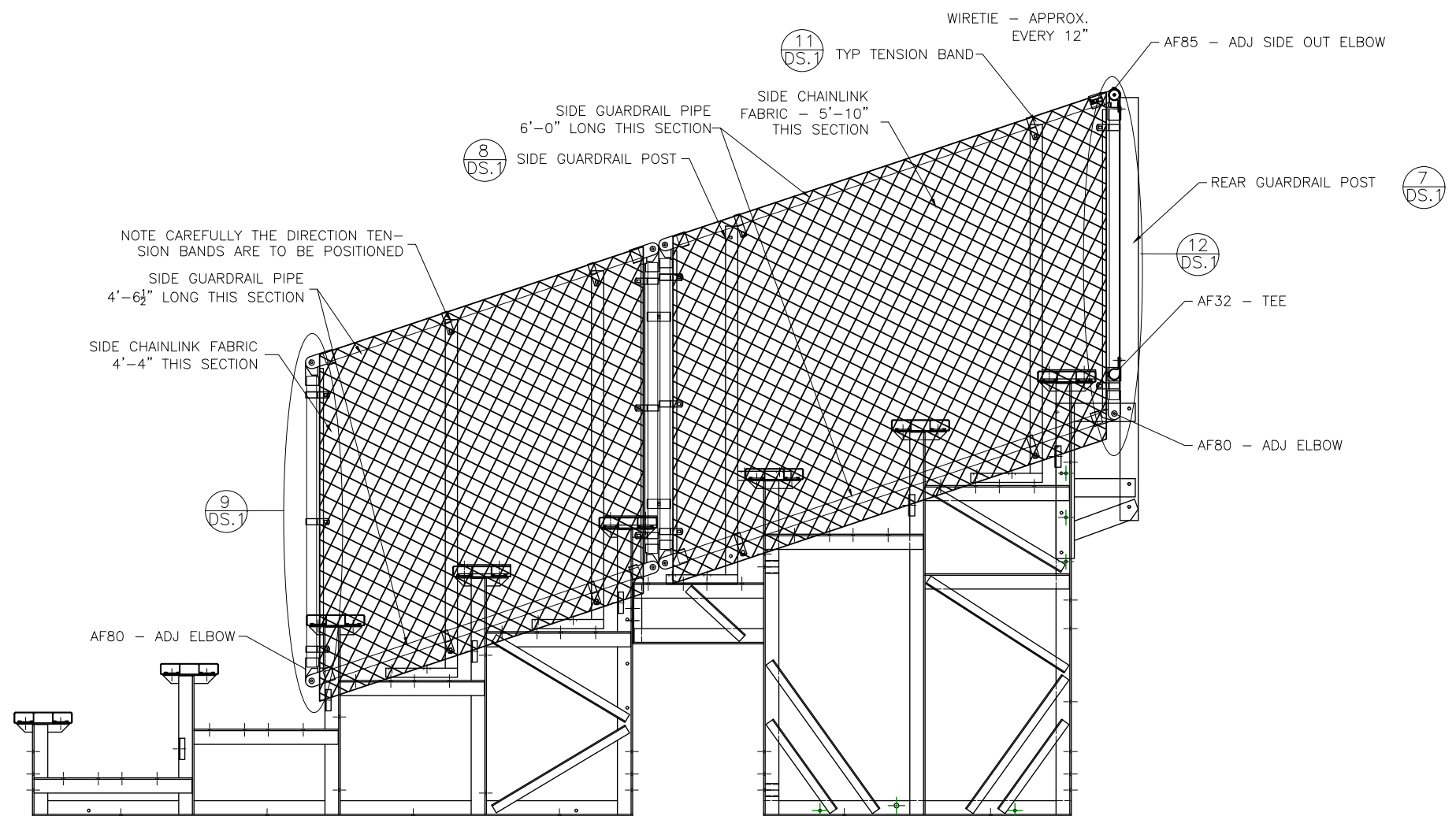
④ VERT. PIPE DET.-ELEV, SIDE, BOT.



⑤ TENSION BAND ATTACHMENT



**DETAIL A**  
**CONNECTION DETAIL OF BACK RAIL TO SIDE RAIL**



2810 Sydney Road  
Plant City, Florida 33566  
Phone: 813-305-1415  
Fax: 813-305-1419  
www.gtgrandstands.com



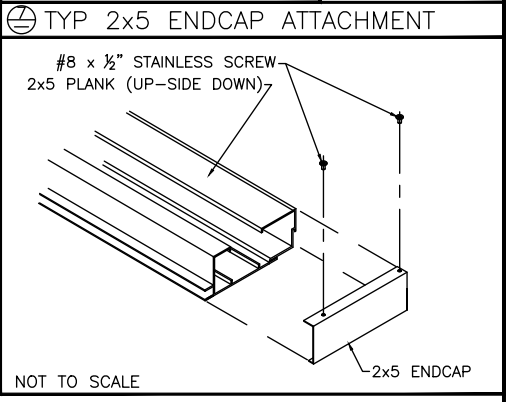
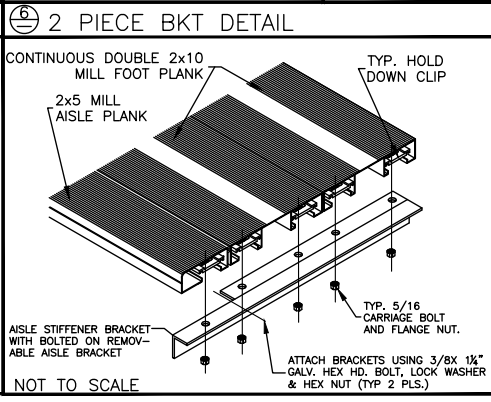
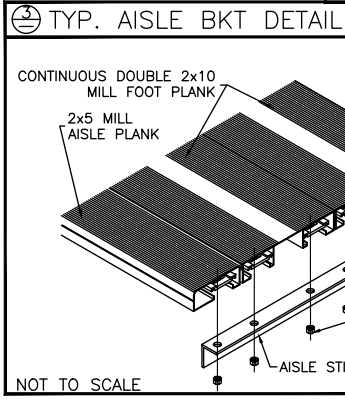
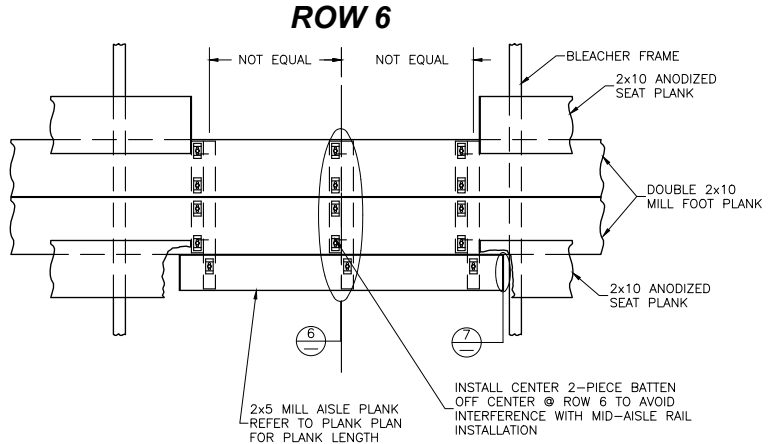
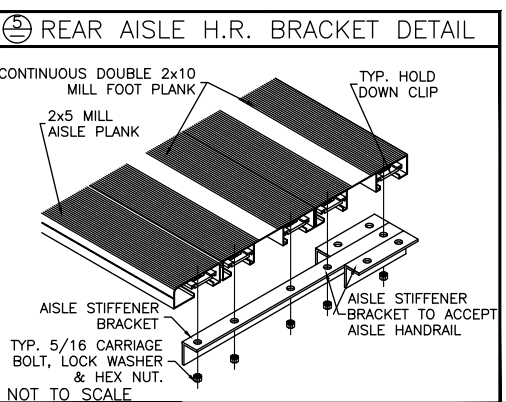
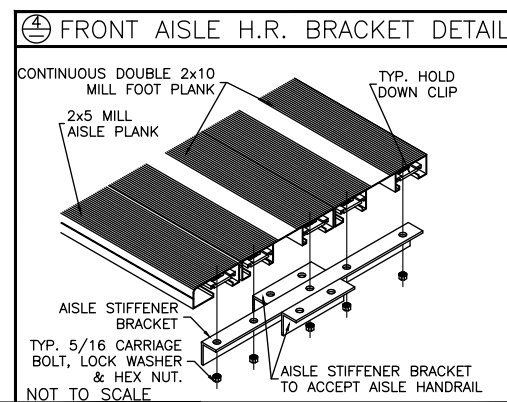
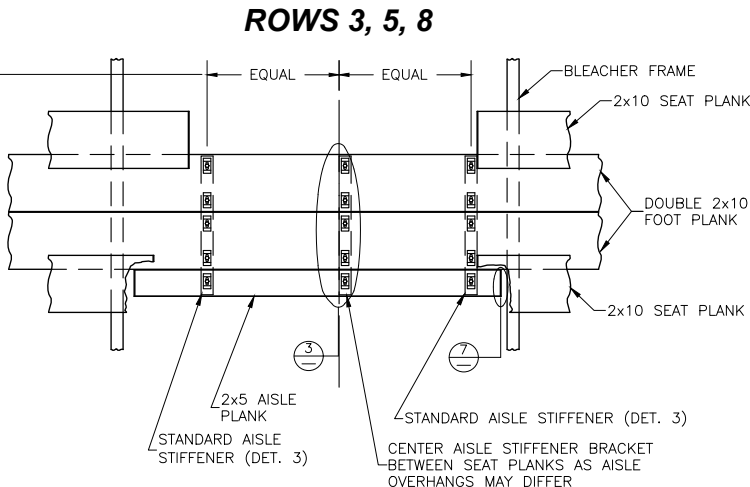
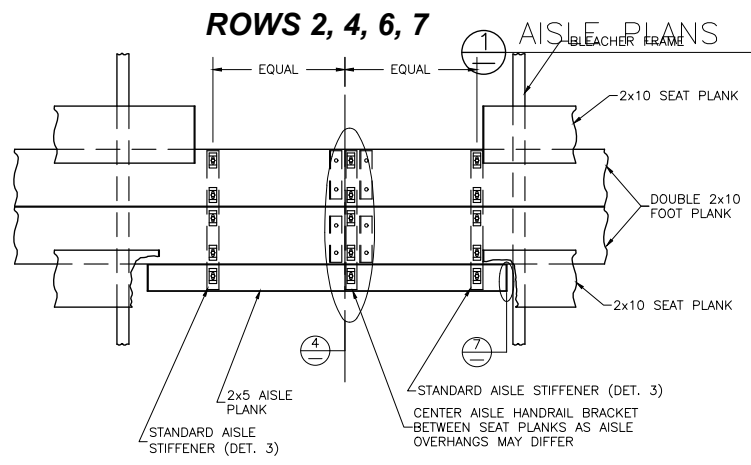
**GUARDRAIL DETAILS**  
**8 ROW BLEACHER**  
**TOWABLE WITH AISLE**

**GS-082IADC-A-TK**  
**OPTIONAL MUD SILL (-MS)**

DRAWN BY MME
CHECKED BY
DATE 01/25/2017
SCALE
JOB NO. GS-082IADC-A-TK
DWG NO. GR.1

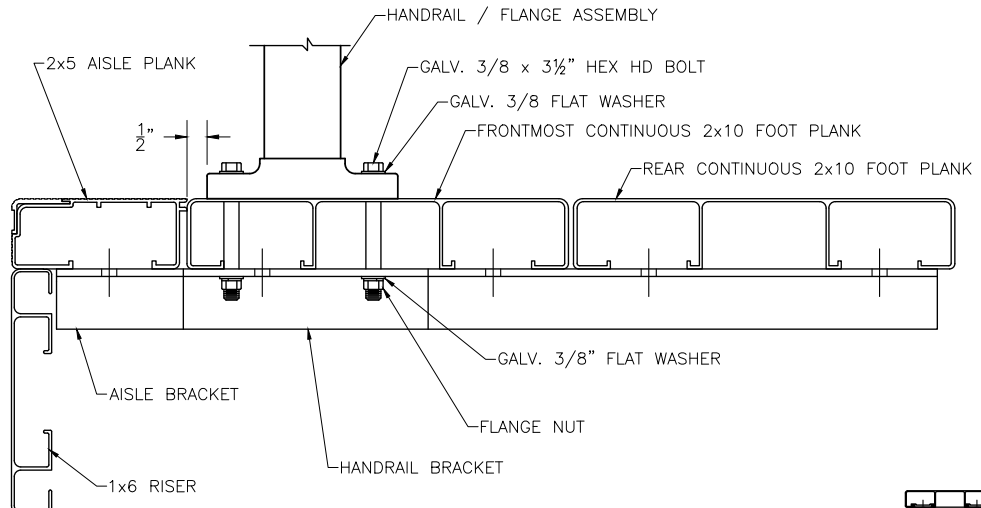


2810 Sydney Road  
Plant City, Florida 33566  
Phone: 813-305-1415  
Fax: 813-305-1419  
www.gtgrandstands.com

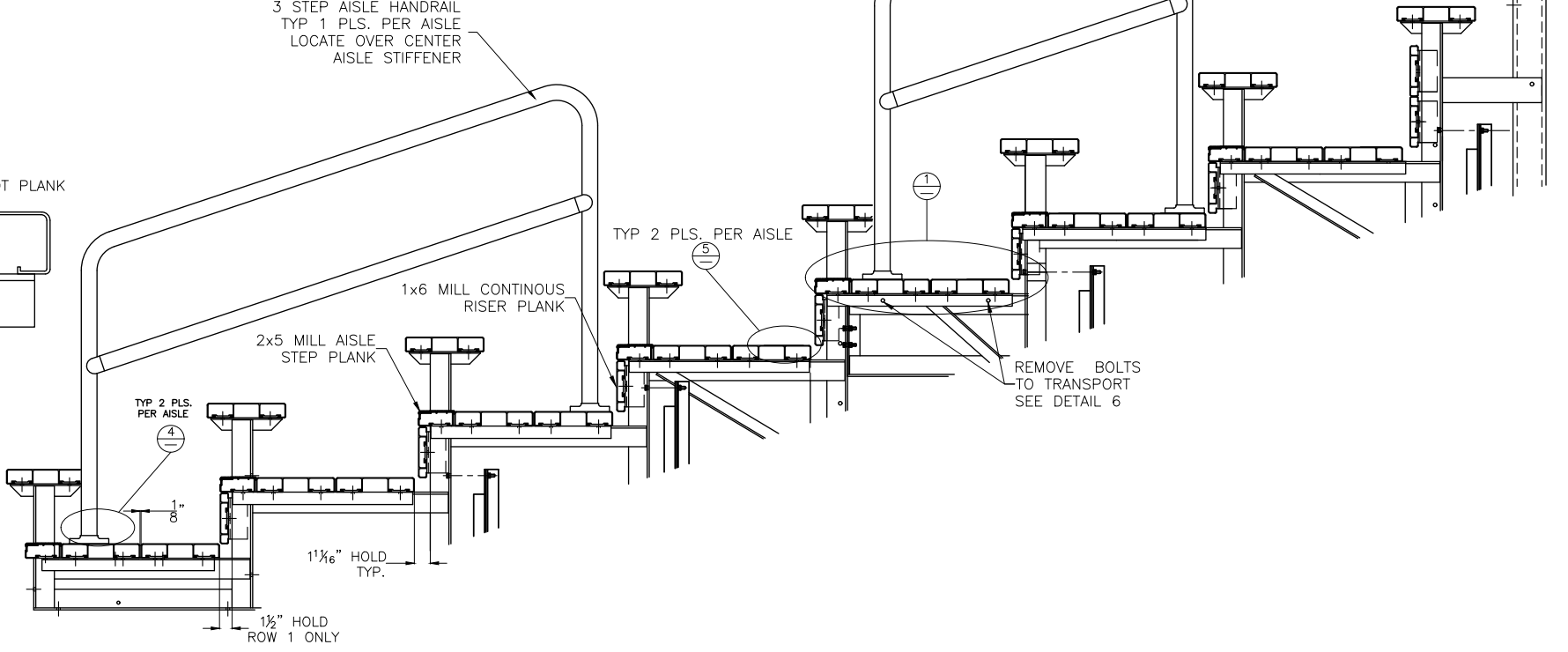


**DETAIL A**

FRONT HANDRAIL ASSEMBLY SHOWN  
LOCATE OVER REAR FOOT PLANK FOR REAR ASSEMBLY



ALIGN EDGE OF FLANGE APPROX. 1/2" FROM THE LEADING EDGE OF THE FRONTMOST CONTINUOUS 2x10 FOOT PLANK (NOT THE 2x5 AISLE STEP PLANK). SLIGHTLY ADJUST FLANGE LOCATION, IF NECESSARY, SO THAT THE BOLT HOLE IS NOT DRILLED INTO A VERTICAL LEG OF THE PLANK. DRILL  $\phi 7/16$ " HOLES (FOR 3/8" BOLT). ASSEMBLE AS SHOWN USING GALVANIZED BOLTS, FLAT WASHERS, AND FLANGE NUTS.



AISLE DETAILS  
8 ROW BLEACHER  
TOWABLE WITH AISLE

GS-082IADC-A-TK  
OPTIONAL MUD SILL (-MS)

DRAWN BY  
MME  
CHECKED BY  
DATE  
01/25/2017  
SCALE  
JOB NO.  
GS-082IADC-A-TK  
DWG NO.  
VA.1





2810 Sydney Road  
 Plant City, Florida 33566  
 Phone: 813-305-1415  
 Fax: 813-305-1419  
 www.gtgrandstands.com

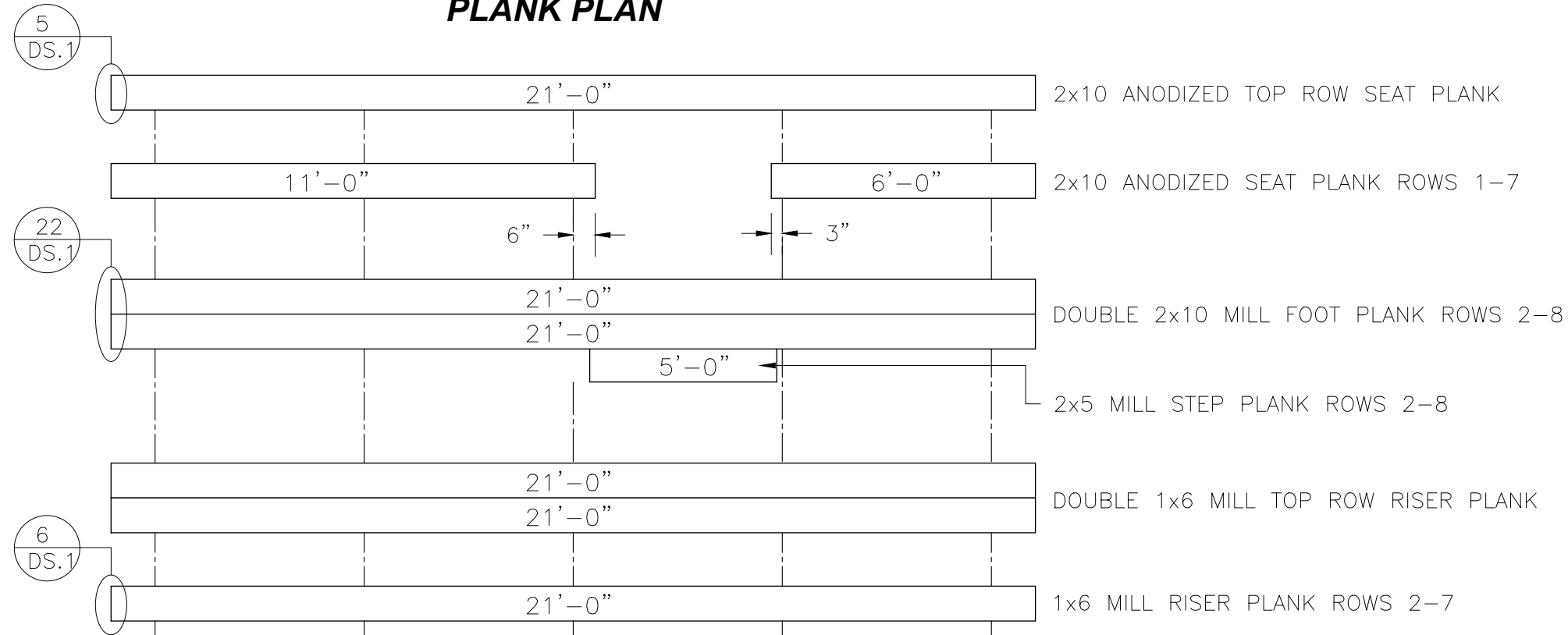


PLANK LAYOUT  
 8 ROW BLEACHER  
 TOWABLE WITH AISLE

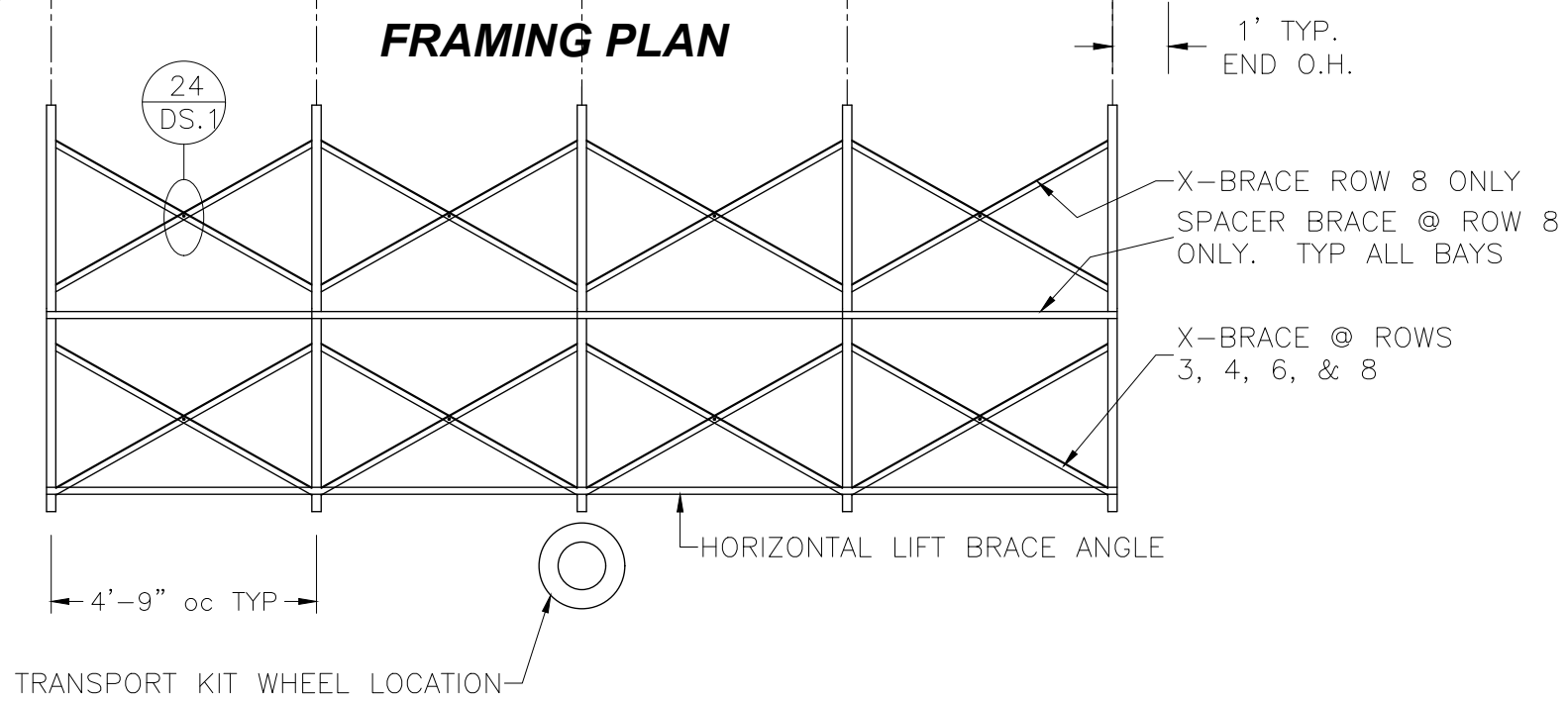
GS-082IADC-A-TK  
 OPTIONAL MUD SILL (-MS)

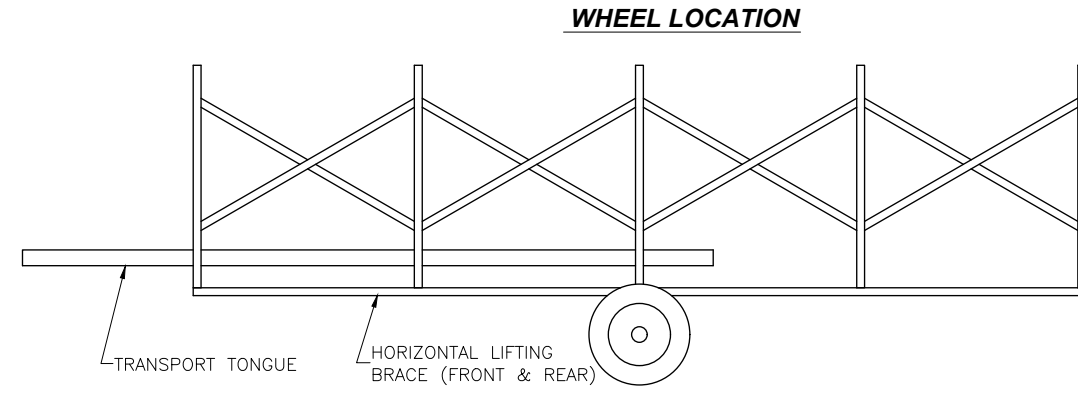
DRAWN BY  
 MME  
 CHECKED BY  
 DATE  
 01/25/2017  
 SCALE  
 JOB NO.  
 GS-082IADC-A-TK

**PLANK PLAN**

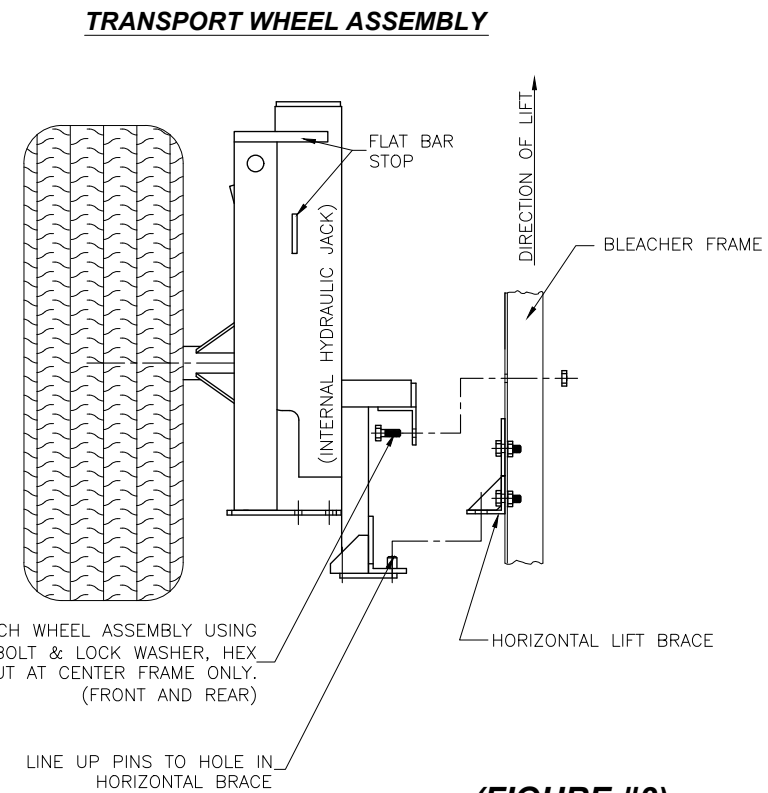


**FRAMING PLAN**



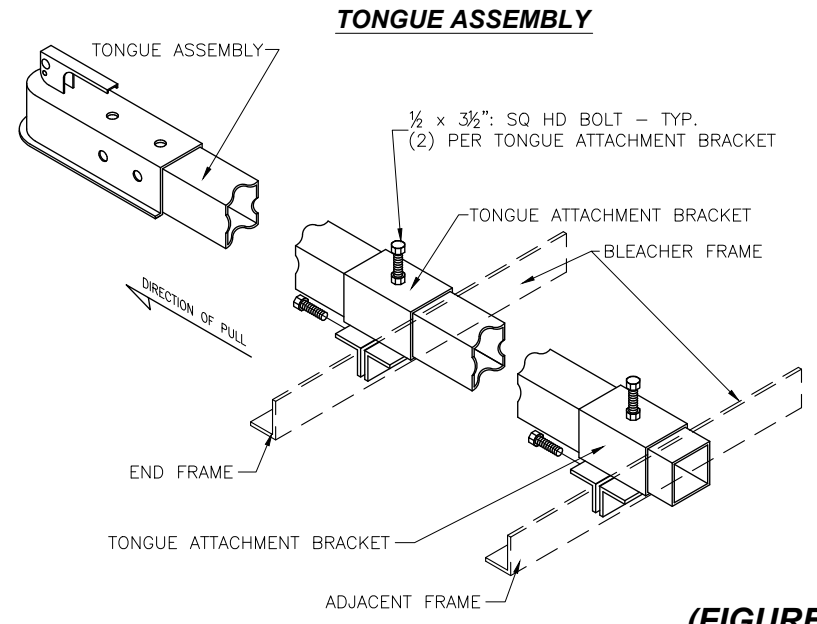


**(FIGURE #2)**



ATTACH WHEEL ASSEMBLY USING  
3/8 x 1 1/4 HEX HD BOLT & LOCK WASHER, HEX  
NUT AT CENTER FRAME ONLY.  
(FRONT AND REAR)

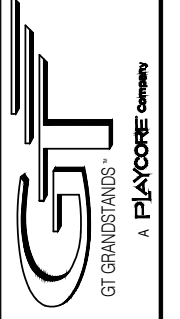
**(FIGURE #3)**



**(FIGURE #1)**



2810 Sydney Road  
Plant City, Florida 33566  
Phone: 813-305-1415  
Fax: 813-305-1419  
www.gtgrandstands.com



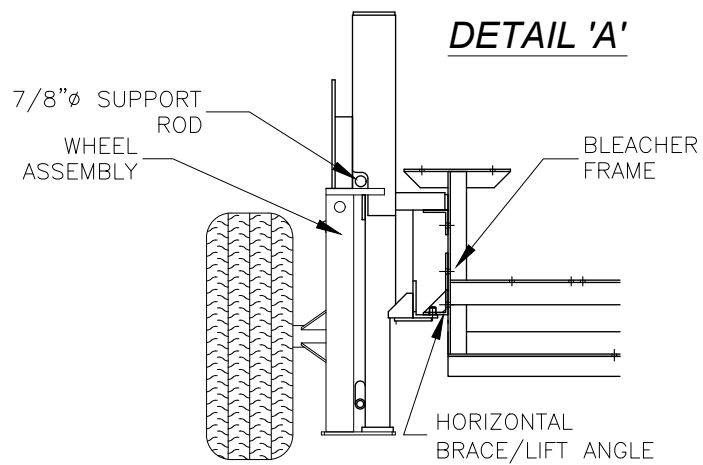
TRANSPORTABLE DETAILS  
8 ROW BLEACHER  
TOWABLE WITH AISLE

GS-082IADC-A-TK  
OPTIONAL MUD SILL (-MS)

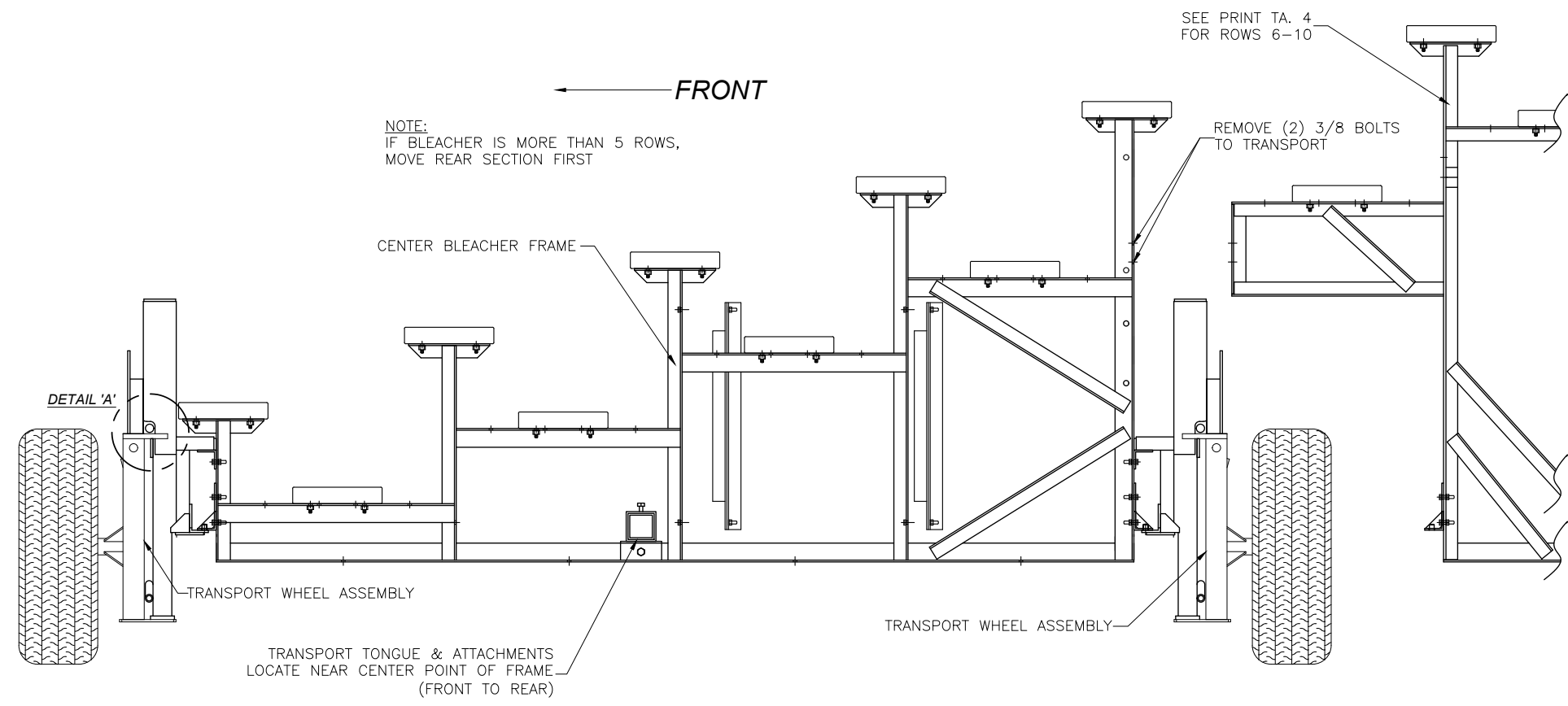
DRAWN BY  
MME  
CHECKED BY  
DATE  
01/25/2017  
SCALE  
JOB NO.  
GS-082IADC-A-TK

DWG NO.  
TA.1





**ROWS 1-5**



2810 Sydney Road  
 Plant City, Florida 33566  
 Phone: 813-305-1415  
 Fax: 813-305-1419  
 www.gtgrandstands.com

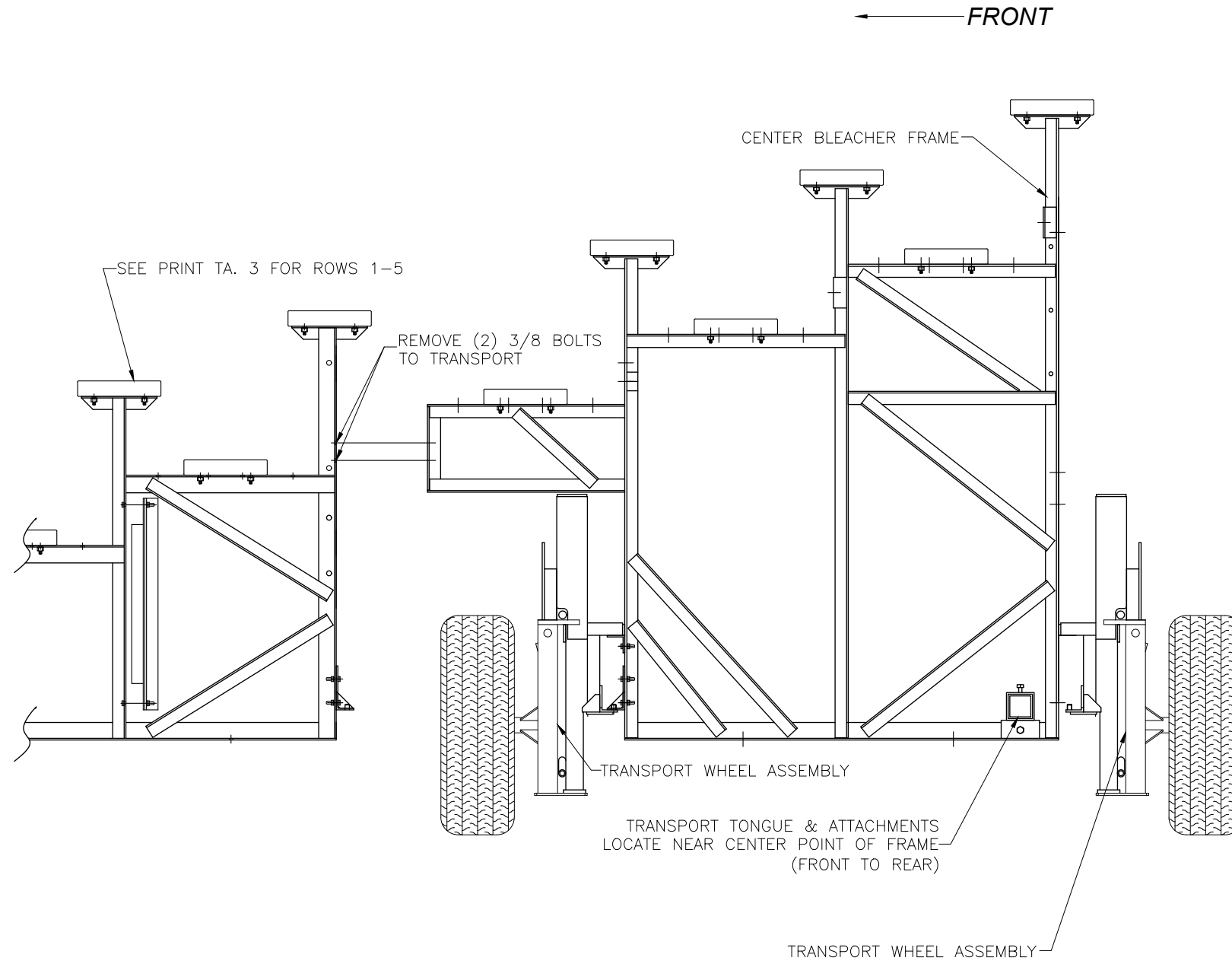


TRANSPORTABLE ROW 1 - 5  
 8 ROW BLEACHER  
 TOWABLE WITH AISLE

GS-082IADC-A-TK  
 OPTIONAL MUD SILL (-MS)

DRAWN BY  
 MME  
 CHECKED BY  
 DATE  
 01/25/2017  
 SCALE  
 JOB NO.  
 GS-082IADC-A-TK

**ROWS 6-10**



2810 Sydney Road  
Plant City, Florida 33566  
Phone: 813-305-1415  
Fax: 813-305-1419  
www.gtgrandstands.com



TRANSPORTABLE ROW 6-8  
8 ROW BLEACHER  
TOWABLE WITH AISLE

GS-082IADC-A-TK  
OPTIONAL MUD SILL (-MS)

DRAWN BY  
MME  
CHECKED BY

DATE  
01/25/2017  
SCALE

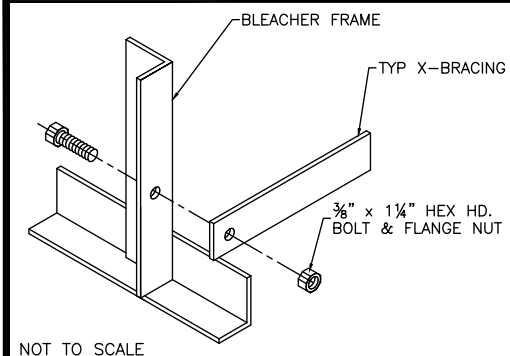
JOB NO.

GS-082IADC-A-TK

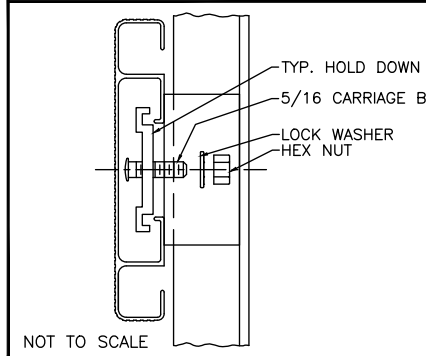
DWG NO.

TA.3

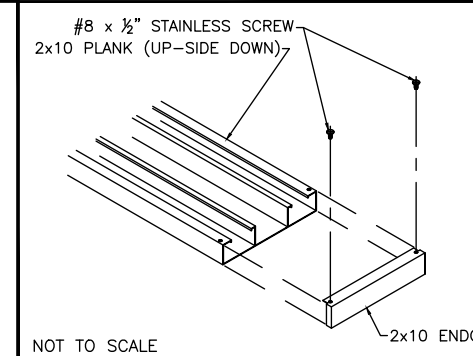
1 TYP X-BRACE CONN. W/ 1 1/4" BOLT



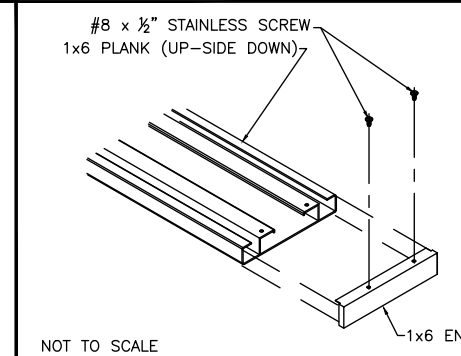
4 TYP 1x6 PLANK ATTACHMENT



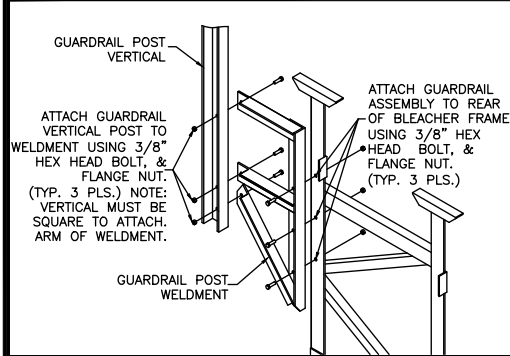
5 TYP 2x10 ENDCAP ATTACHMENT



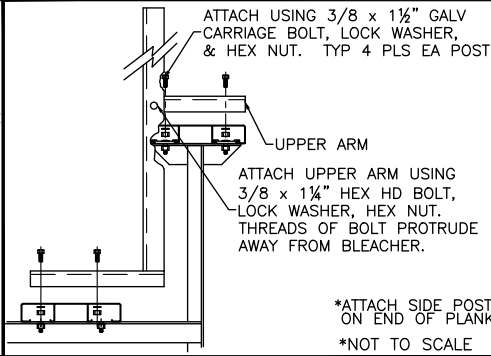
6 TYP 1x6 ENDCAP ATTACHMENT



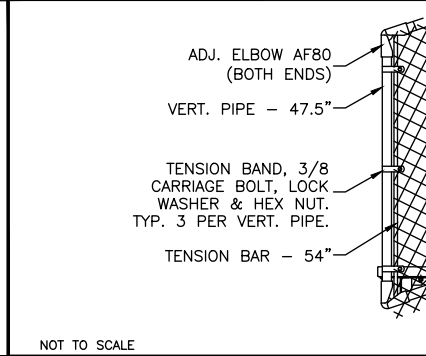
7 REAR GUARDRAIL POST ATTACH.



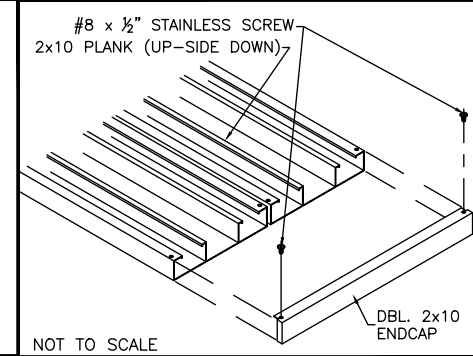
8 SIDE GD. RAIL POST INSTALLATION



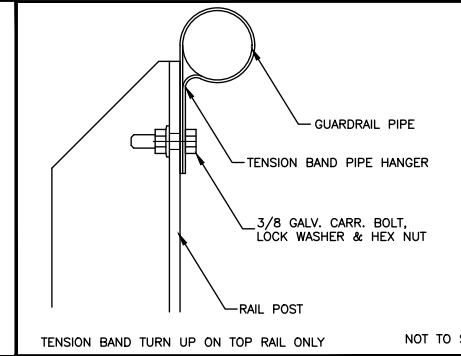
9 VERT. PIPE DET.-ELEV, SIDE, BOT.



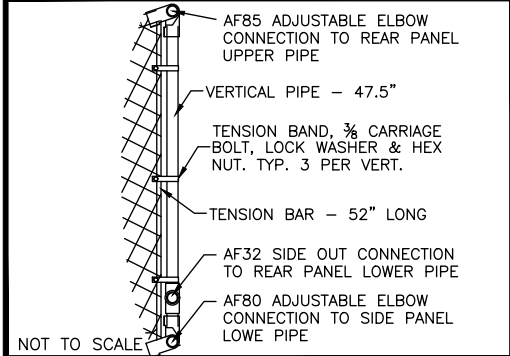
10 DBL. 2x10 ENDCAP ATTACHMENT



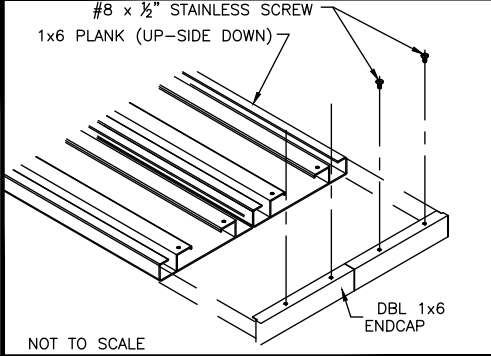
11 TENSION BAND ATTACHMENT



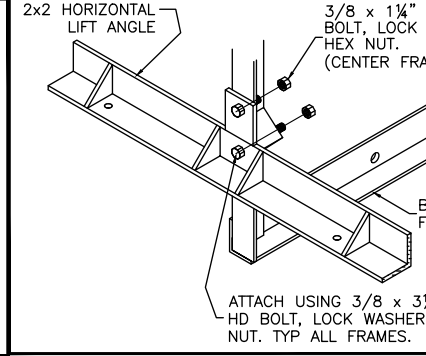
12 VERT. PIPE DETAIL (SIDE, TOP)



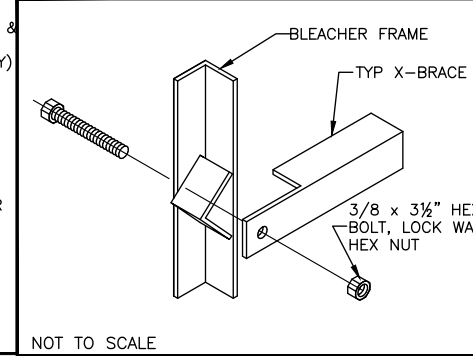
13 TYP 1x6 ENDCAP ATTACHMENT



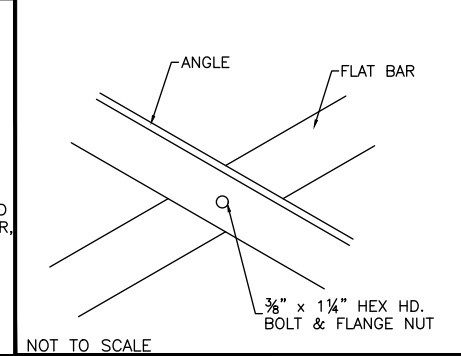
14 HORIZ. LIFT ANGLE ATTACHMENT



15 TYP X-BRACE CONN. W/3 1/2" BOLT



16 TYP X-BRACE CONN. W/ 1 1/4" BOLT



2810 Sydney Road  
Plant City, Florida 33566  
Phone: 813-305-1415  
Fax: 813-305-1419  
www.gtgrandstands.com



DETAIL SHEET  
8 ROW BLEACHER  
TOWABLE WITH AISLE

GS-082IADC-A-TK  
OPTIONAL MUD SILL (-MS)

DRAWN BY  
MME  
CHECKED BY  
DATE  
01/25/2017  
SCALE  
JOB NO.  
GS-082IADC-A-TK  
DWG NO.  
DS.1