

ALUMINUM 5 ROW x 27'-0" - GTG SERIES

MODEL GS-0527ADV-A

- CS.1 - COVER SHEET
- SP.1 - BLEACHER SEATING PLAN
- ID.1 - FRAME IDENTIFICATION
- FP.1 - FOUNDATION PLAN
- BA.1 - BLEACHER FRAMING & CLIP PRE-ASSEMBLY
- BA.2 - BLEACHER BRACING LOCATION PLAN
- BA.3 - BLEACHER ASSEMBLY
- AP.1 - ANCHORING PLAN
- PF.1 - PLANK & FRAMING PLAN
- VA.1 - VERTICAL AISLE ASSEMBLY
- GR.1 - GUARDRAIL ASSEMBLY



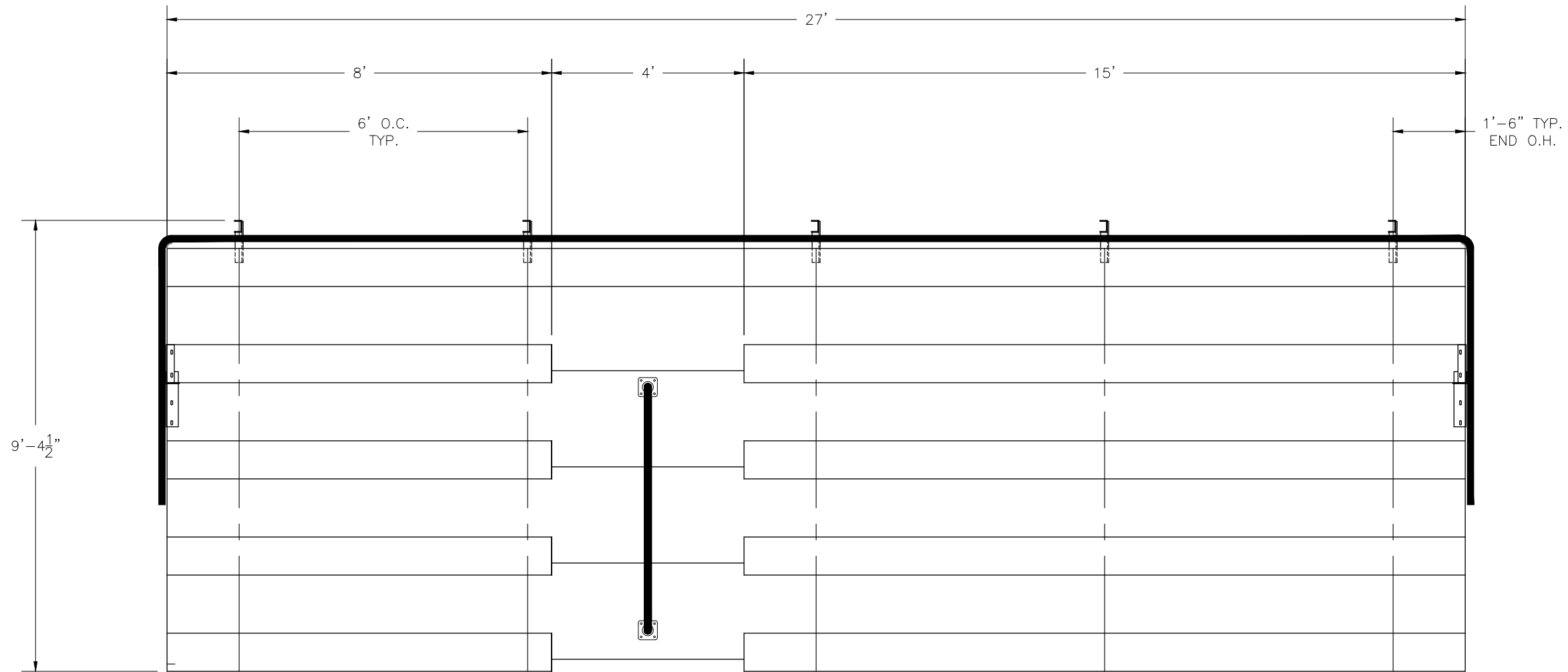
GT
GT GRANDSTANDS™
A PLAYCORE COMPANY

2810 Sydney Road
Plant City, Florida 33566
Phone: 813-305-1415
Fax: 813-305-1419
www.gtgrandstands.com

COVER SHEET
5 ROW BLEACHER
WITH AISLE & HANDICAP SPACE

GS-0527ADV-A
OPTIONAL -MS (MUD SILL)

| | |
|------------|--------------|
| DRAWN BY | MME |
| CHECKED BY | |
| DATE | 01/10/2017 |
| SCALE | |
| JOB NO. | |
| DWG NO. | GS-0527ADV-A |
| | CS.1 |



| SECTION LENGTH | GROSS SEATS | ACTUAL SEATS | NO. OF ROWS | NET SEATS |
|-----------------------------------|-------------|--------------|-------------|-----------|
| 21 | 14.00 | 14.00 | 1 | 14 |
| 9 | 6.00 | 6.00 | 4 | 24 |
| 8 | 5.33 | 5.00 | 4 | 20 |
| NET SEATS | | | | 58 |
| WHEELCHAIR SPACES | | | | 2 |
| TOTAL NET SEATING CAPACITY | | | | 60 |
| (BASED ON 18" PER SEAT) | | | | |

LOCAL CODES AND SPECIFICATIONS WILL VARY FROM REGION TO REGION AND WILL ALSO CHANGE OVER TIME. IT IS THE BUYER'S RESPONSIBILITY TO CHECK LOCAL CODES FOR COMPLIANCE.

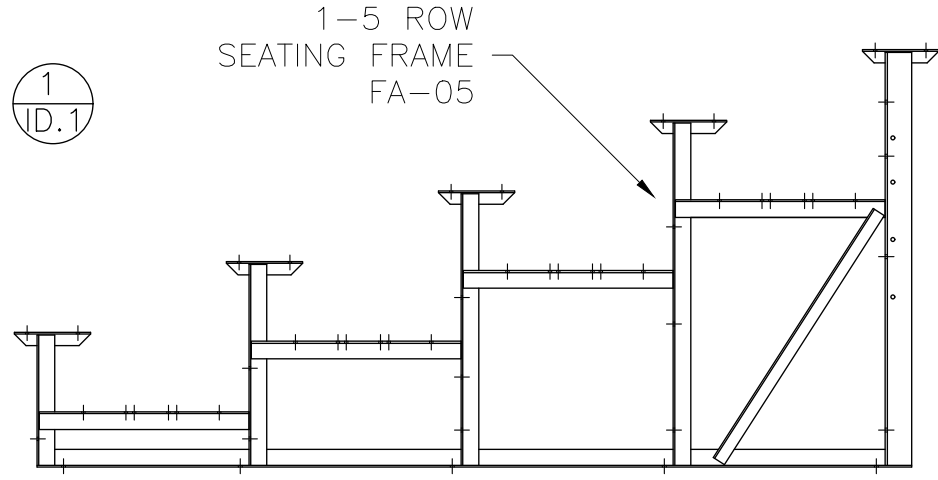


2810 Sydney Road
Plant City, Florida 33566
Phone: 813-305-1415
Fax: 813-305-1419
www.gtgrandstands.com

SEATING PLAN
5 ROW BLEACHER
WITH AISLE & HANDICAP SPACE

GS-0527ADV-A
OPTIONAL -MS (MUD SILL)

DRAWN BY
MME
CHECKED BY
DATE
01/10/2017
SCALE
JOB NO.
GS-0527ADV-A
DWG NO.
SP.1



GT
GT GRANDSTANDS™
A PLAYCORE Company

2810 Sydney Road
Plant City, Florida 33566
Phone: 813-305-1415
Fax: 813-305-1419
www.gtgrandstands.com

FRAME I.D.
5 ROW BLEACHER
WITH AISLE & HANDICAP SPACE

GS-0527ADV-A
OPTIONAL -MS (MUD SILL)

DRAWN BY
MME

CHECKED BY

DATE
01/10/2017

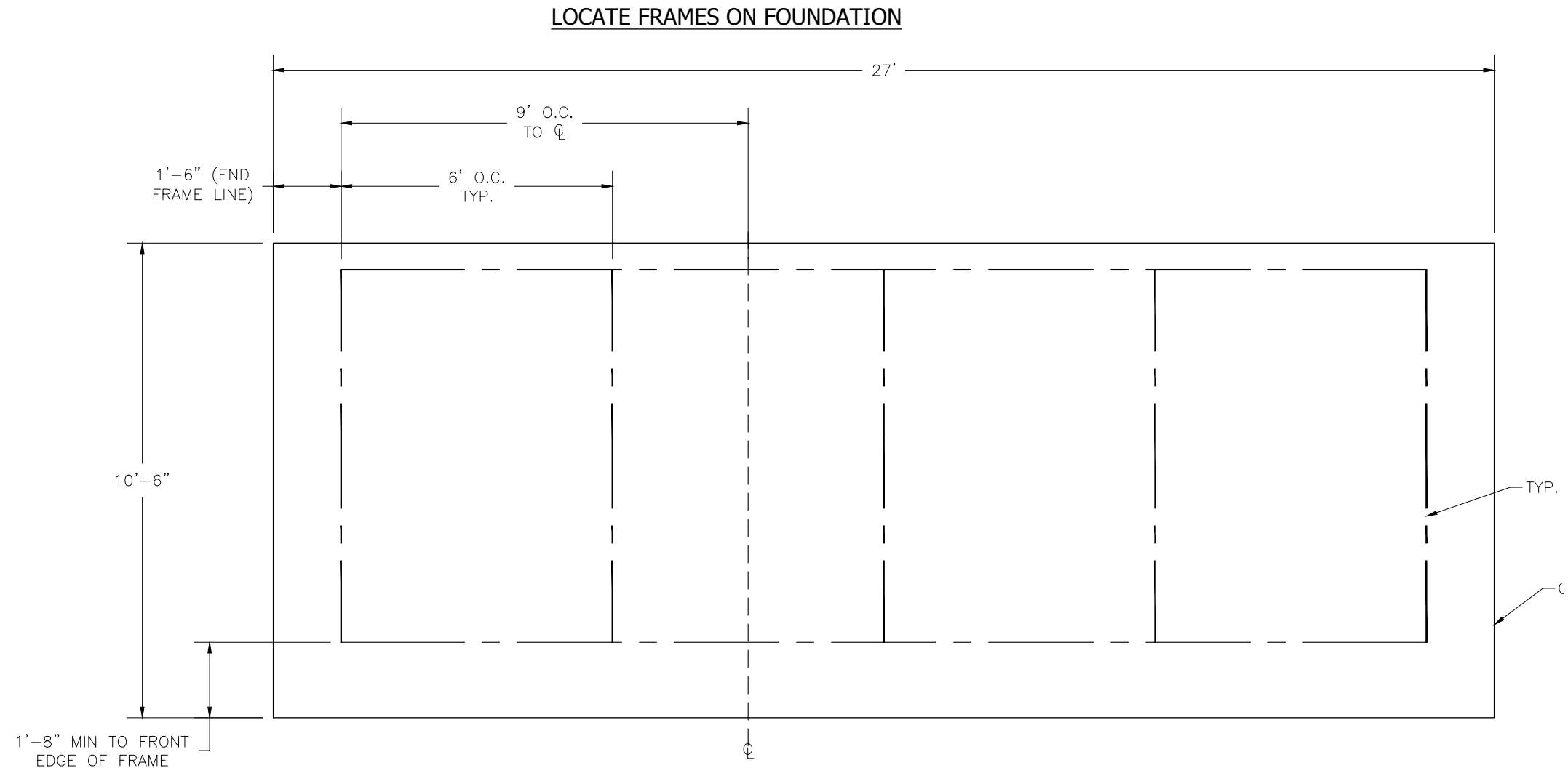
SCALE

JOB NO.

GS-0527ADV-A

DWG NO.

1D.1

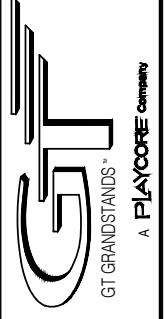


LOCATE FRAMES ON FOUNDATION

* MINIMUM FOUNDATION AREA SHOWN. DEPENDING ON LOCAL SOIL CONDITIONS, BLEACHER CAN BE INSTALLED ON A CONCRETE PAD OR FOOTERS, OR ATTACHED TO 2x6 TREATED LUMBER GROUND SILLS AND PLACED ON COMPACTED STONE, ASPHALT, OR ANY OTHER SMOOTH, SOLID, LEVEL SURFACE. CONSULT YOUR LOCAL CONCRETE CONTRACTOR TO DETERMINE PROPER CONCRETE SPECIFICATIONS FOR YOUR LOCAL SOIL AND WEATHER-RELATED CONDITIONS. THE BEARING SURFACE MUST BE CAPABLE OF SUPPORTING A MINIMUM OF 660 POUNDS PER LINEAR FOOT. TO MEET LOCAL CODES, BLEACHERS WILL NEED TO BE ANCHORED. ANCHORING SYSTEMS FOR ALL SURFACE TYPES ARE AVAILABLE - CONTACT YOUR BLEACHER SALES REPRESENTATIVE FOR MORE INFORMATION.



2810 Sydney Road
Plant City, Florida 33566
Phone: 813-305-1415
Fax: 813-305-1419
www.gtgrandstands.com



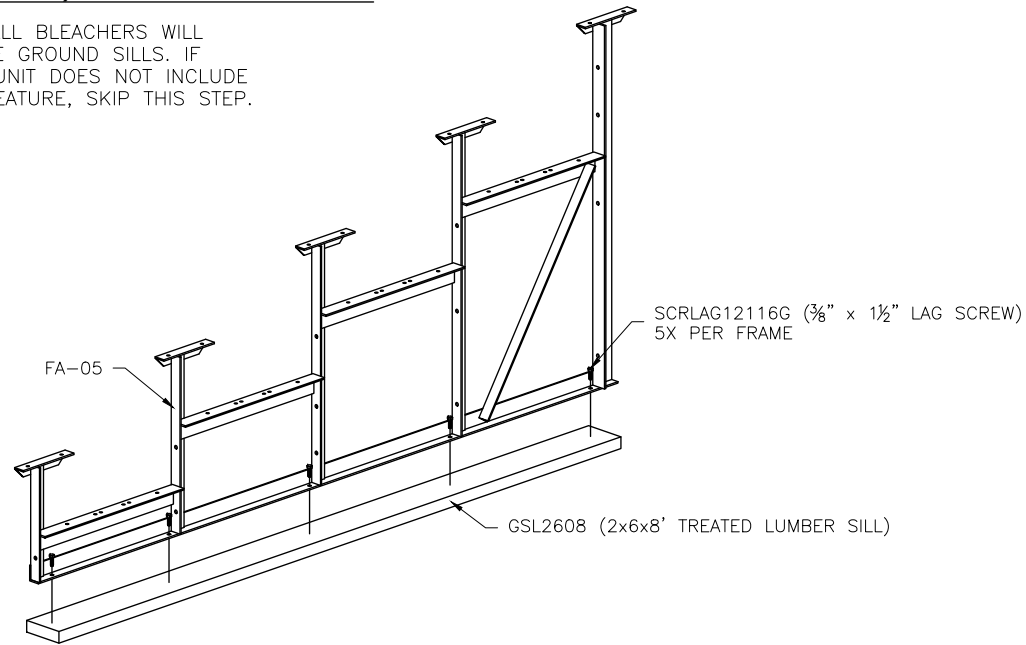
FOUNDATION PLAN
5 ROW BLEACHER
WITH AISLE & HANDICAP SPACE

GS-0527ADV-A
OPTIONAL -MS (MUD SILL)

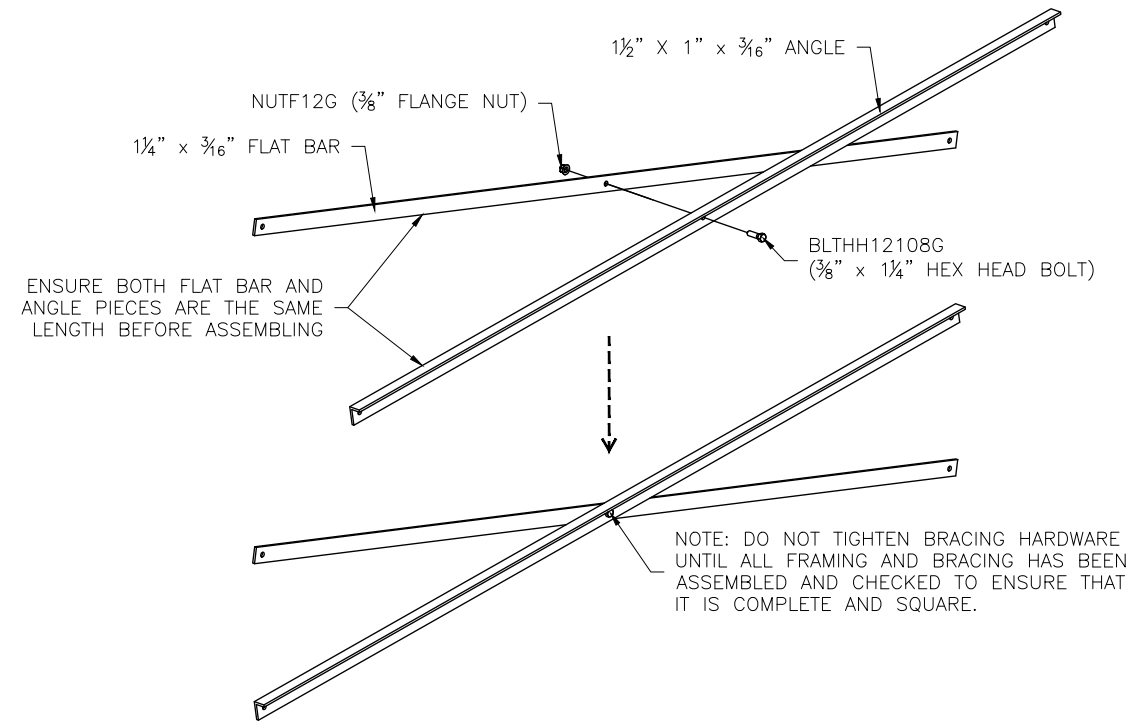
| |
|-------------------------|
| DRAWN BY MME |
| CHECKED BY |
| DATE 01/10/2017 |
| SCALE |
| JOB NO. |
| GS-0527ADV-A DWG NO. |
| FP.1 |

(OPTIONAL) ATTACH GROUND SILLS *

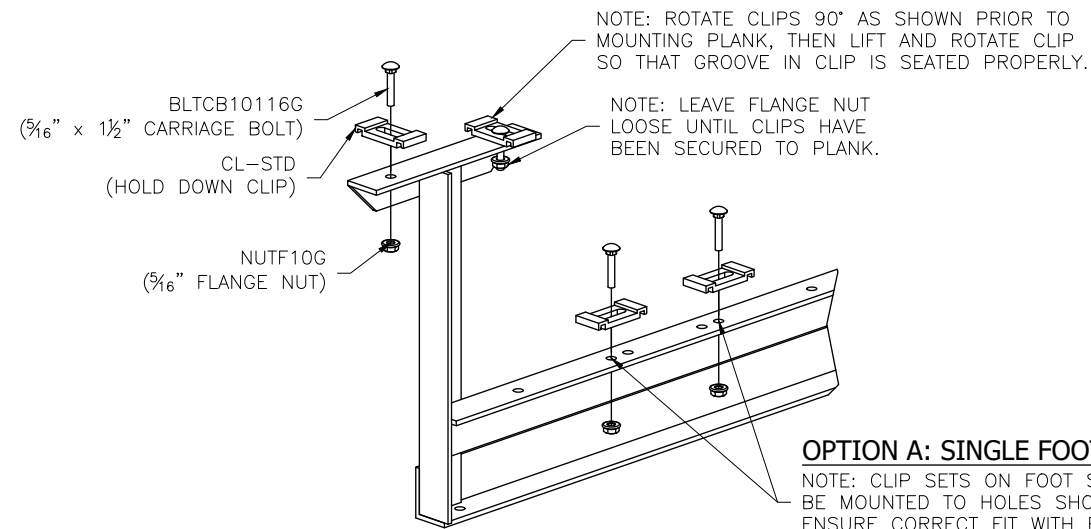
*NOT ALL BLEACHERS WILL RECEIVE GROUND SILLS. IF YOUR UNIT DOES NOT INCLUDE THIS FEATURE, SKIP THIS STEP.



PRE-ASSEMBLE X-BRACE PAIR(S)

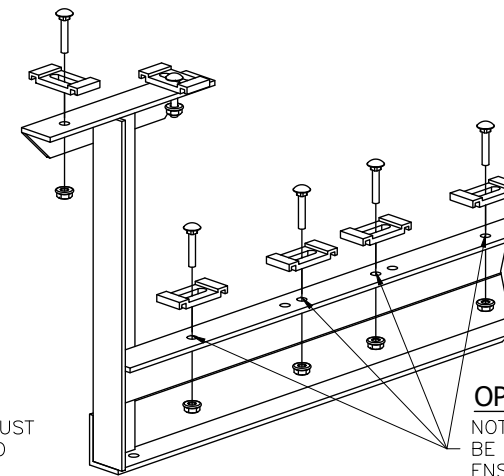


ONCE FRAMING IS COMPLETE, PRE-ASSEMBLE CLIP SETS ON BLEACHER FRAMES



OPTION A: SINGLE FOOT BOARDS

NOTE: CLIP SETS ON FOOT SUPPORTS MUST BE MOUNTED TO HOLES SHOWN HERE TO ENSURE CORRECT FIT WITH FOOT PLANK.

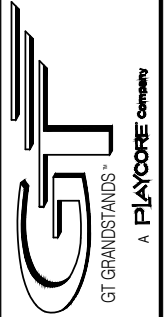


OPTION B: DOUBLE FOOT BOARDS

NOTE: CLIP SETS ON FOOT SUPPORTS MUST BE MOUNTED TO HOLES SHOWN HERE TO ENSURE CORRECT FIT WITH FOOT PLANK.



2810 Sydney Road
Plant City, Florida 33566
Phone: 813-305-1415
Fax: 813-305-1419
www.gtgrandstands.com



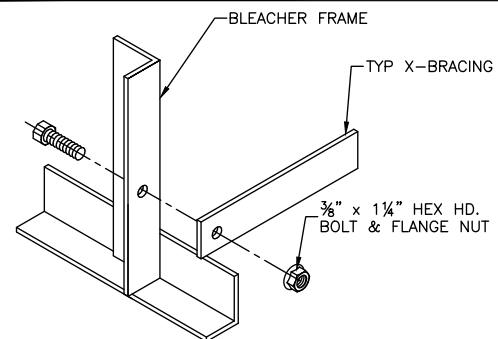
FRAMING & CLIP PRE-ASSEMBLY
5 ROW BLEACHER
WITH AISLE & HANDICAP SPACE

GS-0527ADV-A
OPTIONAL -MS (MUD SILL)

DRAWN BY
MME
CHECKED BY
DATE
01/10/2017
SCALE
JOB NO.
GS-0527ADV-A
DWG NO.

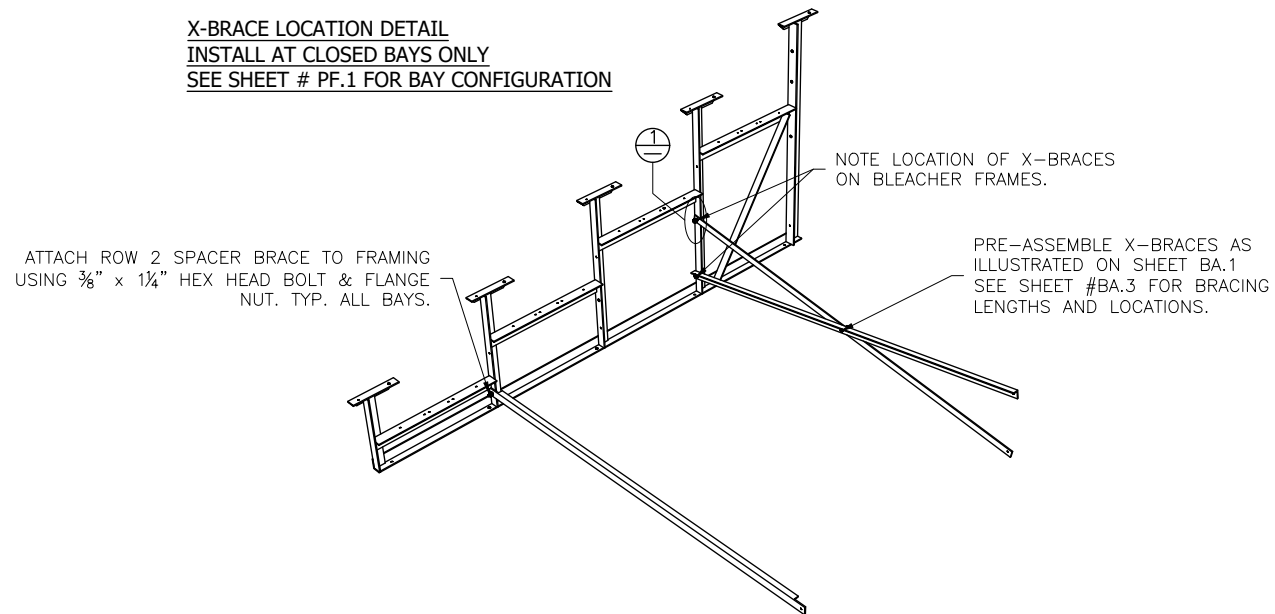
L:\Standard Models\GS-05xxADV-A and GS-05xxGDV-A (-MS)\GS-0527ADV-A.dwg, 5/3/2017 11:36:22 AM, AutoCAD PDF (High Quality Print).pc3, GOB

TYP X-BRACE CONN. W/ 1 1/4 BOLT

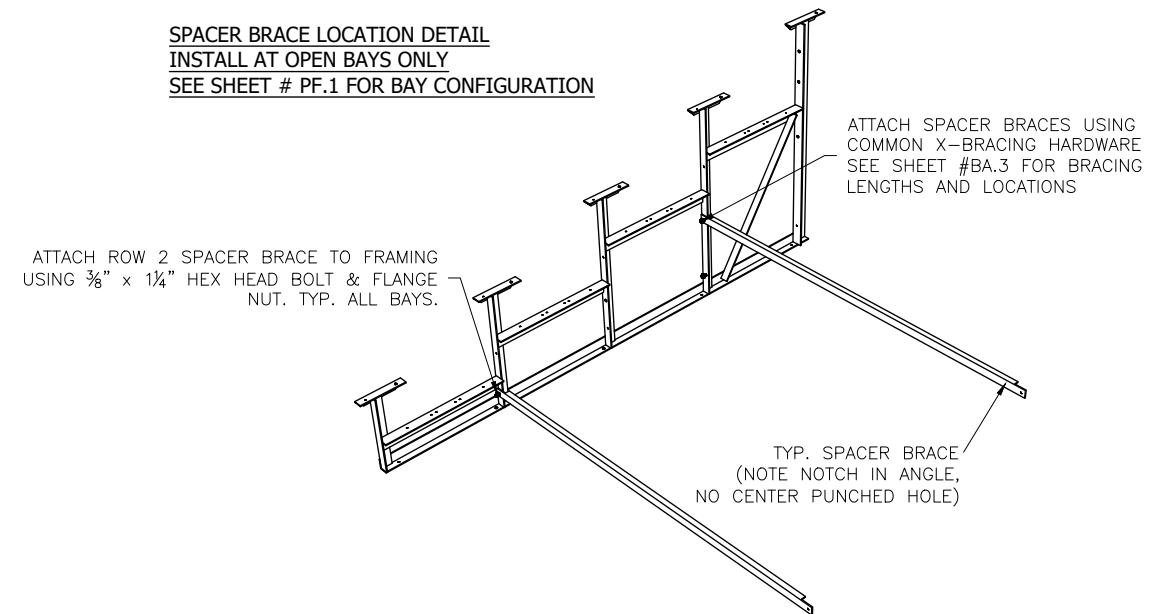


NOT TO SCALE

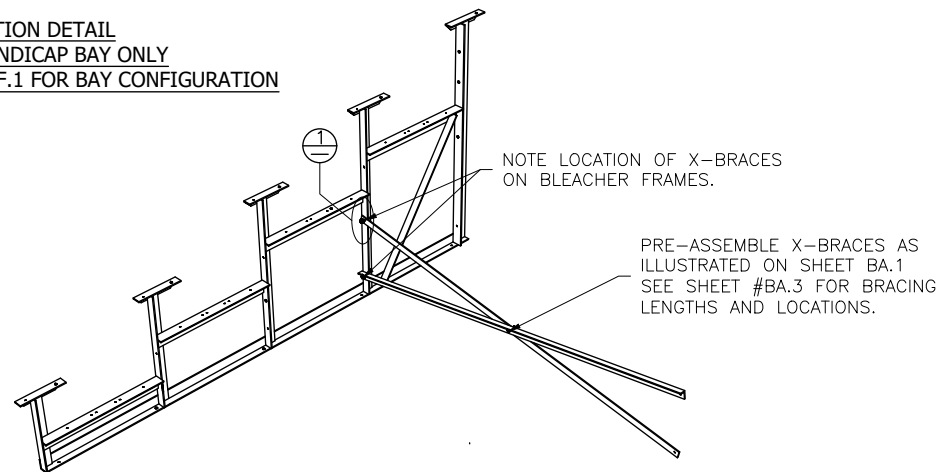
**X-BRACE LOCATION DETAIL
INSTALL AT CLOSED BAYS ONLY
SEE SHEET # PF.1 FOR BAY CONFIGURATION**



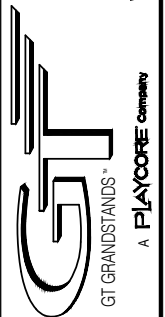
**SPACER BRACE LOCATION DETAIL
INSTALL AT OPEN BAYS ONLY
SEE SHEET # PF.1 FOR BAY CONFIGURATION**



**X-BRACE LOCATION DETAIL
INSTALL AT HANDICAP BAY ONLY
SEE SHEET # PF.1 FOR BAY CONFIGURATION**



2810 Sydney Road
Plant City, Florida 33566
Phone: 813-305-1415
Fax: 813-305-1419
www.gtgrandstands.com

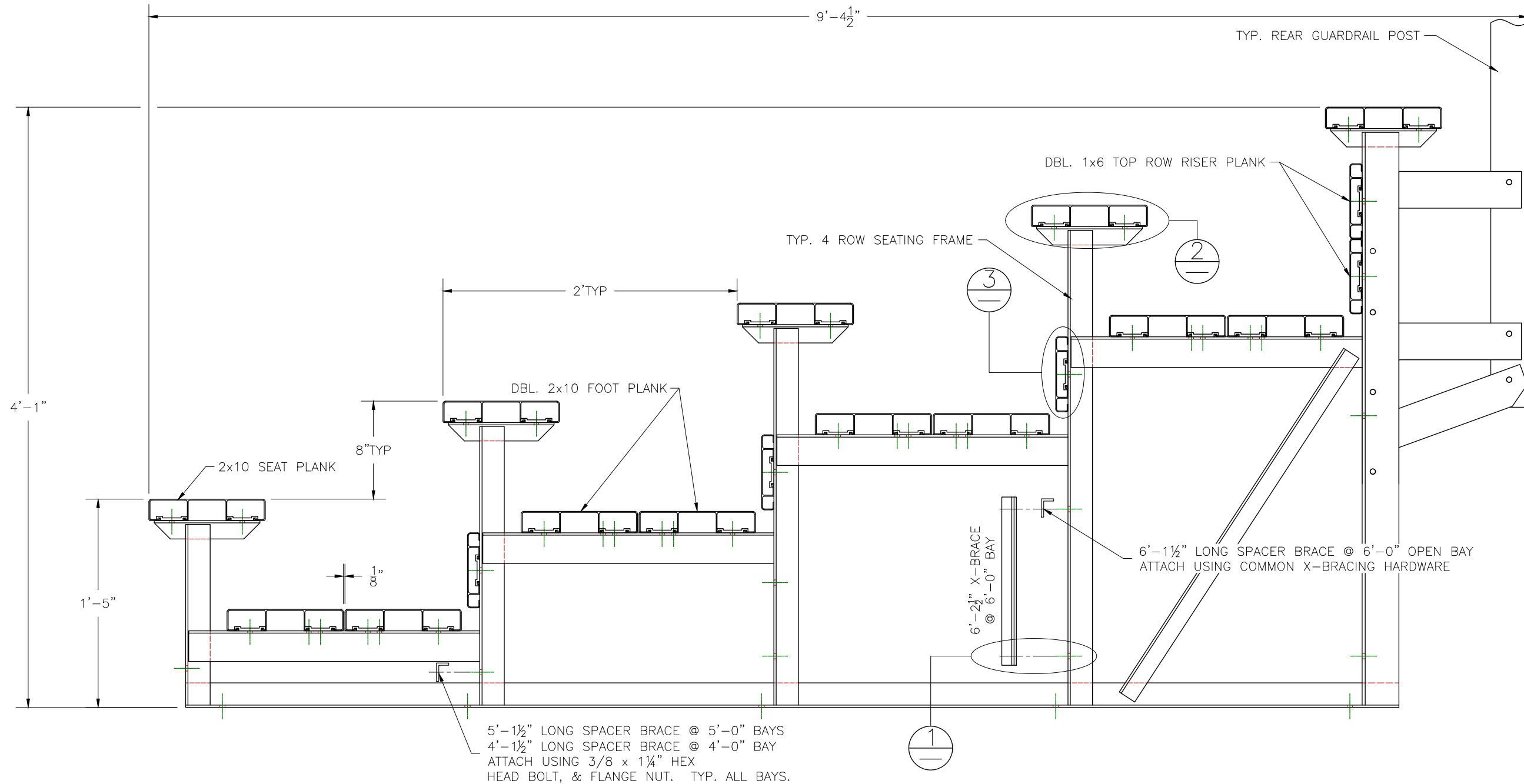
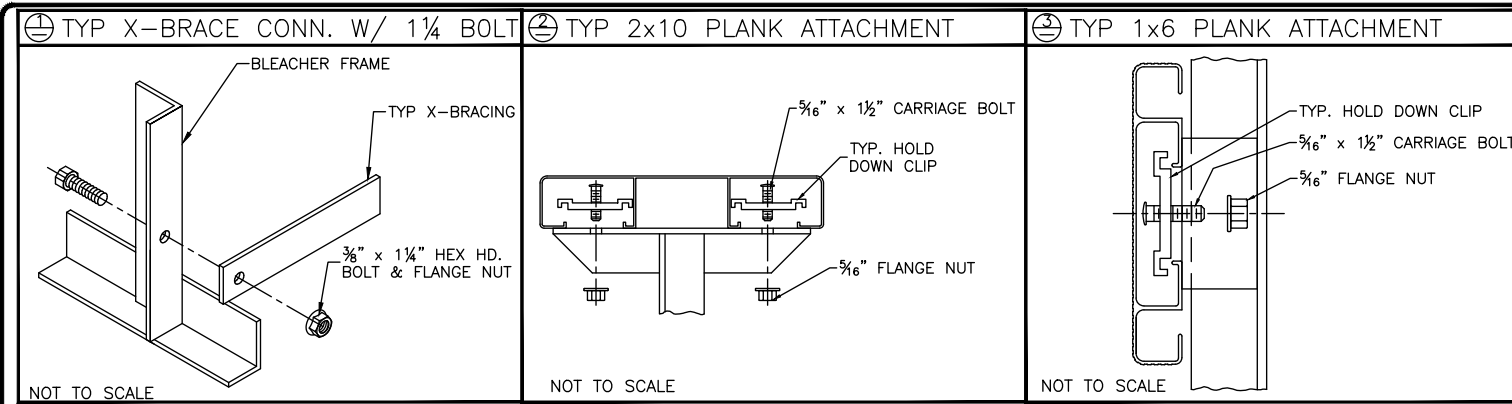


**BRACING LOCATION PLAN
5 ROW BLEACHER
WITH AISLE & HANDICAP SPACE**

**GS-0527ADV-A
OPTIONAL -MS (MUD SILL)**

| | |
|------------|--------------|
| DRAWN BY | MME |
| CHECKED BY | |
| DATE | 01/10/2017 |
| SCALE | |
| JOB NO. | |
| DWG NO. | GS-0527ADV-A |
| | BA.2 |

L:\Standard Models\GS-05xxADV-A and GS-05xxGDV-A (-MS)\GS-0527ADV-A.dwg, 5/3/2017 11:36:27 AM, AutoCAD PDF (High Quality Print).pc3, GOB



2810 Sydney Road
Plant City, Florida 33566
Phone: 813-305-1415
Fax: 813-305-1419
www.gtgrandstands.com

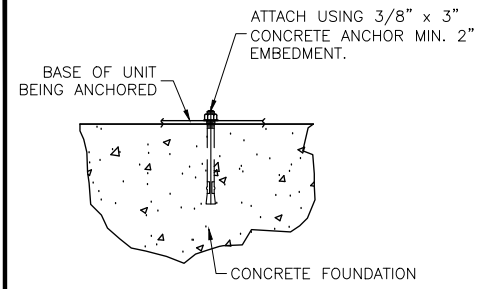
GT
GT GRANDSTANDS
A PLAYCORE COMPANY

BLEACHER ASSEMBLY
5 ROW BLEACHER
WITH AISLE & HANDICAP SPACE

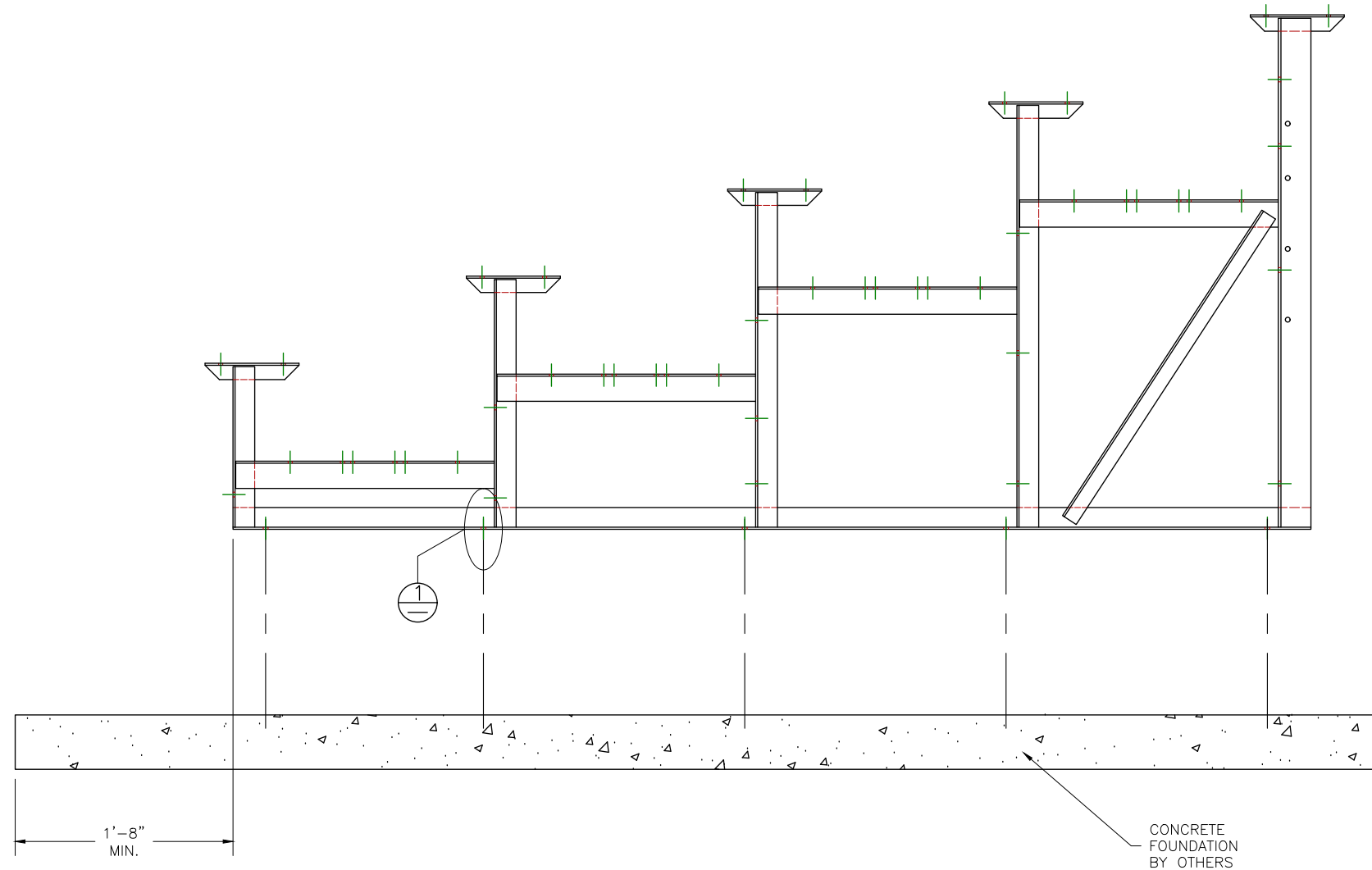
GS-0527ADV-A
OPTIONAL -MS (MUD SILL)

| |
|--------------------|
| DRAWN BY MME |
| CHECKED BY |
| DATE 01/10/2017 |
| SCALE |
| JOB NO. |
| GS-0527ADV-A |
| DWG NO. BA.3 |

WEDGE ANCHOR DETAIL - 3"



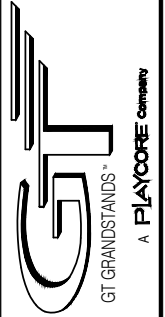
(OPTIONAL) ANCHOR BLEACHER TO CONCRETE FOUNDATION *



* CONCRETE WEDGE ANCHORS NOT INCLUDED WITH ALL UNITS. IF USING OTHER ANCHORING SYSTEM, SKIP THIS STEP AND REFER TO INSTRUCTIONS SPECIFIC TO THE ANCHORING SYSTEM PURCHASED FOR YOUR UNIT. SEE PRINT FP.1 (INCLUDED IN THIS PACKET) FOR GENERAL CONCRETE FOUNDATION SPECIFICATIONS.



2810 Sydney Road
Plant City, Florida 33566
Phone: 813-305-1415
Fax: 813-305-1419
www.gtgrandstands.com



FOUNDATION PLAN
5 ROW BLEACHER
WITH AISLE & HANDICAP SPACE

GS-0527ADV-A
OPTIONAL -MS (MUD SILL)

DRAWN BY
MME
CHECKED BY

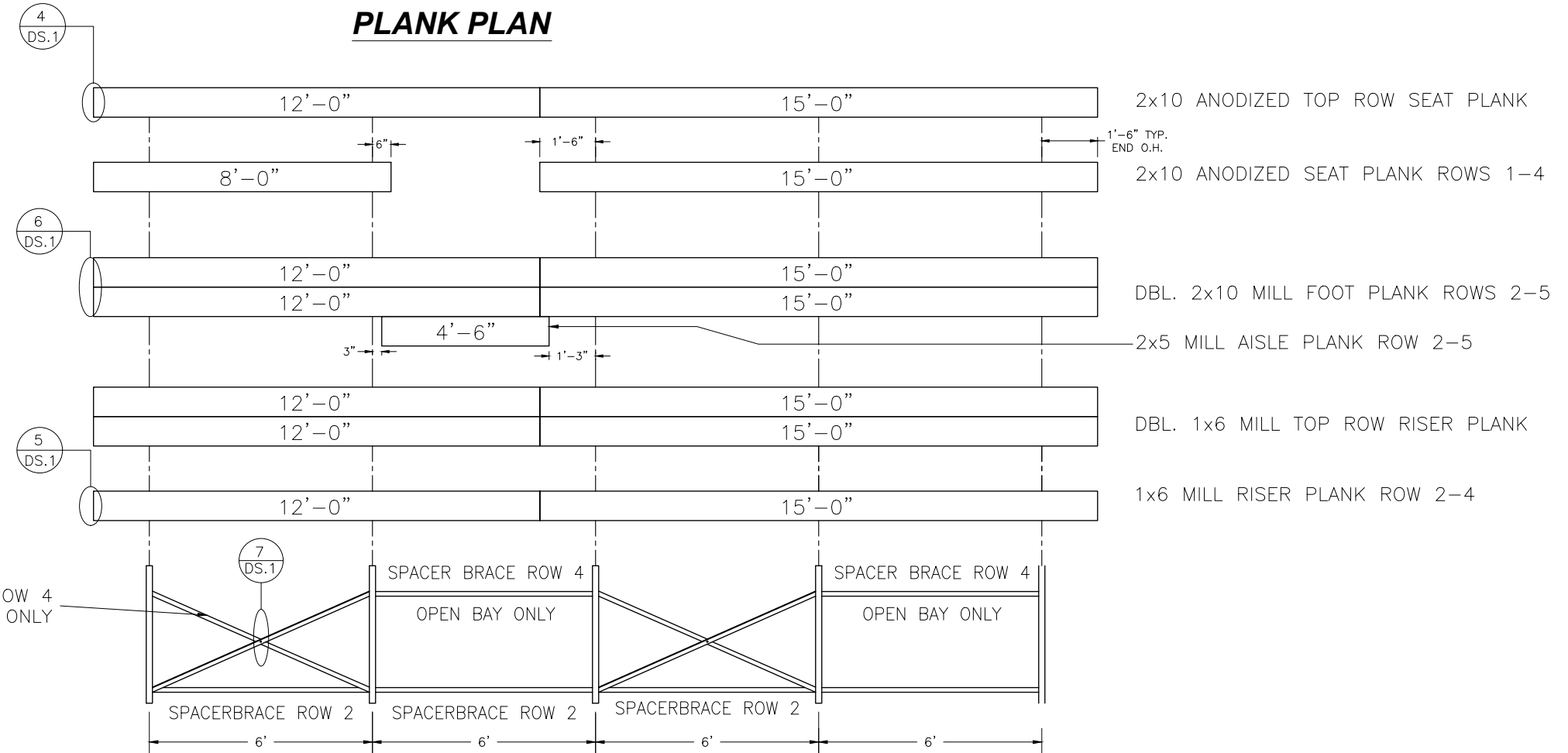
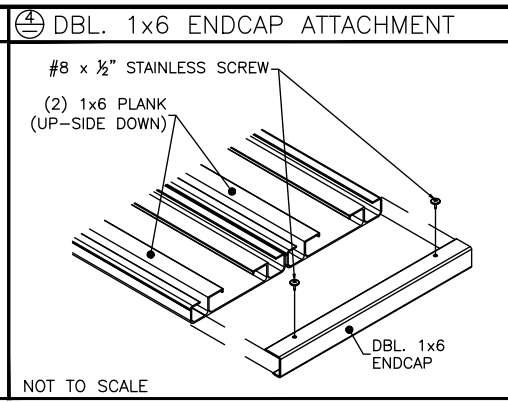
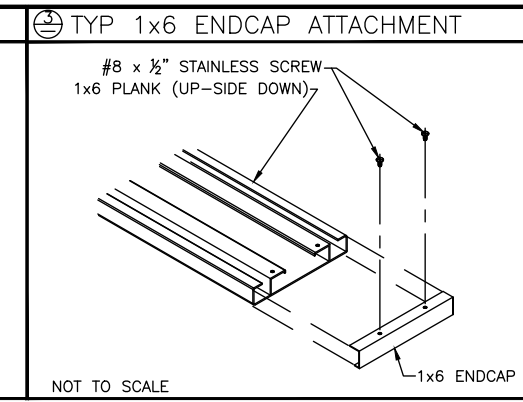
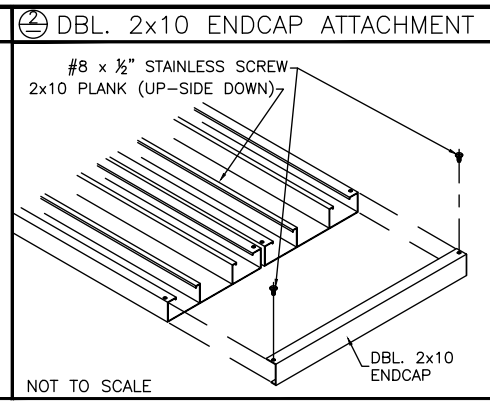
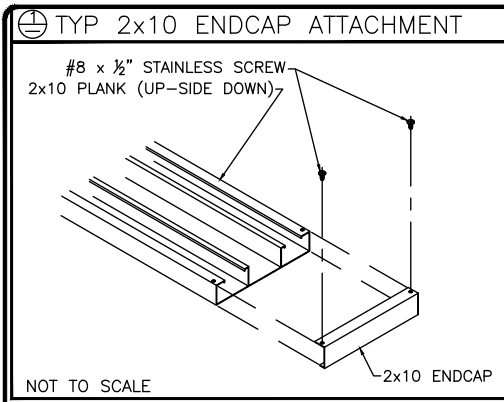
DATE
01/10/2017
SCALE

JOB NO.

GS-0527ADV-A
DWG NO.

AP.1

L:\Standard Models\GS-05xxADV-A and GS-05xxGDV-A (-MS)\GS-0527ADV-A.dwg, 5/3/2017 11:36:37 AM, AutoCAD PDF (High Quality Print).pc3, GOB



FRAMING PLAN



2810 Sydney Road
Plant City, Florida 33566
Phone: 813-305-1415
Fax: 813-305-1419
www.gtgrandstands.com

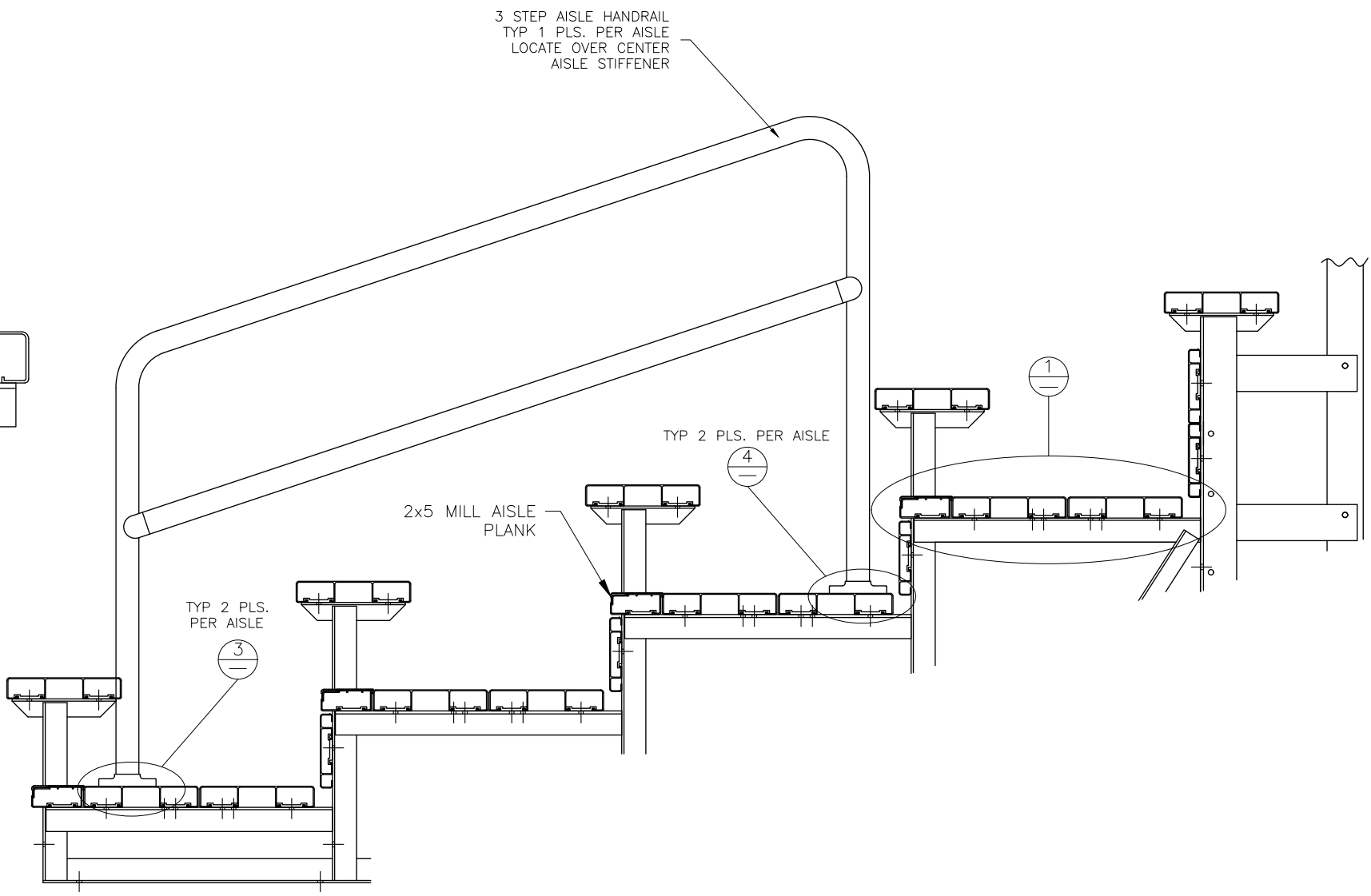
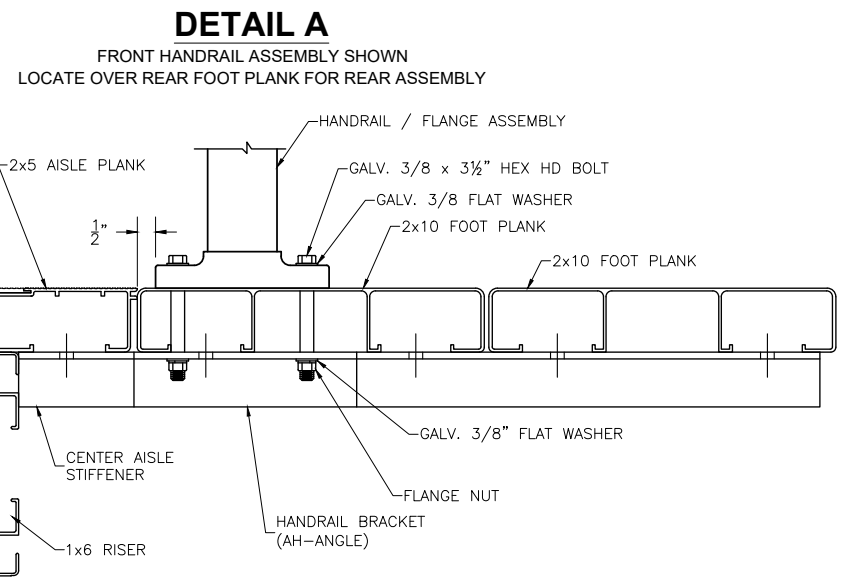
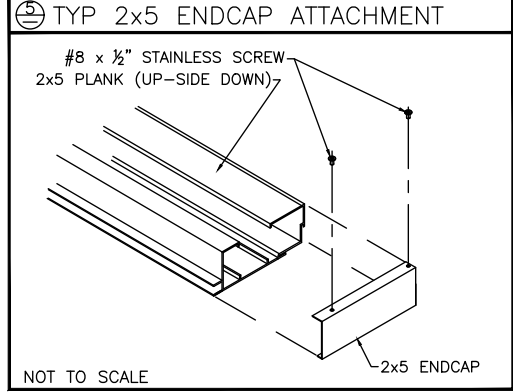
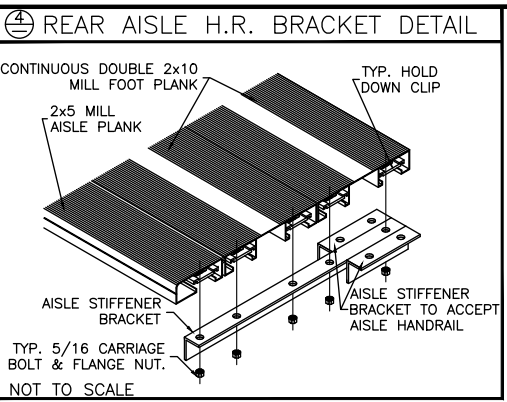
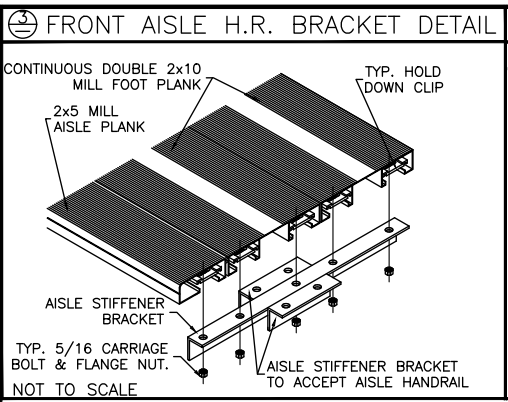
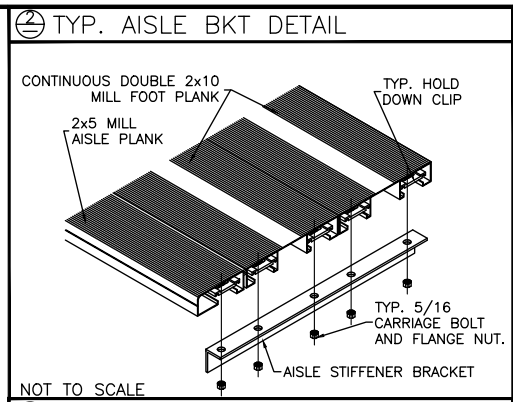
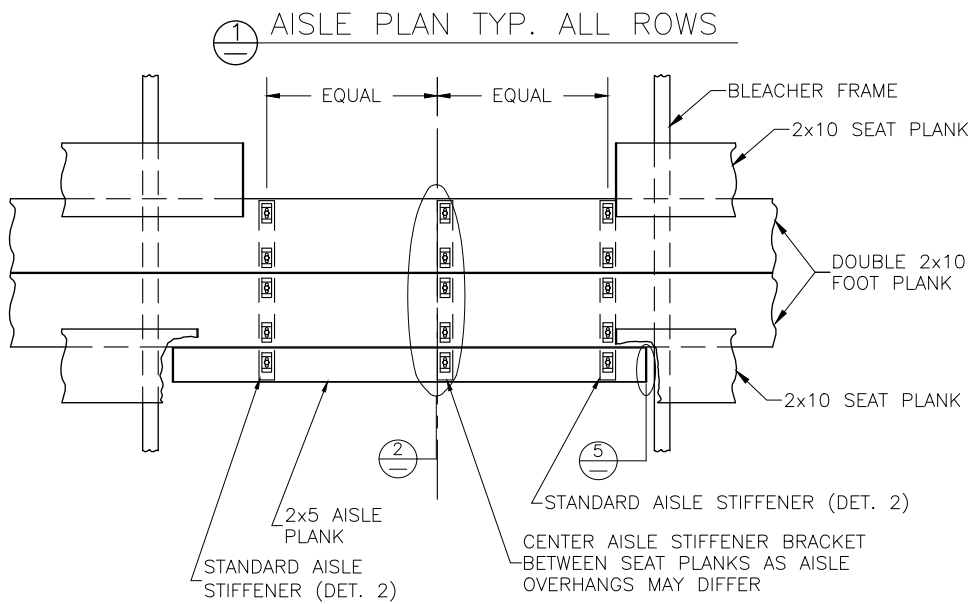


PLANK & FRAMING PLAN
5 ROW BLEACHER
WITH AISLE & HANDICAP SPACE

GS-0527ADV-A
OPTIONAL -MS (MUD SILL)

| |
|--------------------|
| DRAWN BY MME |
| CHECKED BY TLC |
| DATE 01/10/2017 |
| SCALE |
| JOB NO. |
| GS-0527ADV-A |
| DWG NO. |
| PF.1 |

L:\Standard Models\GS-05xxADV-A and GS-05xxGDV-A (-MS)\GS-0527ADV-A.dwg, 5/3/2017 11:36:42 AM, AutoCAD PDF (High Quality Print).pc3, GOB



2810 Sydney Road
Plant City, Florida 33566
Phone: 813-305-1415
Fax: 813-305-1419
www.gtgrandstands.com

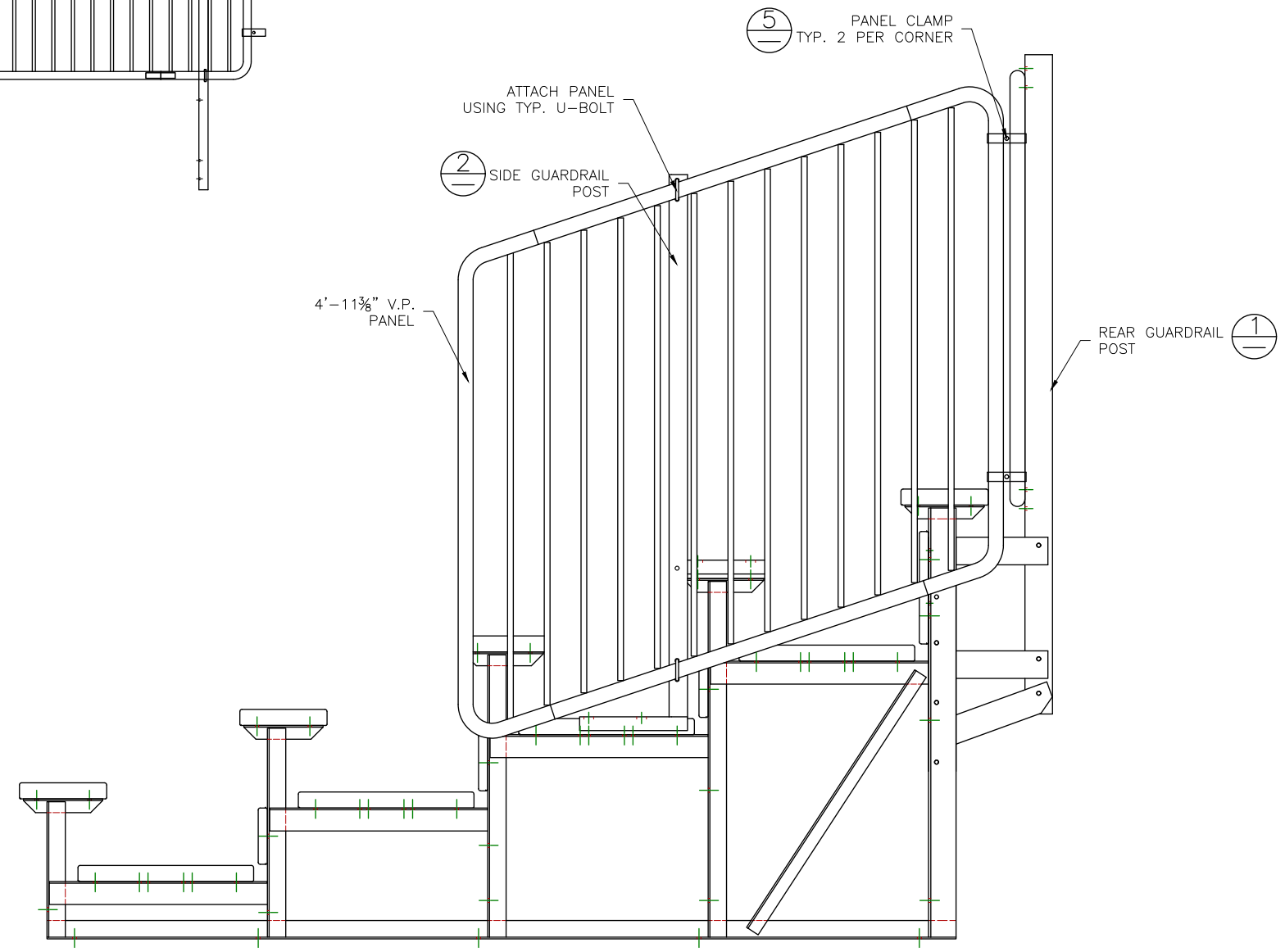
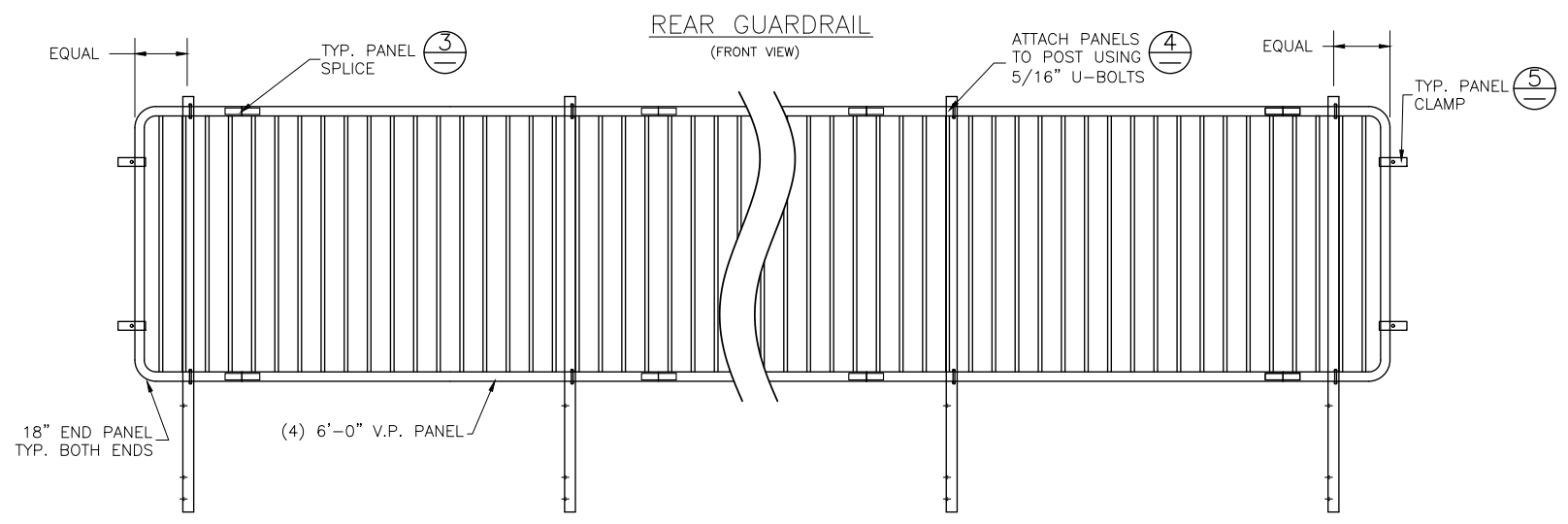
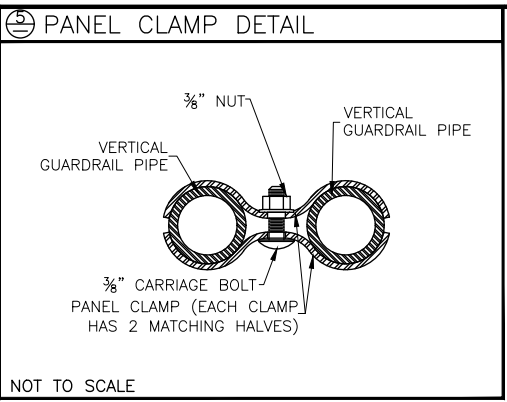
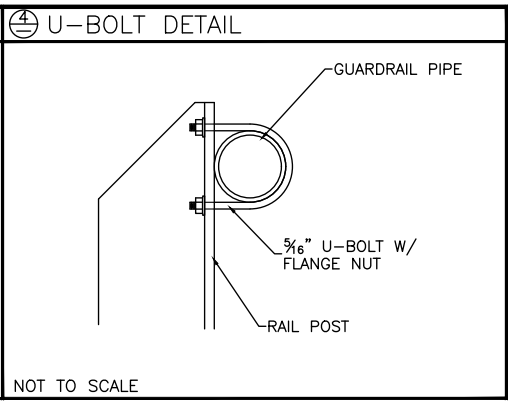
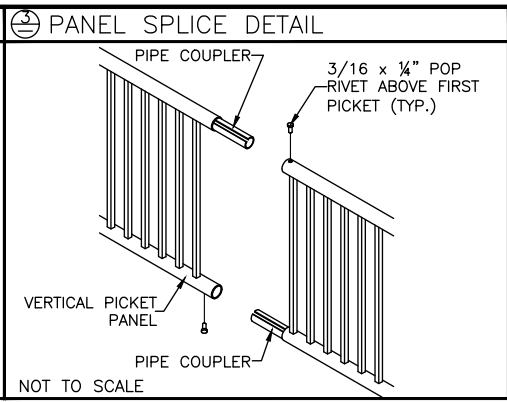
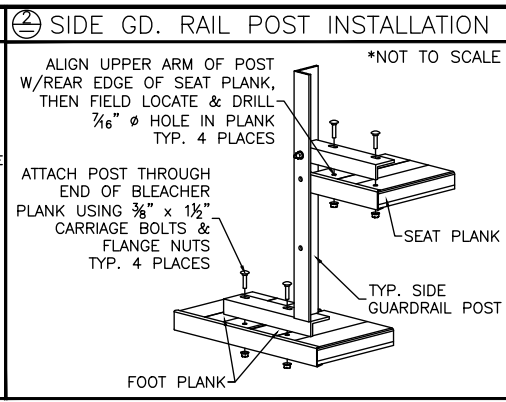
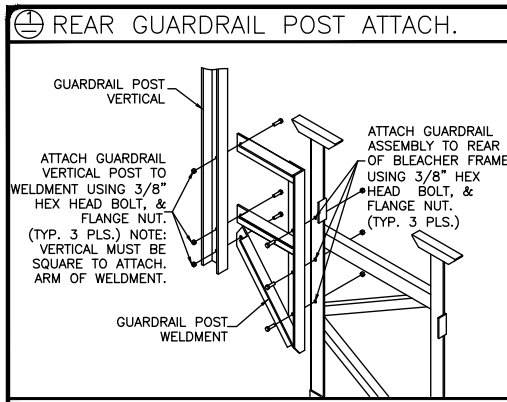
GT
GT GRANDSTANDS
A PLAYCORE Company

VERTICAL AISLE ASSEMBLY
5 ROW BLEACHER
WITH AISLE & HANDICAP SPACE

GS-0527ADV-A
OPTIONAL -MS (MUD SILL)

DRAWN BY
MME
CHECKED BY
DATE
01/10/2017
SCALE
JOB NO.
GS-0527ADV-A
DWG NO.
VA.1

L:\Standard Models\GS-05xxADV-A and GS-05xxGDV-A (-MS)\GS-0527ADV-A.dwg, 5/3/2017 11:36:47 AM, AutoCAD PDF (High Quality Print).pc3, GOB



2810 Sydney Road
Plant City, Florida 33566
Phone: 813-305-1415
Fax: 813-305-1419
www.gtgrandstands.com



GUARDRAIL ASSEMBLY
5 ROW BLEACHER
WITH AISLE & HANDICAP SPACE

GS-0527ADV-A
OPTIONAL -MS (MUD SILL)

DRAWN BY
MME
CHECKED BY
DATE
01/10/2017
SCALE
JOB NO.
GS-0527ADV-A
DWG NO.

GR.1