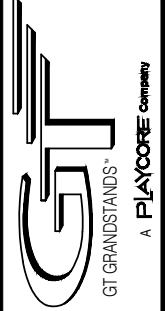


# ALUMINUM 5 ROW x 21'-0" - STANDARD SERIES

MODEL  
**GS-0521ADV-A-HC**



2810 Sydney Road  
Plant City, Florida 33566  
Phone: 813-305-1415  
Fax: 813-305-1419  
www.gtgrandstands.com

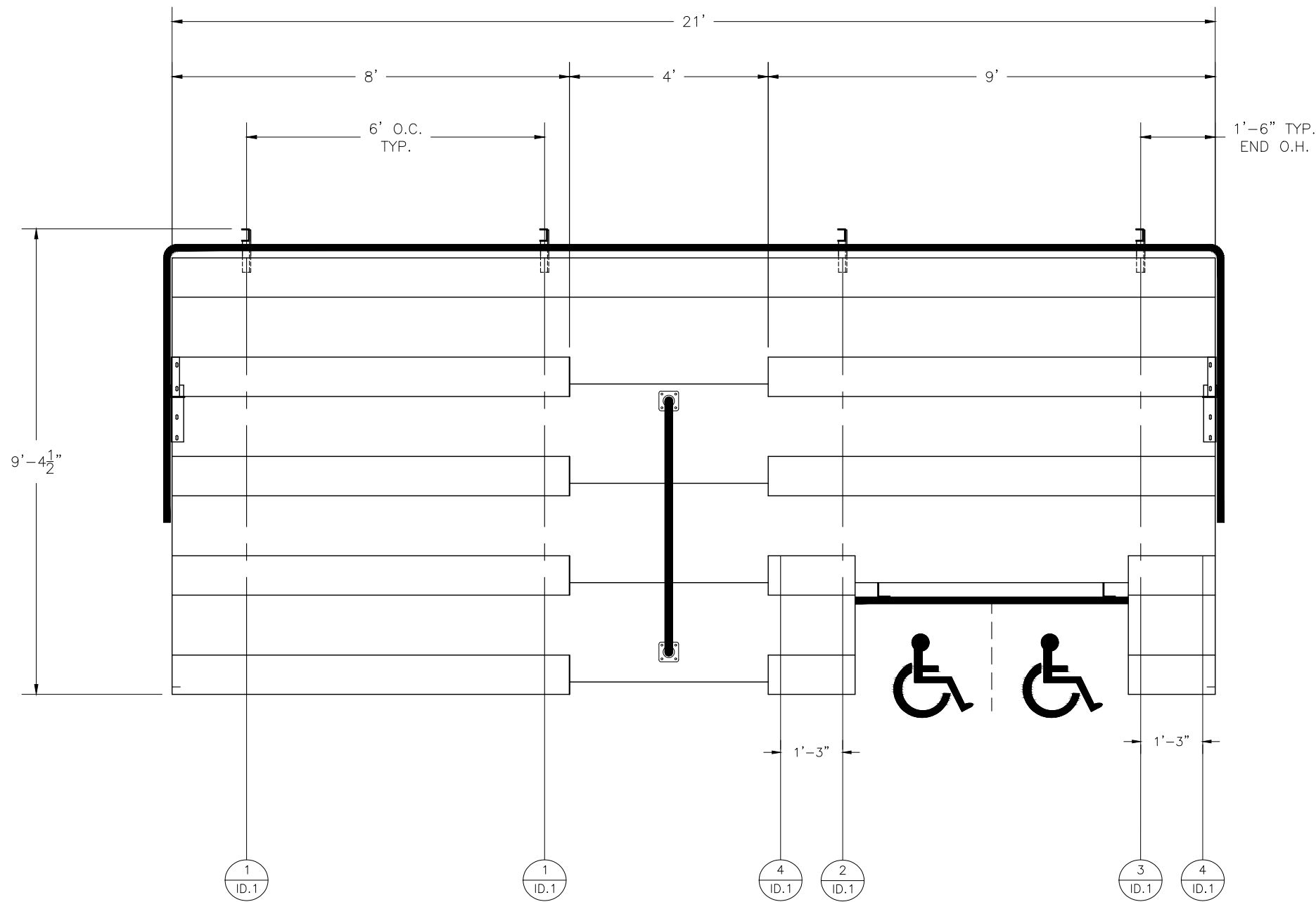


COVER SHEET  
5 ROW BLEACHER  
WITH AISLE & HANDICAP SPACE

GS-0521ADV-A-HC  
OPTIONAL -MS (MUD SILL)

- CS.1 – COVER SHEET
- SP.1 – BLEACHER SEATING PLAN
- FP.1 – FOUNDATION PLAN
- BA.1 – BLEACHER FRAMING & CLIP PRE-ASSEMBLY
- BA.2 – BLEACHER BRACING LOCATION PLAN
- BA.3 – BLEACHER ASSEMBLY
- AP.1 – ANCHORING PLAN
- PF.1 – PLANK & FRAMING PLAN
- VA.1 – VERTICAL AISLE ASSEMBLY
- GR.1 – GUARDRAIL ASSEMBLY

DRAWN BY MME
CHECKED BY
DATE 01/10/2017
SCALE
JOB NO.
GS-0521ADV-A-HC
DWG NO. CS.1

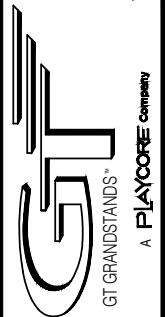


SECTION LENGTH	GROSS SEATS	ACTUAL SEATS	NO. OF ROWS	NET SEATS
21	14.00	14.00	1	14
9	6.00	6.00	2	12
8	5.33	5.00	4	20
1.75	1.17	1.00	2	2
1.75	1.17	1.00	2	2
<b>NET SEATS</b>				<b>48</b>
<b>WHEELCHAIR SPACES</b>				<b>2</b>
<b>TOTAL NET SEATING CAPACITY</b>				<b>50</b>
<i>(BASED ON 18" PER SEAT)</i>				

LOCAL CODES AND SPECIFICATIONS WILL VARY FROM REGION TO REGION AND WILL ALSO CHANGE OVER TIME. IT IS THE BUYER'S RESPONSIBILITY TO CHECK LOCAL CODES FOR COMPLIANCE.



2810 Sydney Road  
Plant City, Florida 33566  
Phone: 813-305-1415  
Fax: 813-305-1419  
www.gtgrandstands.com

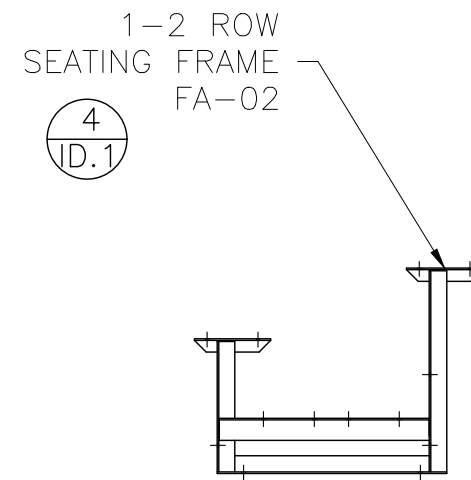
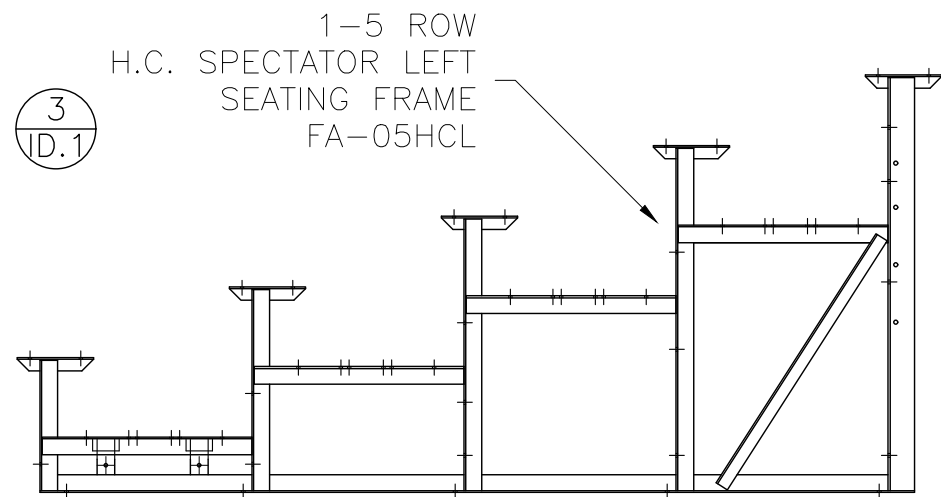
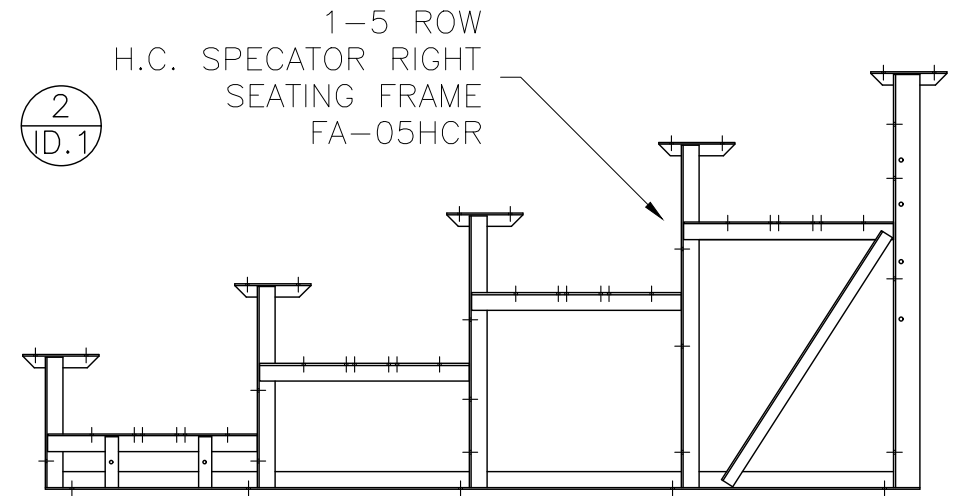
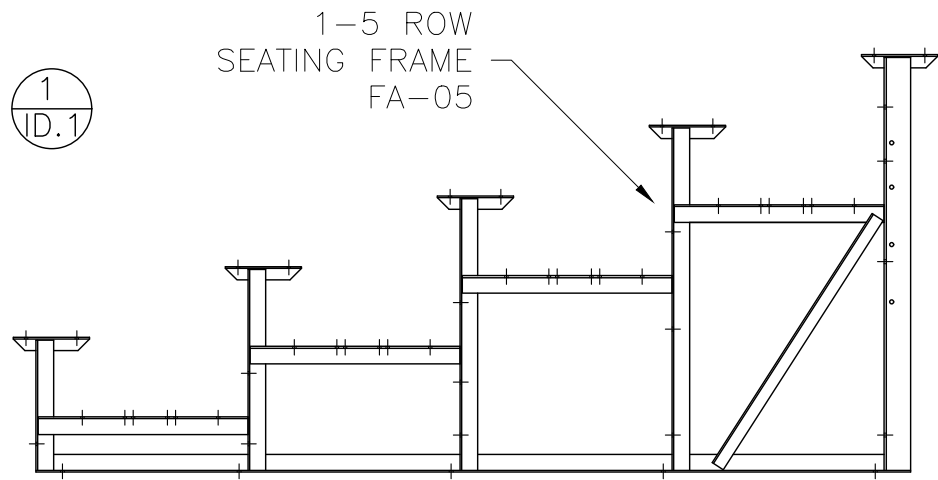


SEATING PLAN  
5 ROW BLEACHER  
WITH AISLE & HANDICAP SPACE

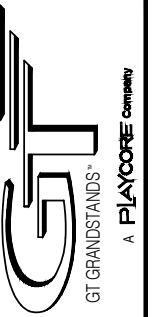
GS-052IADV-A-HC  
OPTIONAL -MS (MUD SILL)

DRAWN BY  
MME  
CHECKED BY  
DATE  
01/10/2017  
SCALE  
JOB NO.  
GS-052IADV-A-HC  
DWG NO.

SP.1



2810 Sydney Road  
Plant City, Florida 33566  
Phone: 813-305-1415  
Fax: 813-305-1419  
www.gtgrandstands.com



FRAME I.D.  
5 ROW BLEACHER  
WITH AISLE & HANDICAP SPACE

GS-052IADV-A-HC  
OPTIONAL -MS (MUD SILL)

DRAWN BY  
MME  
CHECKED BY

DATE  
01/10/2017  
SCALE

JOB NO.

GS-052IADV-A-HC  
DWG NO.

ID.1



2810 Sydney Road  
 Plant City, Florida 33566  
 Phone: 813-305-1415  
 Fax: 813-305-1419  
 www.gtgrandstands.com

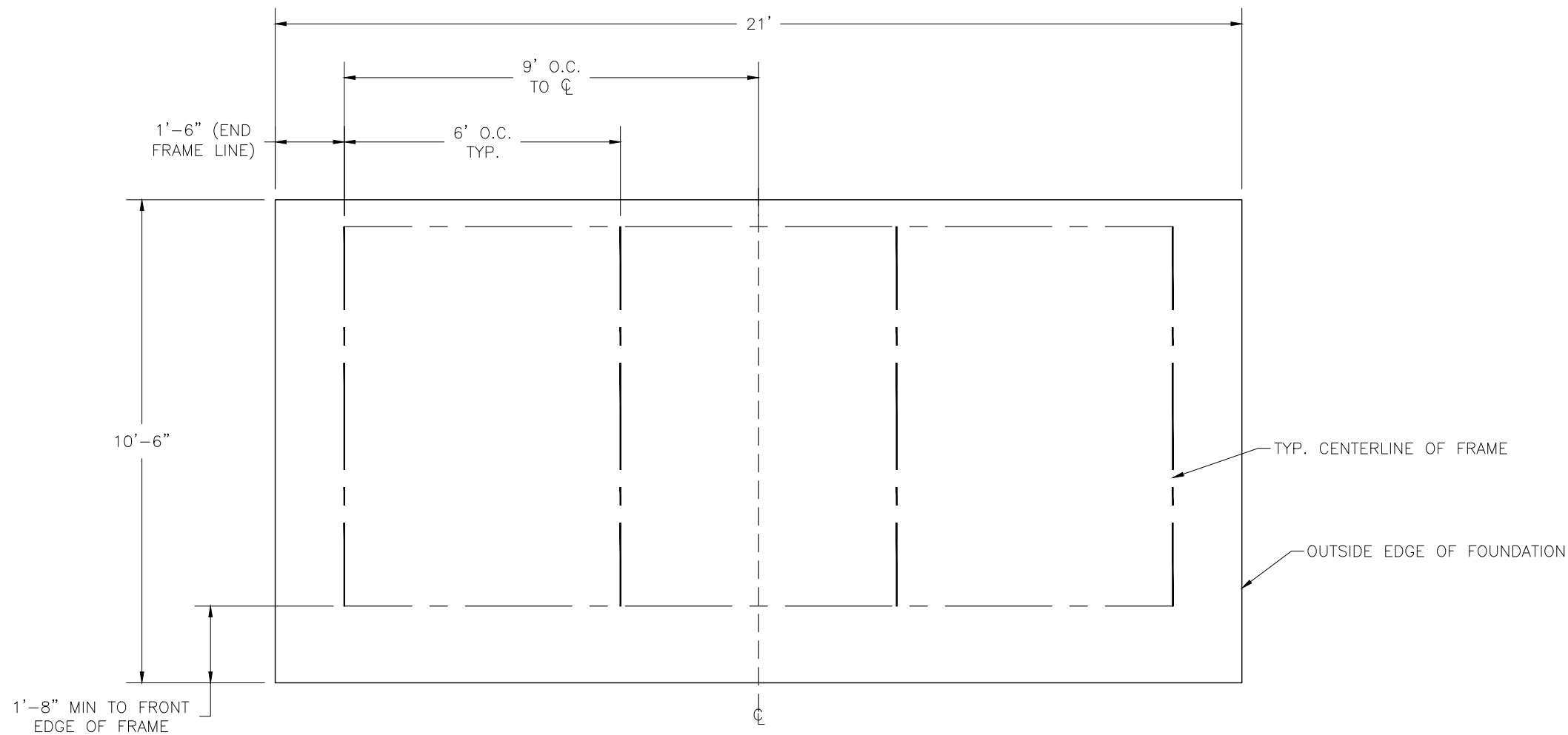


FOUNDATION PLAN  
 5 ROW BLEACHER  
 WITH AISLE & HANDICAP SPACE

GS-052IADV-A-HC  
 OPTIONAL -MS (MUD SILL)

DRAWN BY  
 MME  
 CHECKED BY  
 DATE  
 01/10/2017  
 SCALE  
 JOB NO.  
 GS-052IADV-A-HC  
 DWG NO.  
 FP.1

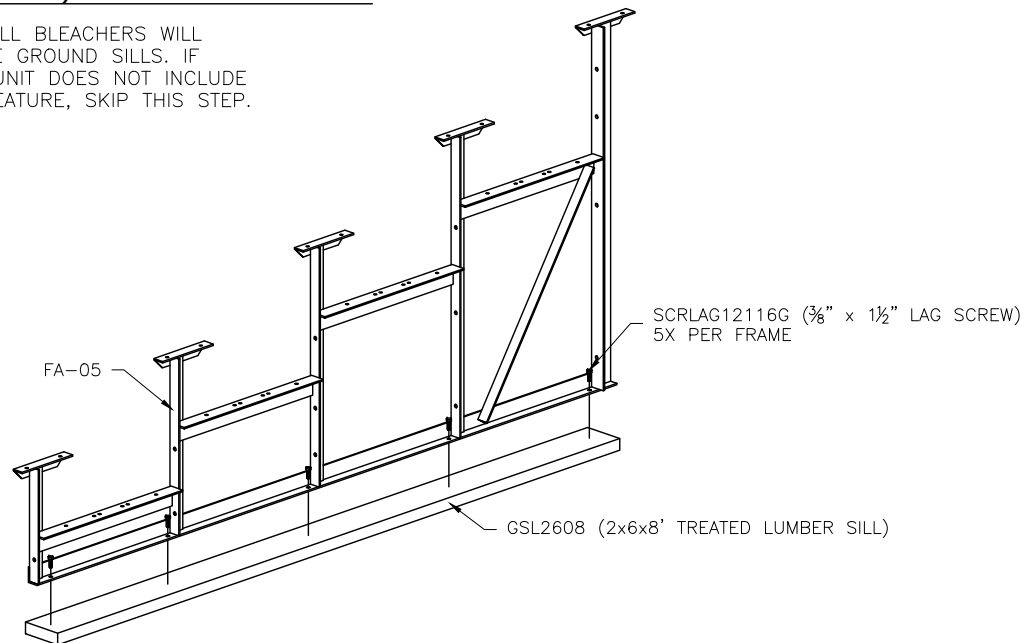
LOCATE FRAMES ON FOUNDATION



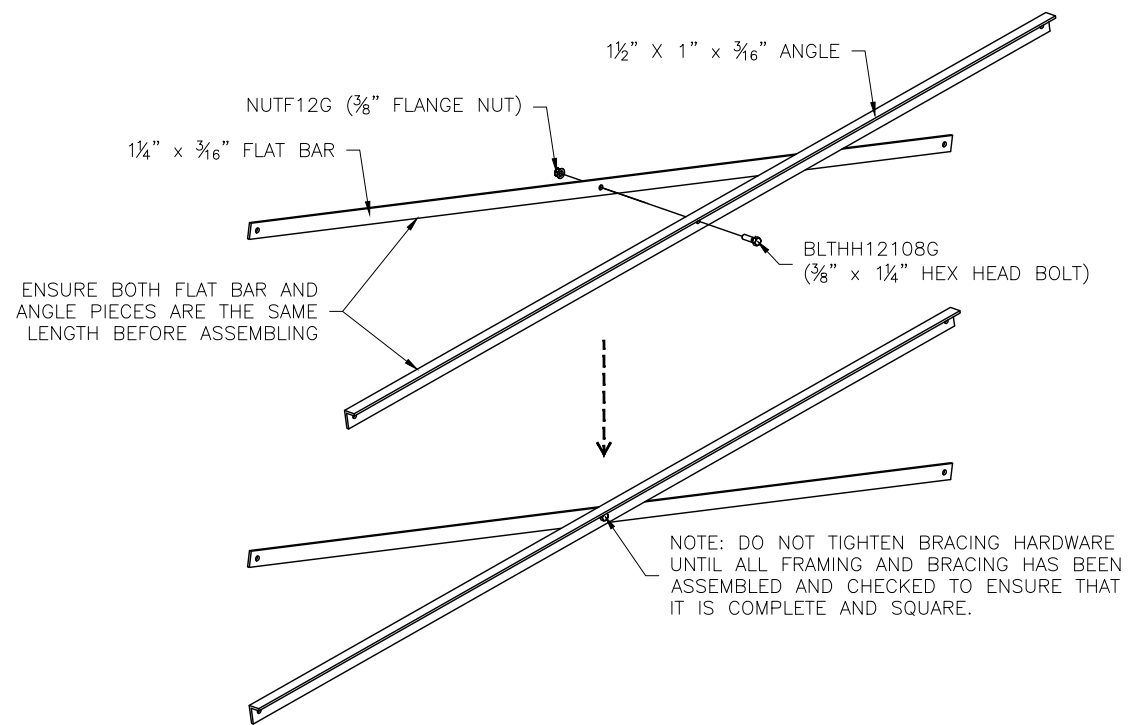
\* MINIMUM FOUNDATION AREA SHOWN. DEPENDING ON LOCAL SOIL CONDITIONS, BLEACHER CAN BE INSTALLED ON A CONCRETE PAD OR FOOTERS, OR ATTACHED TO 2x6 TREATED LUMBER GROUND SILLS AND PLACED ON COMPACTED STONE, ASPHALT, OR ANY OTHER SMOOTH, SOLID, LEVEL SURFACE. CONSULT YOUR LOCAL CONCRETE CONTRACTOR TO DETERMINE PROPER CONCRETE SPECIFICATIONS FOR YOUR LOCAL SOIL AND WEATHER-RELATED CONDITIONS. THE BEARING SURFACE MUST BE CAPABLE OF SUPPORTING A MINIMUM OF 660 POUNDS PER LINEAR FOOT. TO MEET LOCAL CODES, BLEACHERS WILL NEED TO BE ANCHORED. ANCHORING SYSTEMS FOR ALL SURFACE TYPES ARE AVAILABLE - CONTACT YOUR BLEACHER SALES REPRESENTATIVE FOR MORE INFORMATION.

**(OPTIONAL) ATTACH GROUND SILLS \***

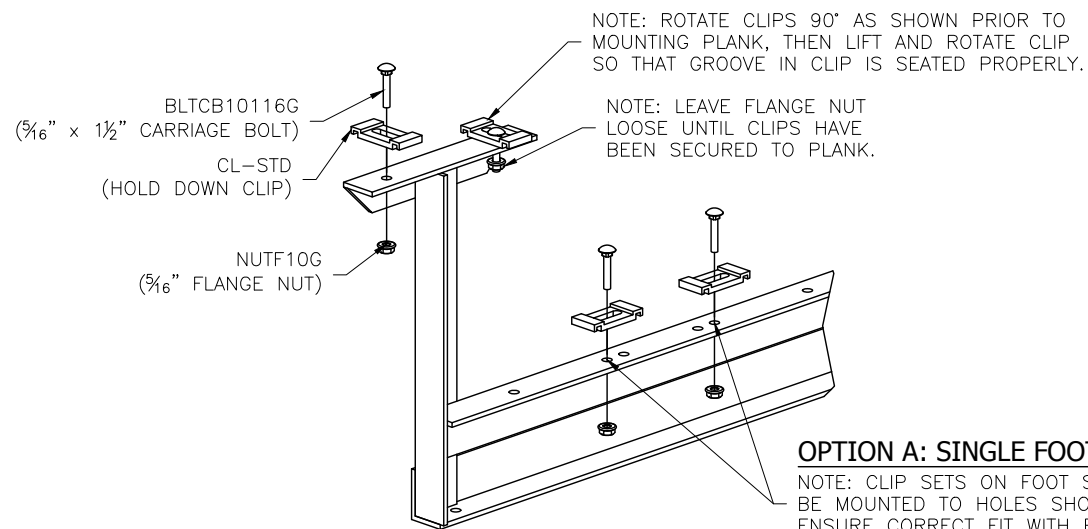
\*NOT ALL BLEACHERS WILL RECEIVE GROUND SILLS. IF YOUR UNIT DOES NOT INCLUDE THIS FEATURE, SKIP THIS STEP.



**PRE-ASSEMBLE X-BRACE PAIR(S)**

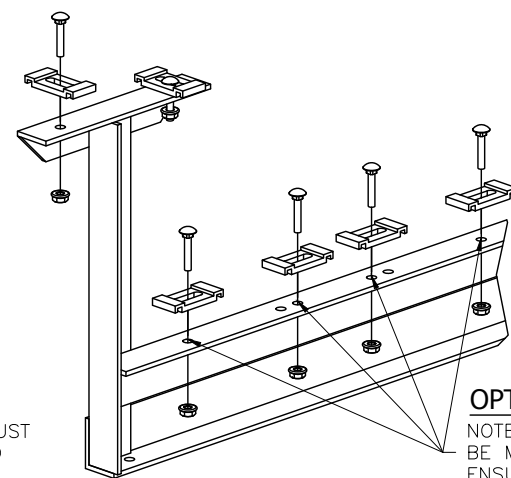


**ONCE FRAMING IS COMPLETE,  
PRE-ASSEMBLE CLIP SETS ON BLEACHER FRAMES**



**OPTION A: SINGLE FOOT BOARDS**

NOTE: CLIP SETS ON FOOT SUPPORTS MUST BE MOUNTED TO HOLES SHOWN HERE TO ENSURE CORRECT FIT WITH FOOT PLANK.



**OPTION B: DOUBLE FOOT BOARDS**

NOTE: CLIP SETS ON FOOT SUPPORTS MUST BE MOUNTED TO HOLES SHOWN HERE TO ENSURE CORRECT FIT WITH FOOT PLANK.



2810 Sydney Road  
Plant City, Florida 33566  
Phone: 813-305-1415  
Fax: 813-305-1419  
www.gtgrandstands.com



FRAMING & CLIP PRE-ASSEMBLY  
5 ROW BLEACHER  
WITH AISLE & HANDICAP SPACE

GS-052IADV-A-HC  
OPTIONAL -MS (MUD SILL)

DRAWN BY  
MME  
CHECKED BY

DATE  
01/10/2017  
SCALE

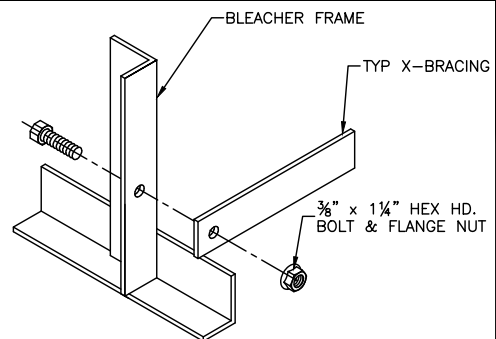
JOB NO.

GS-052IADV-A-HC

DWG NO.

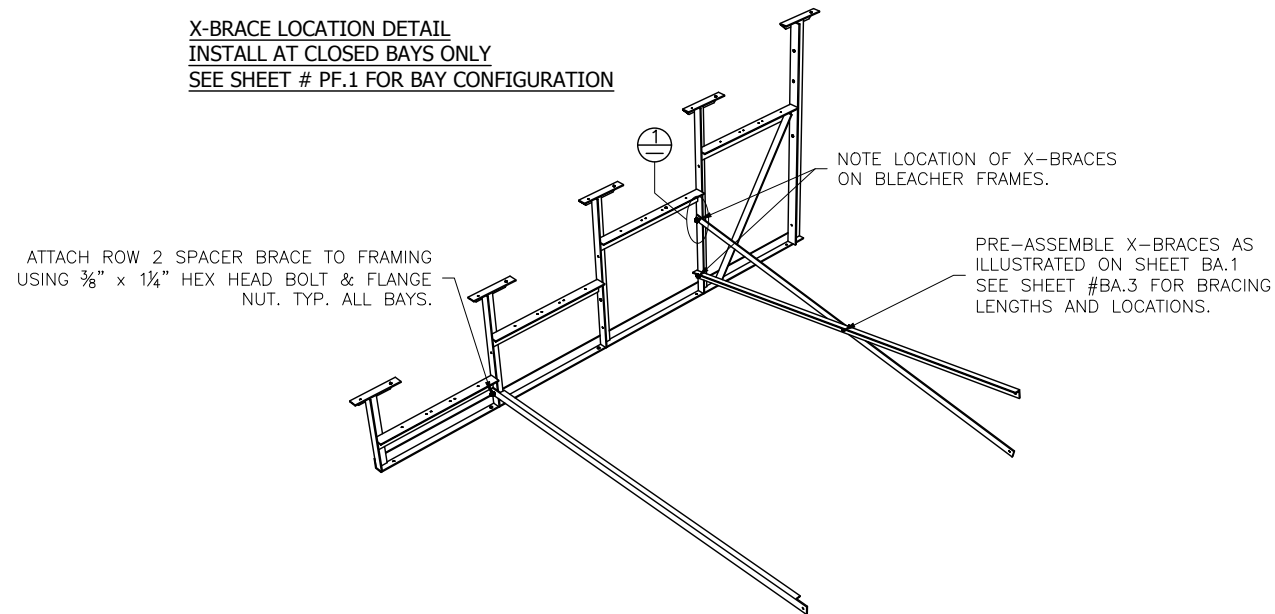
BA.1

⊕ TYP X-BRACE CONN. W/ 1 1/4" BOLT

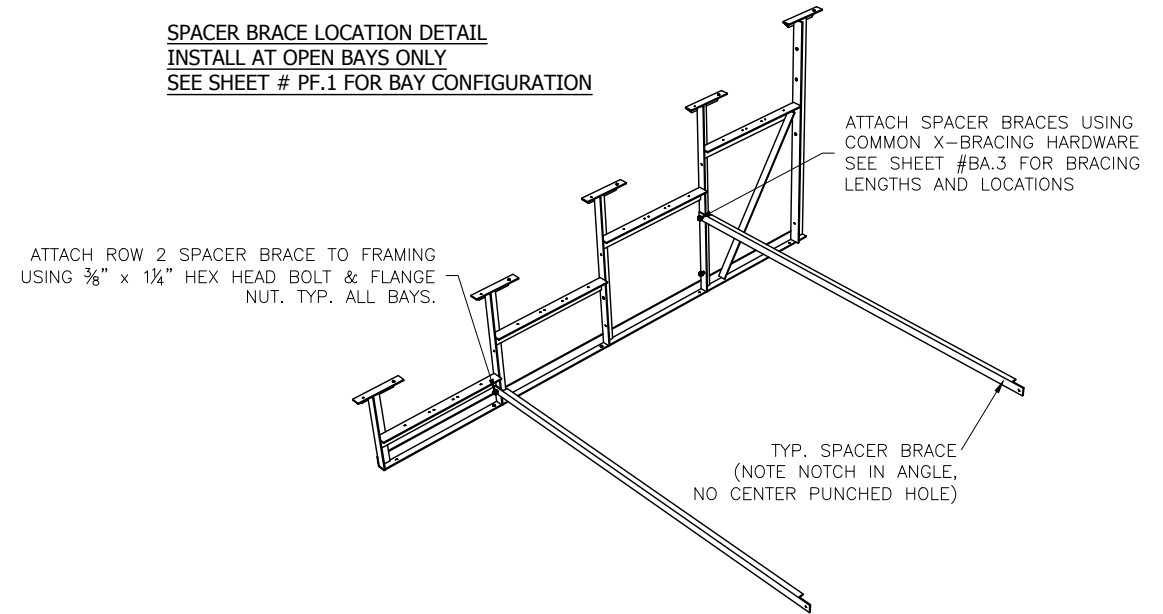


NOT TO SCALE

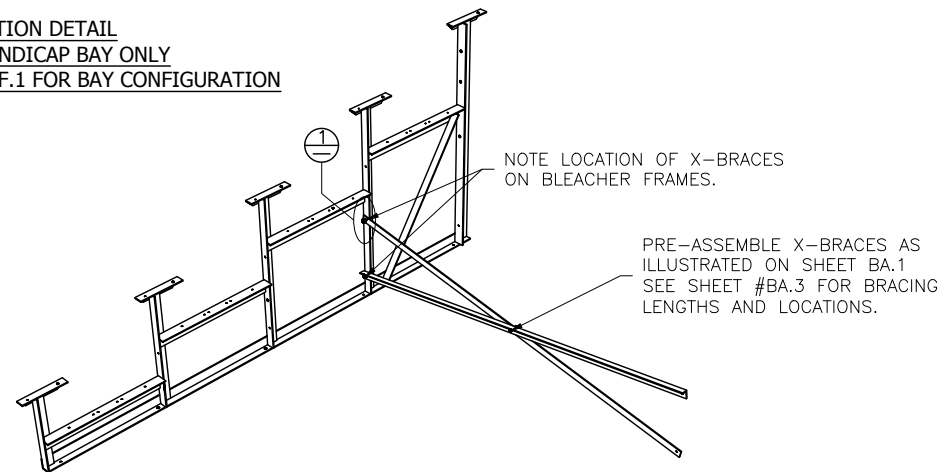
**X-BRACE LOCATION DETAIL**  
**INSTALL AT CLOSED BAYS ONLY**  
**SEE SHEET # PF.1 FOR BAY CONFIGURATION**



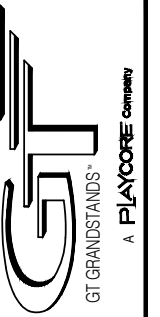
**SPACER BRACE LOCATION DETAIL**  
**INSTALL AT OPEN BAYS ONLY**  
**SEE SHEET # PF.1 FOR BAY CONFIGURATION**



**X-BRACE LOCATION DETAIL**  
**INSTALL AT HANDICAP BAY ONLY**  
**SEE SHEET # PF.1 FOR BAY CONFIGURATION**



2810 Sydney Road  
 Plant City, Florida 33566  
 Phone: 813-305-1415  
 Fax: 813-305-1419  
 www.gtgrandstands.com



**BRACING LOCATION PLAN**  
**5 ROW BLEACHER**  
**WITH AISLE & HANDICAP SPACE**

**GS-052IADV-A-HC**  
**OPTIONAL -MS (MUD SILL)**

DRAWN BY  
 MME  
 CHECKED BY

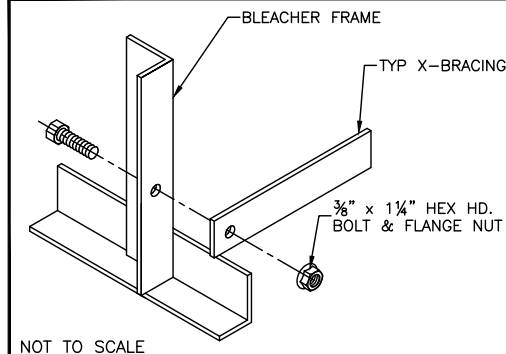
DATE  
 01/10/2017  
 SCALE

JOB NO.

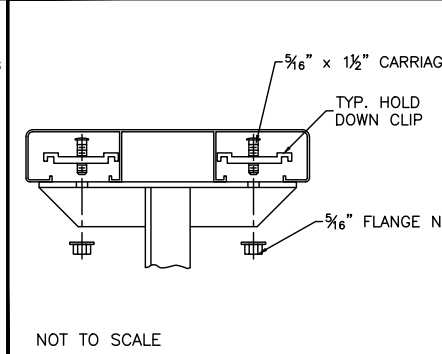
GS-052IADV-A-HC  
 DWG NO.

**BA.2**

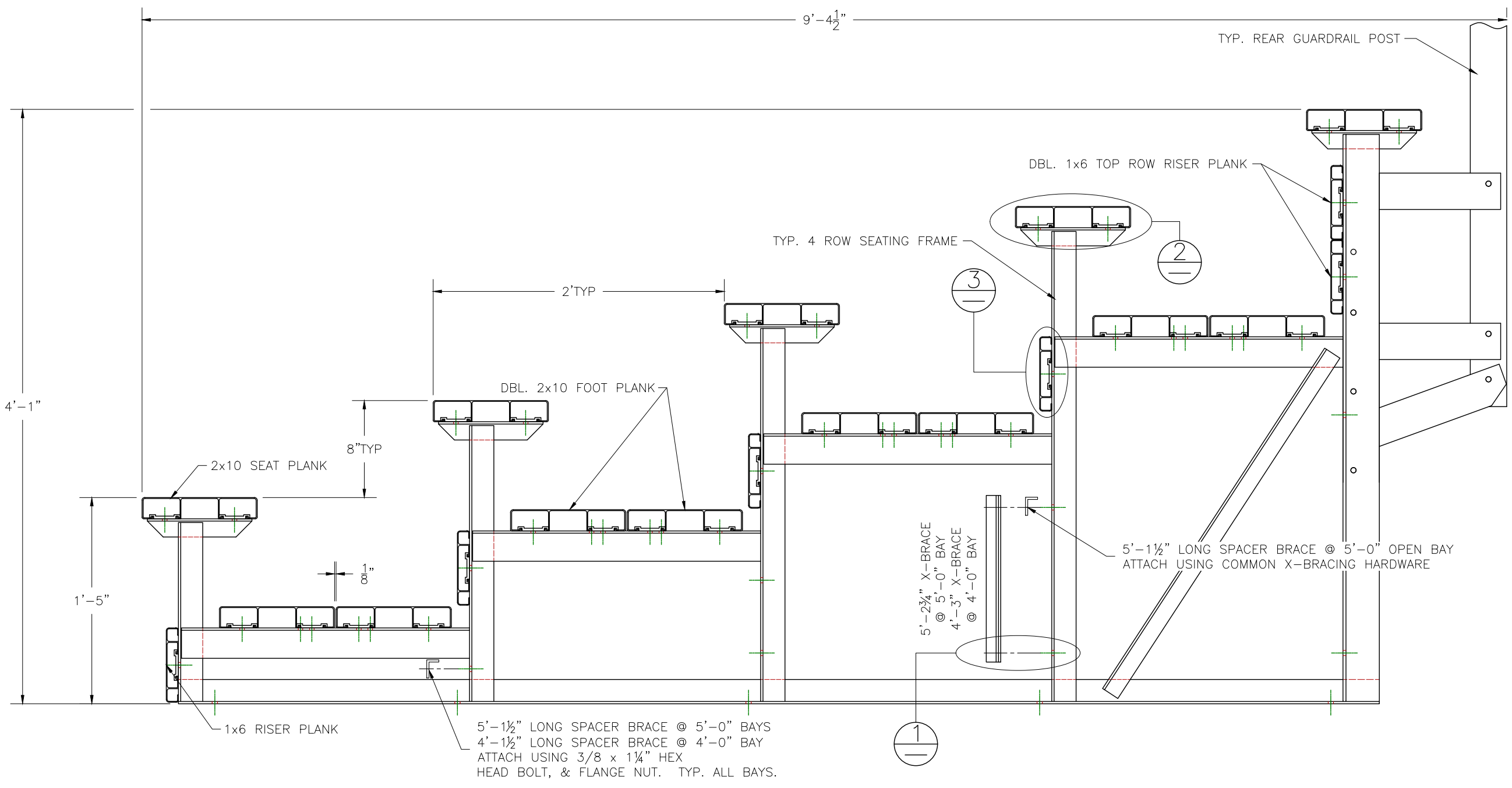
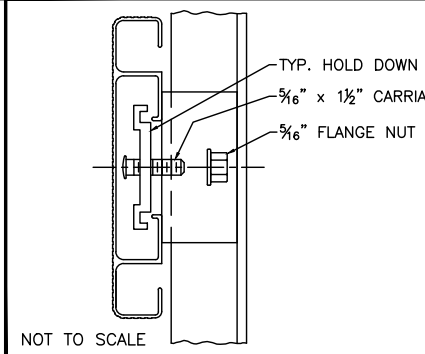
⊕ TYP X-BRACE CONN. W/ 1/4 BOLT



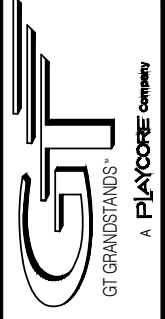
⊖ TYP 2x10 PLANK ATTACHMENT



⊖ TYP 1x6 PLANK ATTACHMENT



2810 Sydney Road  
Plant City, Florida 33566  
Phone: 813-305-1415  
Fax: 813-305-1419  
www.gtgrandstands.com

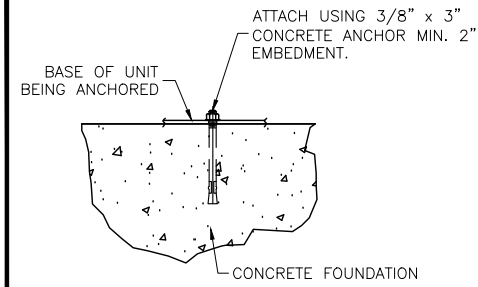


BLEACHER ASSEMBLY  
5 ROW BLEACHER  
WITH AISLE & HANDICAP SPACE

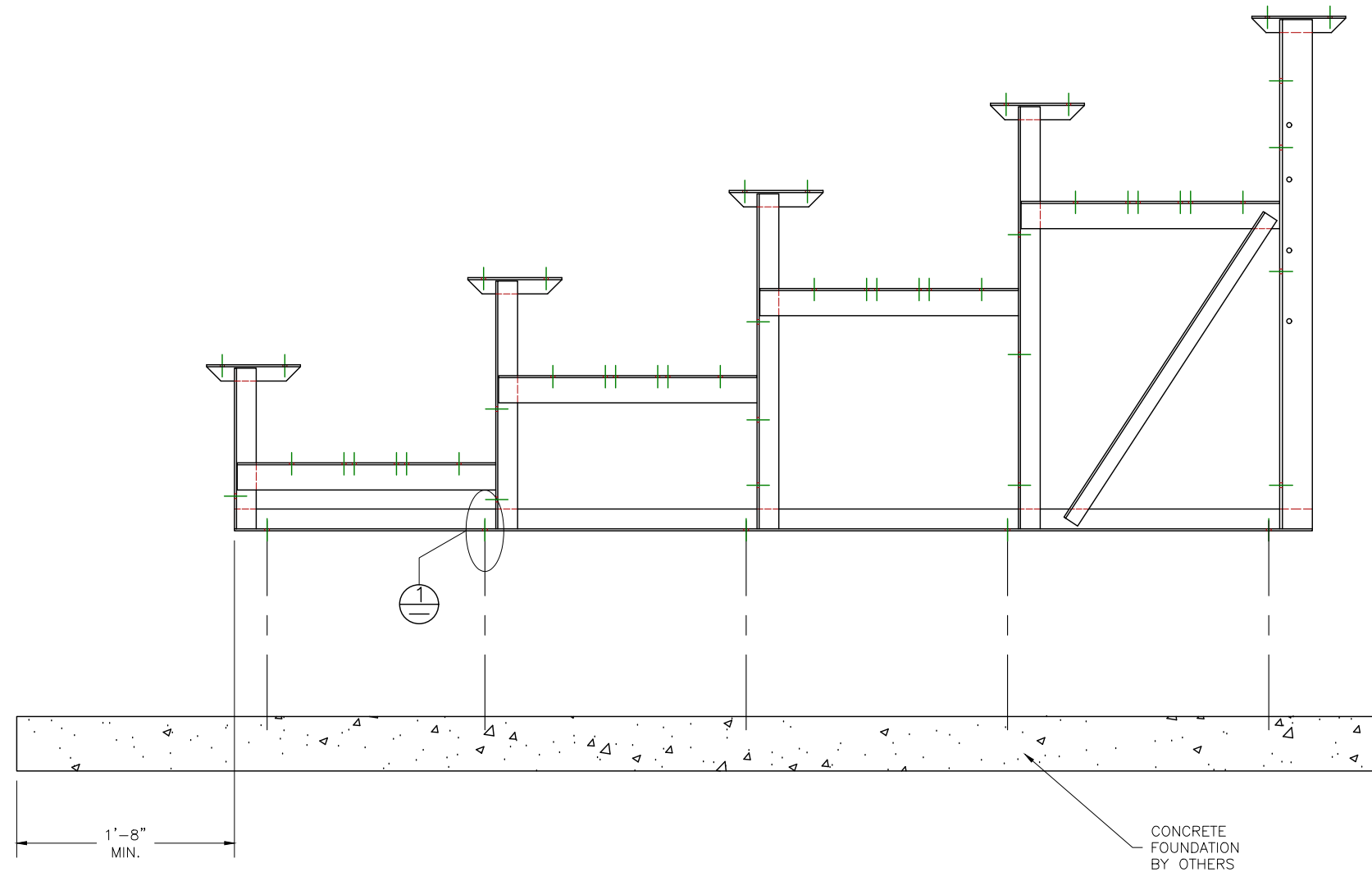
GS-052IADV-A-HC  
OPTIONAL -MS (MUD SILL)

DRAWN BY MME
CHECKED BY
DATE 01/10/2017
SCALE
JOB NO.
GS-052IADV-A-HC
DWG NO. BA.3

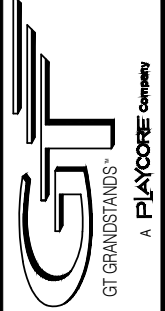
WEDGE ANCHOR DETAIL - 3"



(OPTIONAL) ANCHOR BLEACHER TO CONCRETE FOUNDATION \*



2810 Sydney Road  
Plant City, Florida 33566  
Phone: 813-305-1415  
Fax: 813-305-1419  
www.gtgrandstands.com



FOUNDATION PLAN  
5 ROW BLEACHER  
WITH AISLE & HANDICAP SPACE

GS-0521ADV-A-HC  
OPTIONAL -MS (MUD SILL)

DRAWN BY  
MME  
CHECKED BY  
DATE  
01/10/2017  
SCALE  
JOB NO.

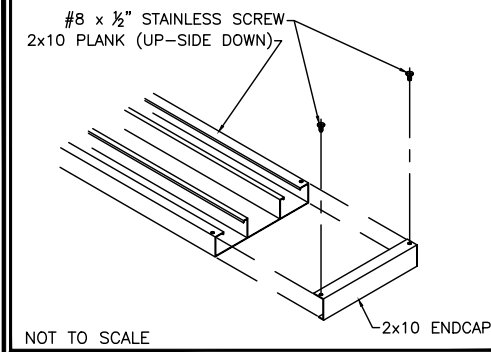
GS-0521ADV-A-HC  
DWG NO.

FP.1

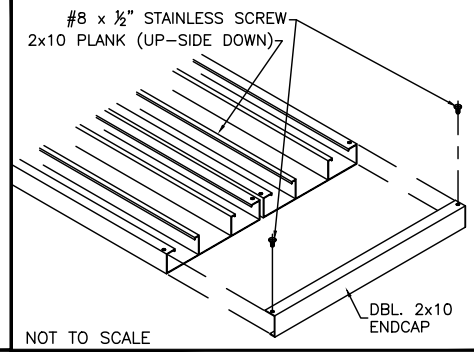
\* CONCRETE WEDGE ANCHORS NOT INCLUDED WITH ALL UNITS. IF USING OTHER ANCHORING SYSTEM, SKIP THIS STEP AND REFER TO INSTRUCTIONS SPECIFIC TO THE ANCHORING SYSTEM PURCHASED FOR YOUR UNIT. SEE PRINT FP.1 (INCLUDED IN THIS PACKET) FOR GENERAL CONCRETE FOUNDATION SPECIFICATIONS.



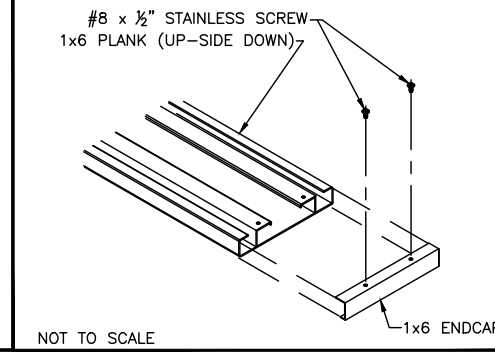
① TYP. 2x10 ENDCAP ATTACHMENT



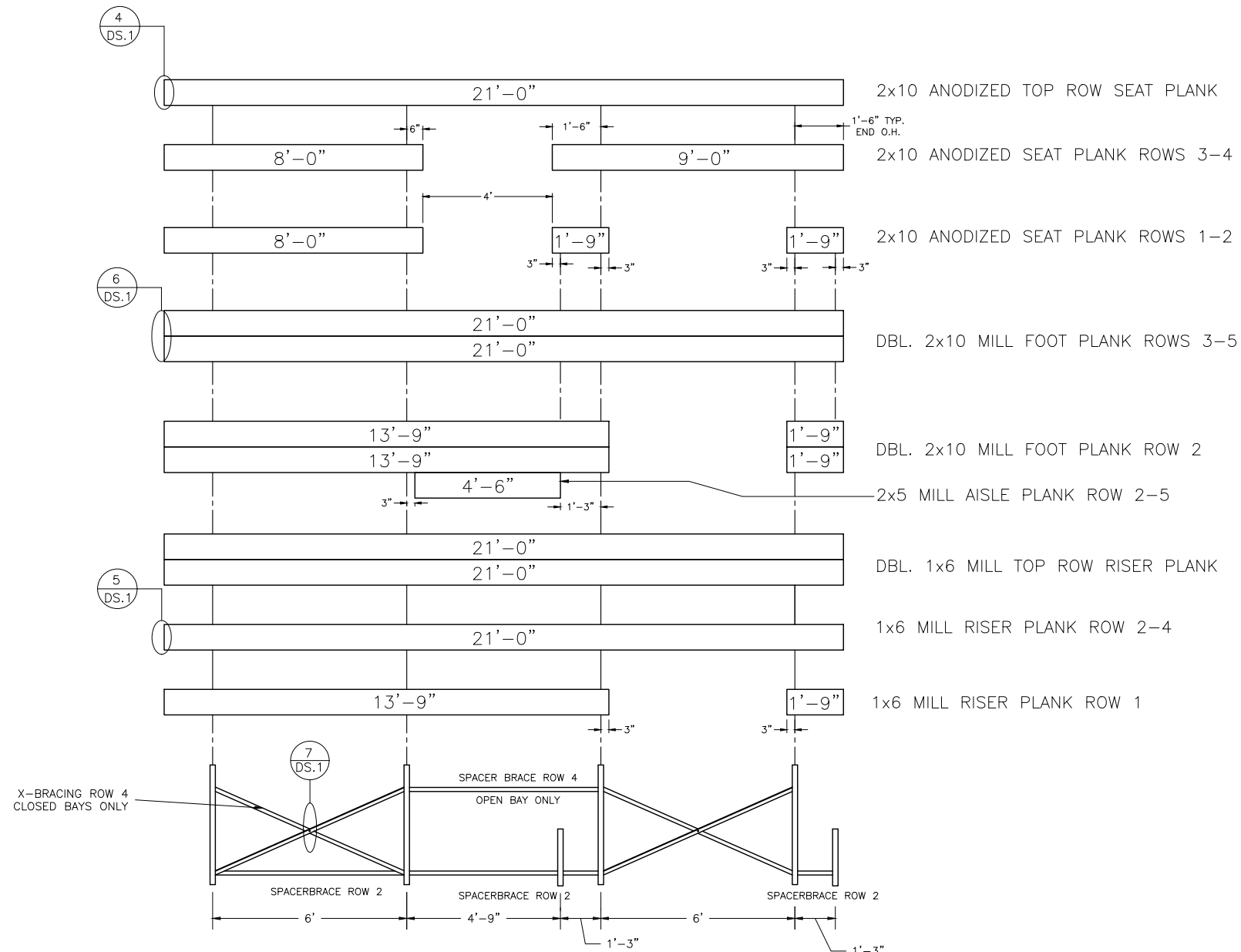
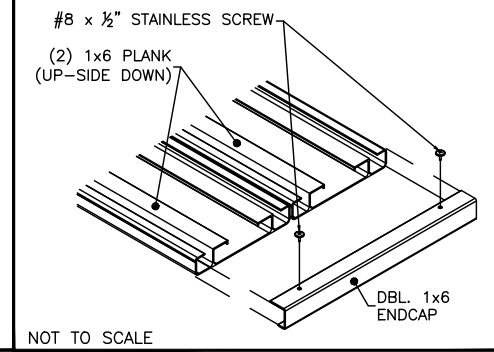
② DBL. 2x10 ENDCAP ATTACHMENT



③ TYP. 1x6 ENDCAP ATTACHMENT



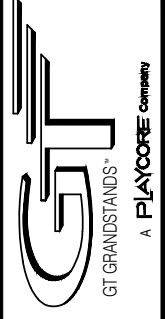
④ DBL. 1x6 ENDCAP ATTACHMENT



**FRAMING PLAN**



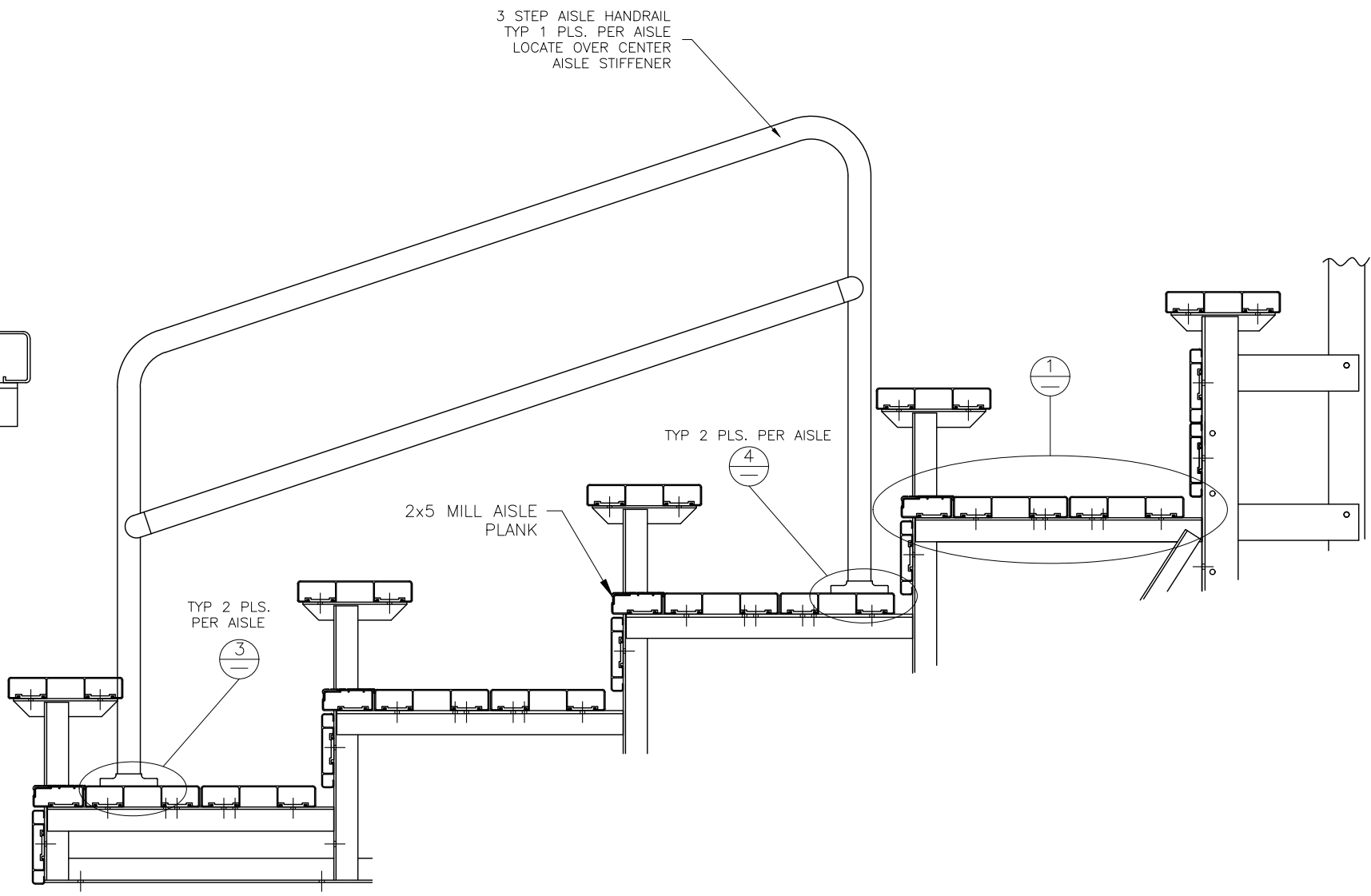
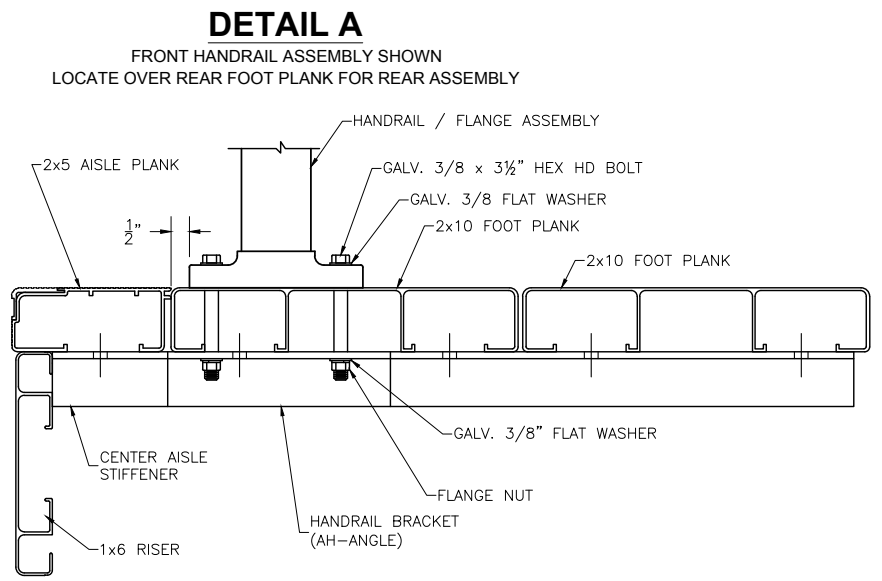
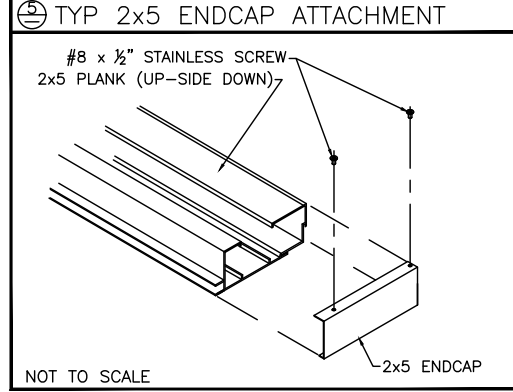
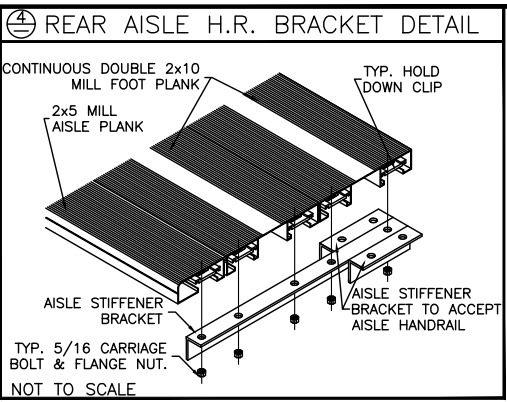
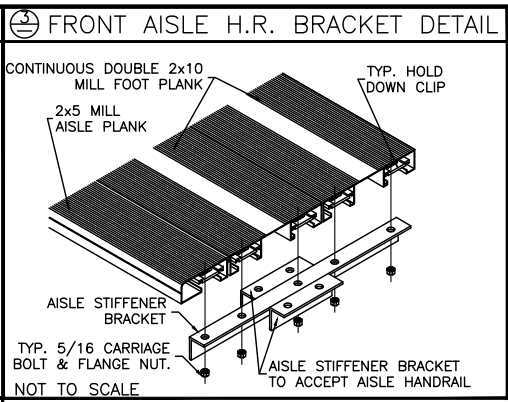
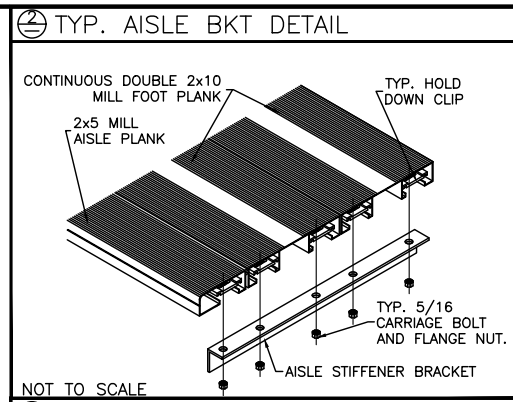
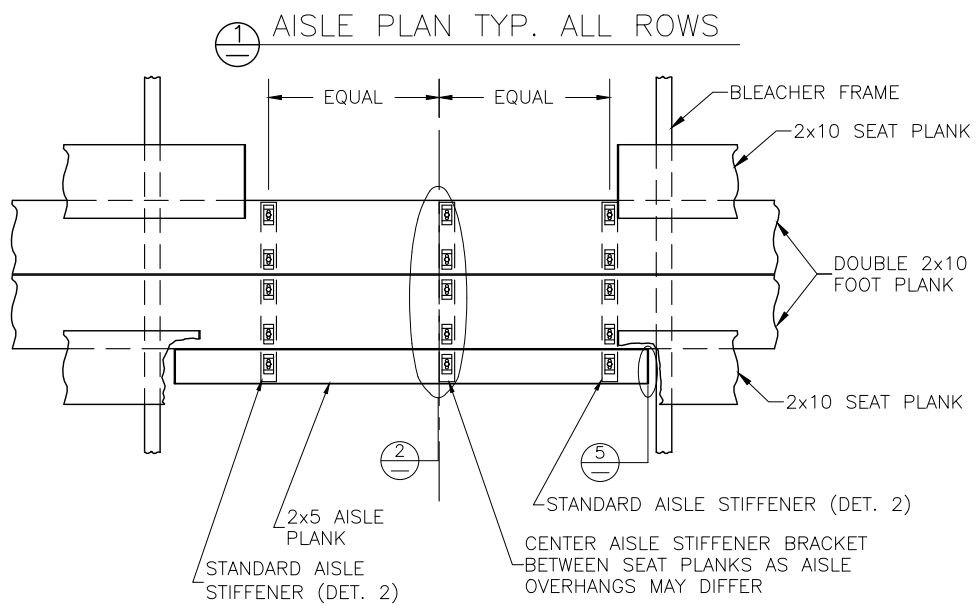
2810 Sydney Road  
Plant City, Florida 33566  
Phone: 813-305-1415  
Fax: 813-305-1419  
www.gtgrandstands.com



PLANK & FRAMING PLAN  
5 ROW BLEACHER  
WITH AISLE & HANDICAP SPACE

GS-052IADV-A-HC  
OPTIONAL -MS (MUD SILL)

DRAWN BY	MME
CHECKED BY	TLC
DATE	01/10/2017
SCALE	
JOB NO.	GS-052IADV-A-HC
DWG NO.	PF.1



2810 Sydney Road  
Plant City, Florida 33566  
Phone: 813-305-1415  
Fax: 813-305-1419  
www.ggrandstands.com

GT GRANDSTANDS  
A PLAYCORE Company

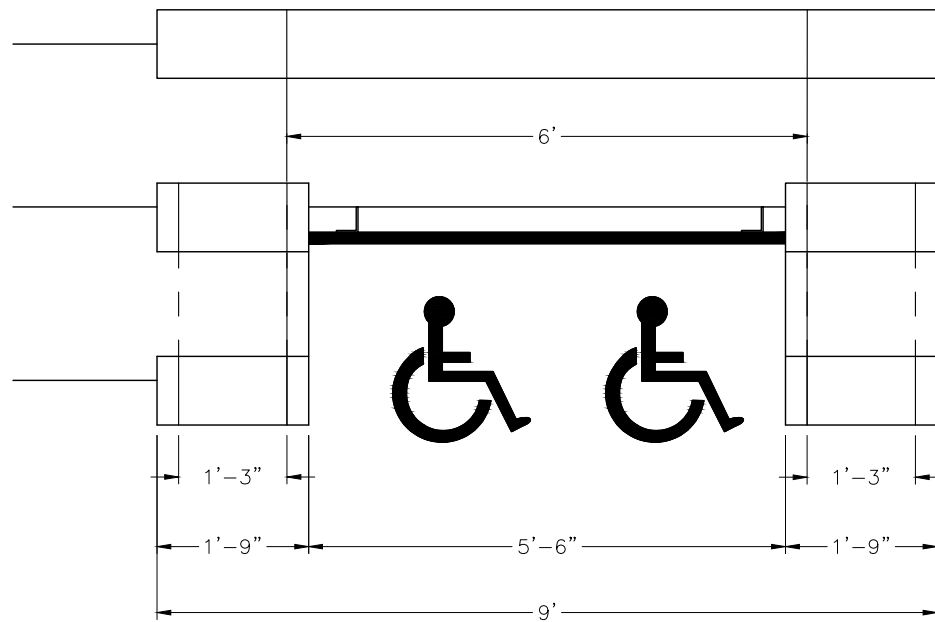
VERTICAL AISLE ASSEMBLY  
5 ROW BLEACHER  
WITH AISLE & HANDICAP SPACE

GS-052IADV-A-HC  
OPTIONAL -MS (MUD SILL)

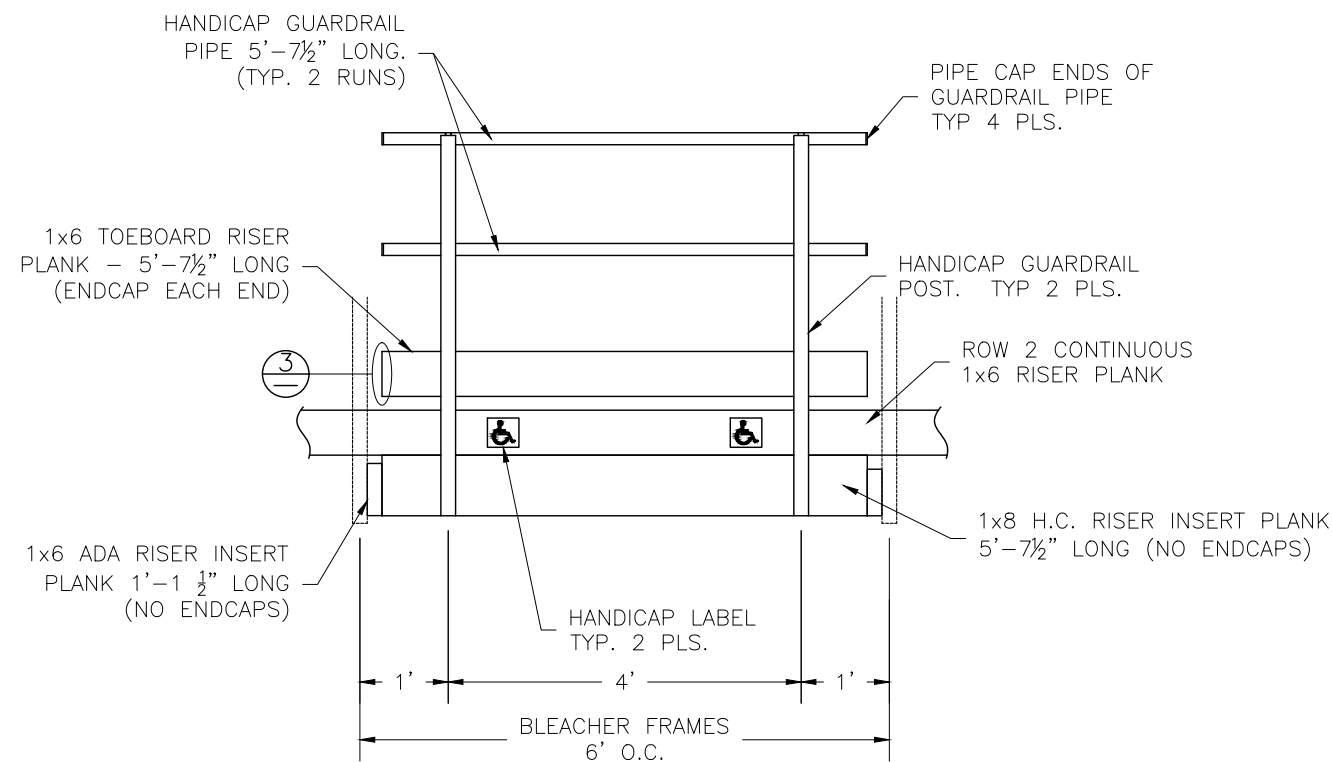
DRAWN BY  
MME  
CHECKED BY

DATE  
01/10/2017  
SCALE

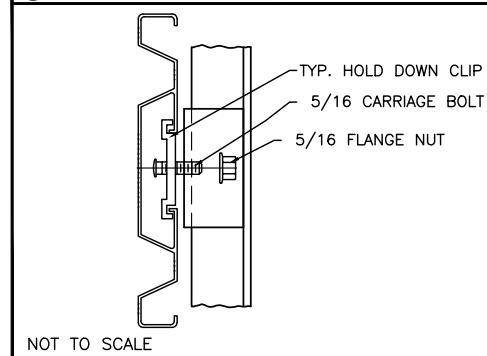
JOB NO.  
GS-052IADV-A-HC  
DWG NO.  
VA.1



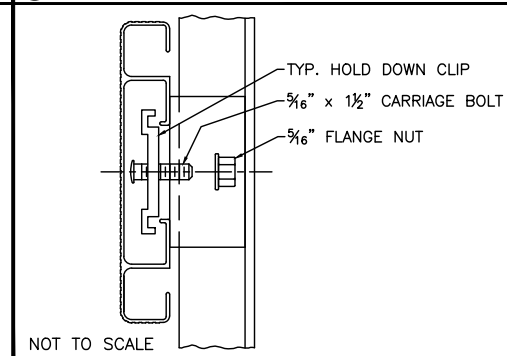
**FRONT VIEW**



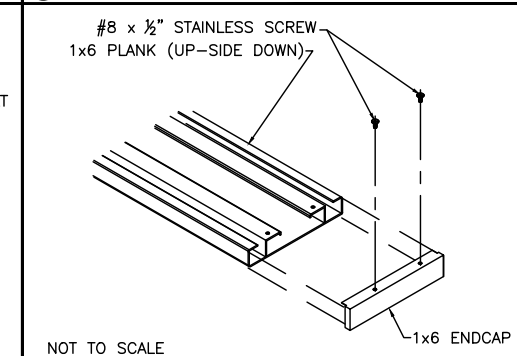
① TYP 1x8 PLANK ATTACHMENT



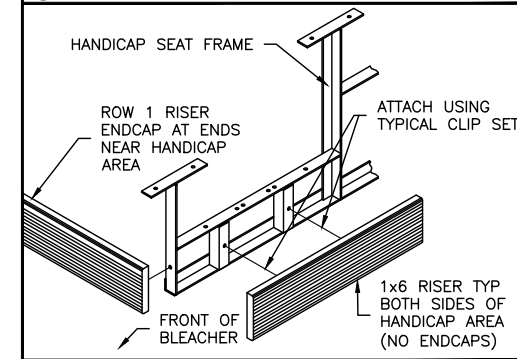
② TYP 1x6 PLANK ATTACHMENT



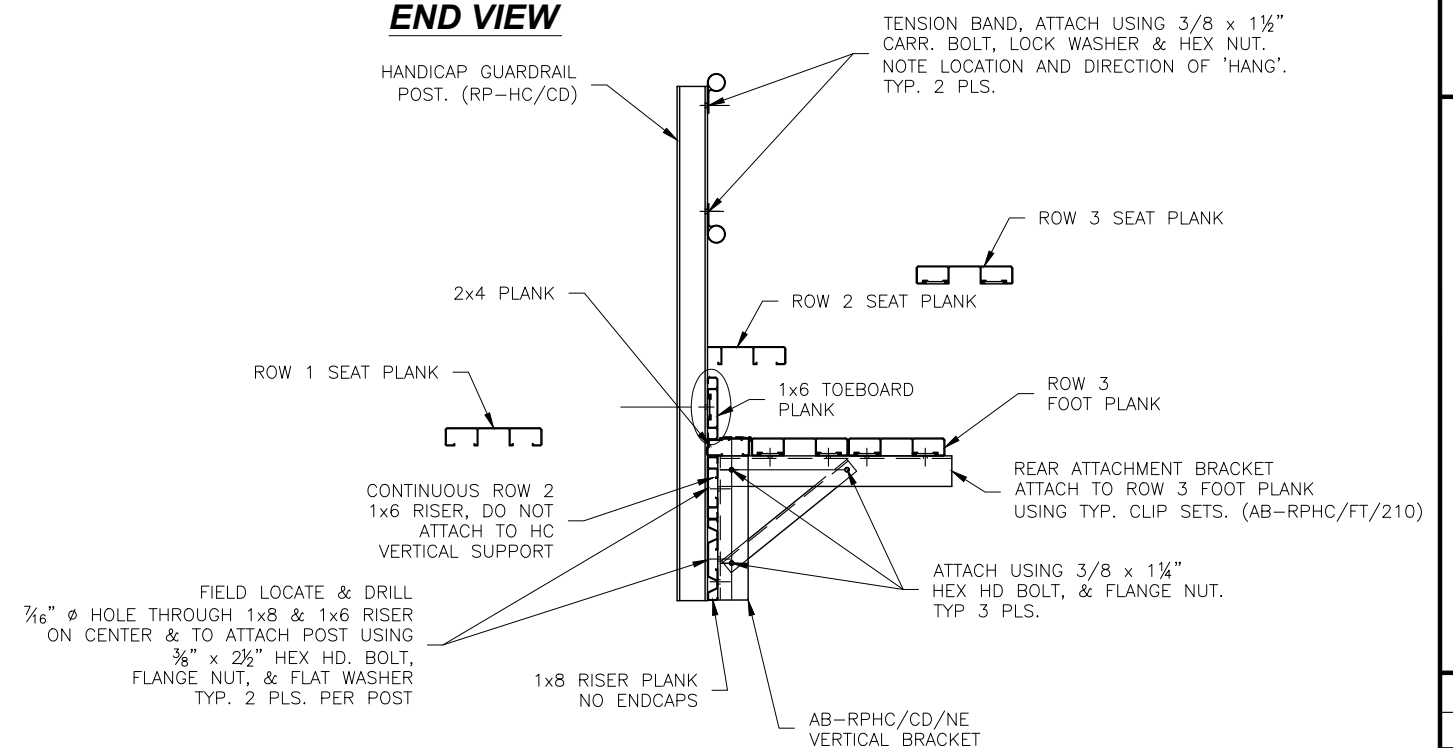
③ TYP 1x6 ENDCAP ATTACHMENT



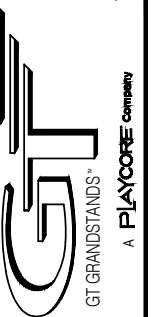
④ HC SIDE TOEBOARD ATTACHMENT



**END VIEW**



2810 Sydney Road  
Plant City, Florida 33566  
Phone: 813-305-1415  
Fax: 813-305-1419  
www.gtgrandstands.com

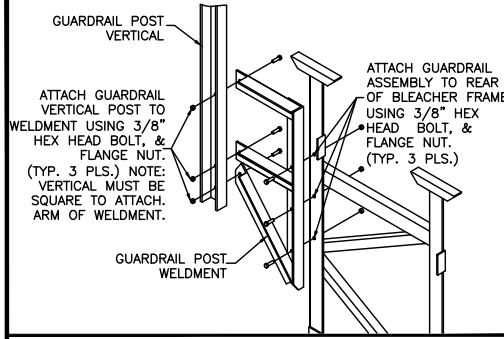


VERTICAL AISLE ASSEMBLY  
5 ROW BLEACHER  
WITH AISLE & HANDICAP SPACE

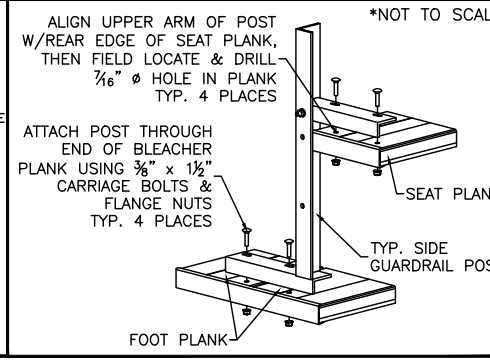
GS-052IADV-A-HC  
OPTIONAL -MS (MUD SILL)

DRAWN BY  
MME  
CHECKED BY  
DATE  
01/10/2017  
SCALE  
JOB NO.  
GS-052IADV-A-HC  
DWG NO.

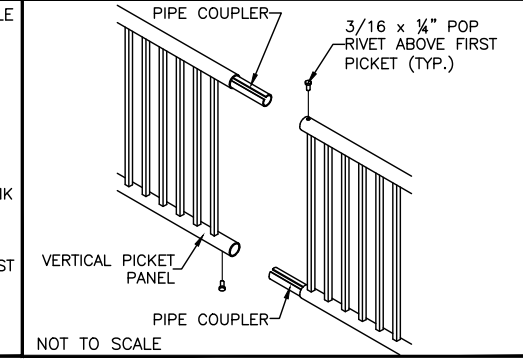
1 REAR GUARDRAIL POST ATTACH.



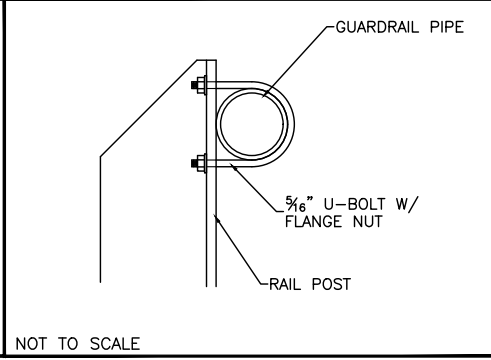
2 SIDE GD. RAIL POST INSTALLATION



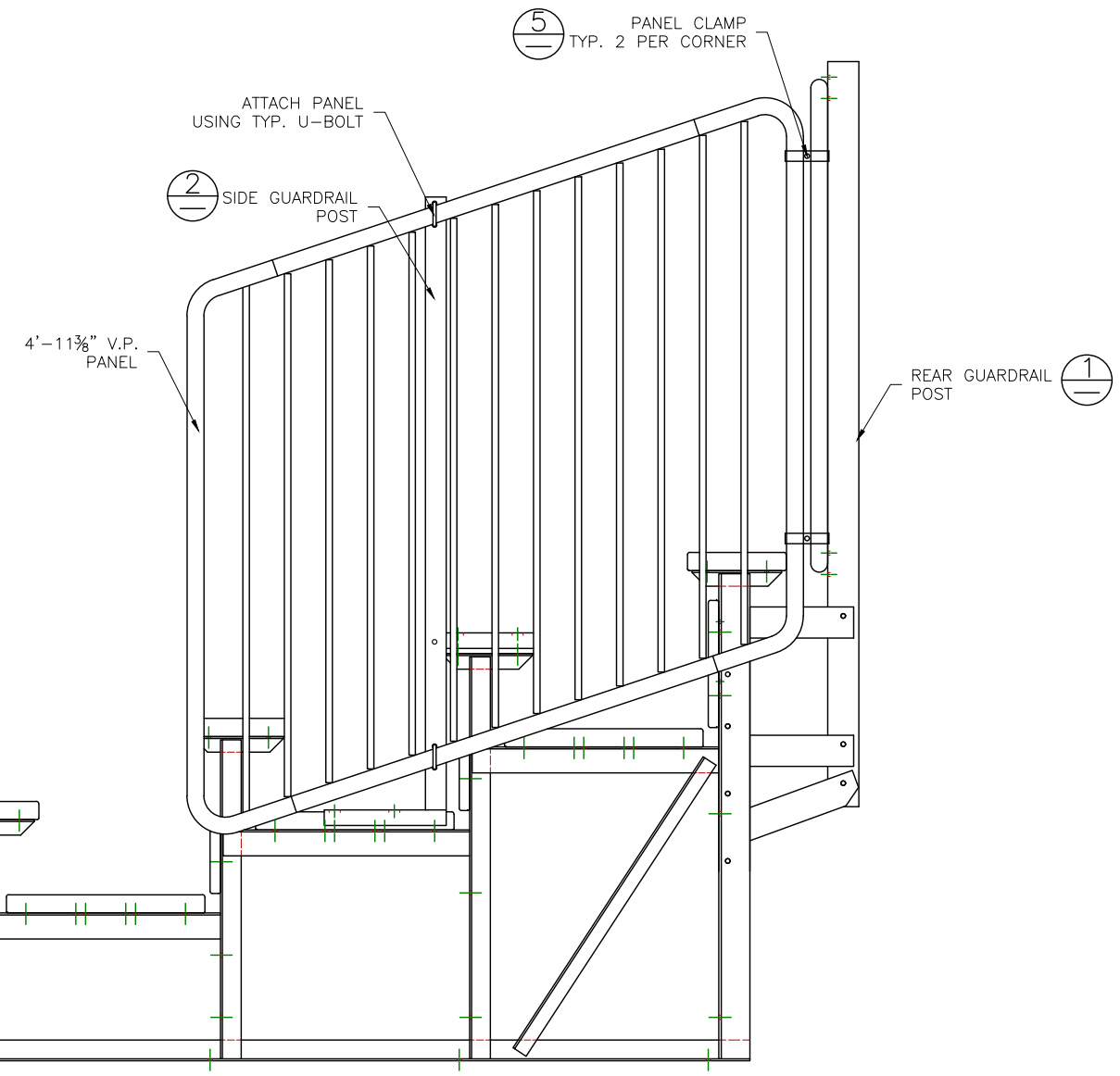
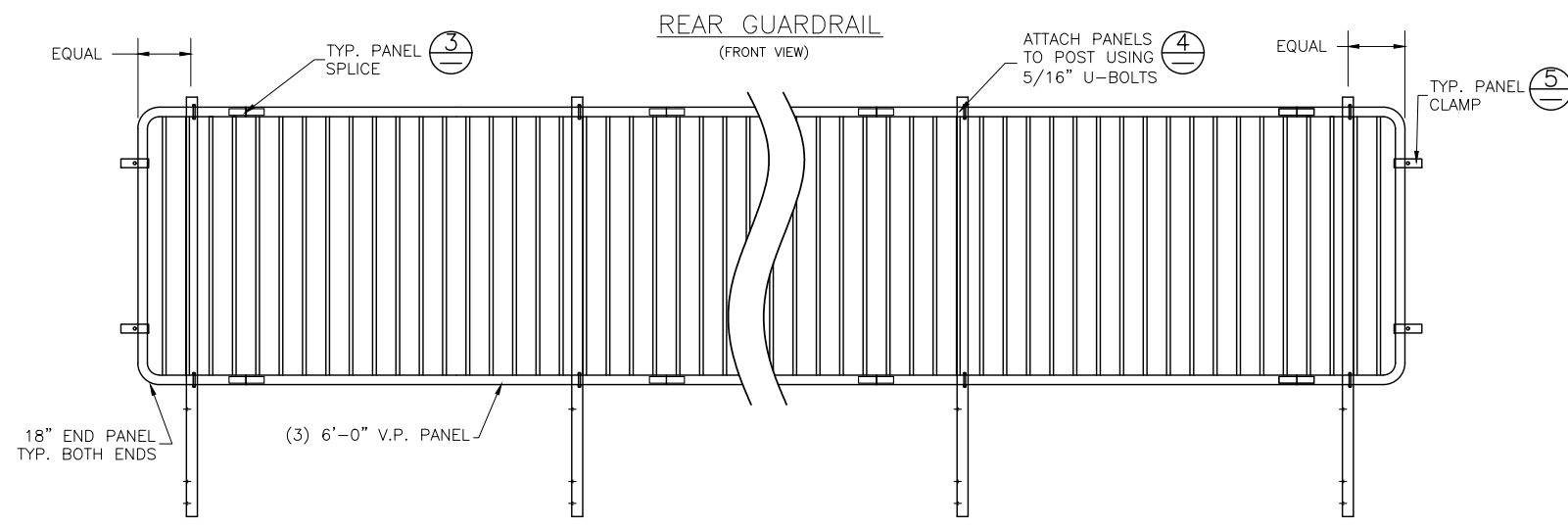
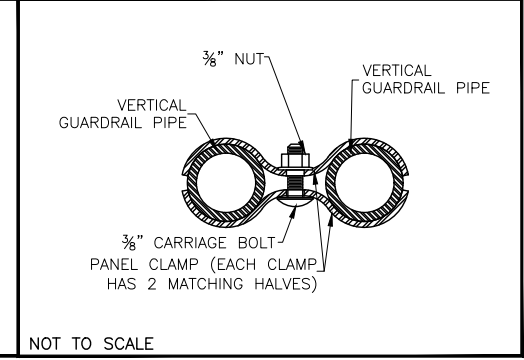
3 PANEL SPLICE DETAIL



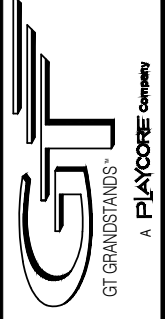
4 U-BOLT DETAIL



5 PANEL CLAMP DETAIL



2810 Sydney Road  
Plant City, Florida 33566  
Phone: 813-305-1415  
Fax: 813-305-1419  
www.gtgrandstands.com



GUARDRAIL ASSEMBLY  
5 ROW BLEACHER  
WITH AISLE & HANDICAP SPACE

GS-052IADV-A-HC  
OPTIONAL -MS (MUD SILL)

DRAWN BY  
MME  
CHECKED BY  
DATE  
01/10/2017  
SCALE  
JOB NO.  
GS-052IADV-A-HC  
DWG NO.

GR.1