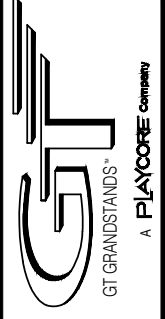


# ALUMINUM 4 ROW x 33'-0" - STANDARD SERIES

MODEL  
**GS-0433ADC-A**



2810 Sydney Road  
Plant City, Florida 33566  
Phone: 813-305-1415  
Fax: 813-305-1419  
www.gtgrandstands.com



COVER SHEET  
4 ROW BLEACHER  
WITH AISLE

GS-0433ADC-A  
OPTIONAL MUD SILLS (-MS)

- CS.1 - COVER SHEET
- SP.1 - SEATING PLAN
- FP.1 - FOUNDATION PLAN
- AP.1 - ANCHORING PLAN
- BA.1 - BLEACHER ASSEMBLY
- PF.1 - PLANK & FRAMING PLAN
- BR.1 - BRACE ASSEMBLY
- VA.1 - VERTICAL AISLE ASSEMBLY
- GR.1 - GUARDRAIL ASSEMBLY
- GR.2 - GUARDRAIL ASSEMBLY
- DS.1 - DETAIL SHEET

DRAWN BY MME
CHECKED BY
DATE 12/20/2016
SCALE
JOB NO.
GS-0433ADC-A
DWG NO. CS.1



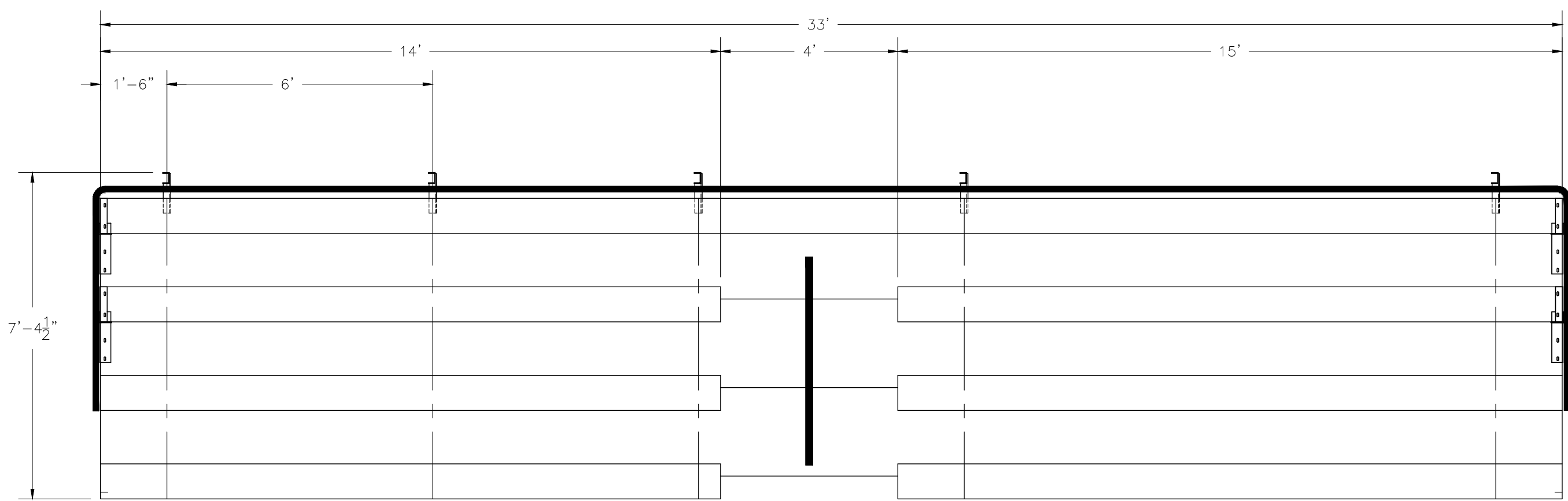
2810 Sydney Road  
Plant City, Florida 33566  
Phone: 813-305-1415  
Fax: 813-305-1419  
www.gtgrandstands.com



SEATING PLAN  
4 ROW BLEACHER  
WITH AISLE

GS-0433ADC-A  
OPTIONAL MUD SILLS (-MS)

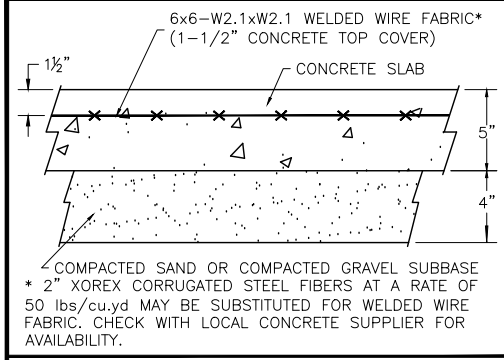
DRAWN BY  
MME  
CHECKED BY  
DATE  
12/20/2016  
SCALE  
JOB NO.  
GS-0433ADC-A  
DWG NO.  
SP.1



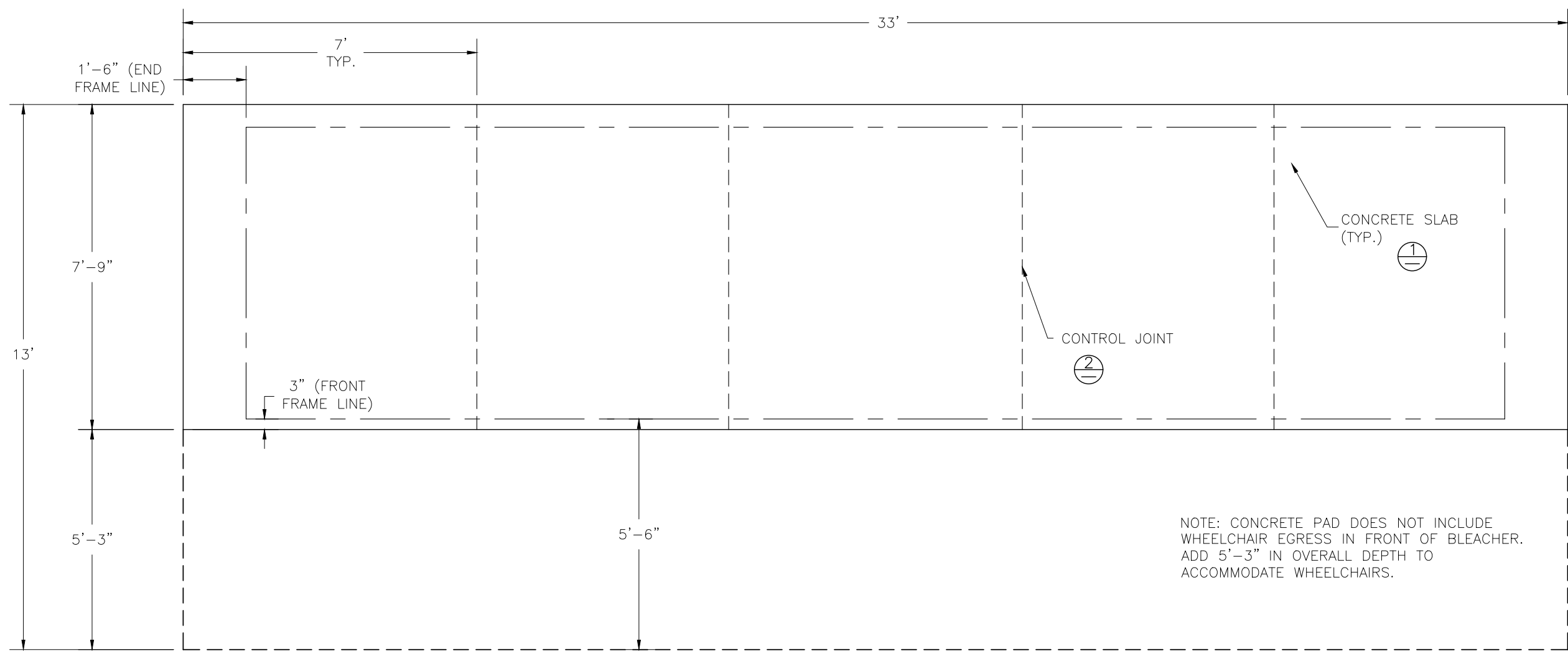
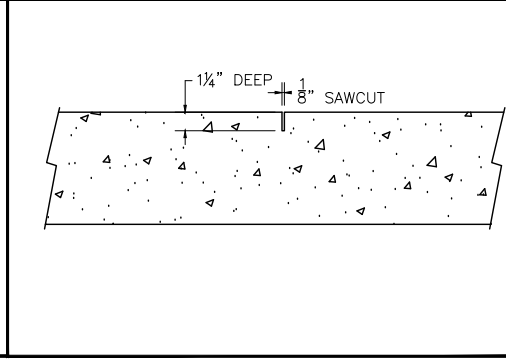
SECTION LENGTH	GROSS SEATS	ACTUAL SEATS	NO. OF ROWS	NET SEATS
33	22.00	22.00	1	22
14	9.33	9.00	3	27
15	10.00	10.00	3	30
<b>NET SEATS</b>				<b>79</b>
<b>WHEELCHAIR SPACES</b>				<b>0</b>
<b>TOTAL NET SEATING CAPACITY</b>				<b>79</b>
<i>(BASED ON 18" PER SEAT)</i>				

LOCAL CODES AND SPECIFICATIONS WILL VARY FROM REGION TO REGION AND WILL ALSO CHANGE OVER TIME. IT IS THE BUYER'S RESPONSIBILITY TO CHECK LOCAL CODES FOR COMPLIANCE.

① CONCRETE SLAB SECTION



② CONTROL JOINT DETAIL

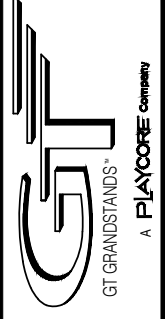


NOTE: CONCRETE PAD DOES NOT INCLUDE WHEELCHAIR EGRESS IN FRONT OF BLEACHER. ADD 5'-3" IN OVERALL DEPTH TO ACCOMMODATE WHEELCHAIRS.

\* MINIMUM FOUNDATION AREA SHOWN. DEPENDING ON LOCAL SOIL CONDITIONS, BLEACHER CAN BE INSTALLED ON A CONCRETE PAD OR FOOTERS, OR ATTACHED TO 2x6 TREATED LUMBER GROUND SILLS AND PLACED ON COMPACTED STONE, ASPHALT, OR ANY OTHER SMOOTH, SOLID, LEVEL SURFACE. CONSULT YOUR LOCAL CONCRETE CONTRACTOR TO DETERMINE PROPER CONCRETE SPECIFICATIONS FOR YOUR LOCAL SOIL AND WEATHER-RELATED CONDITIONS. THE BEARING SURFACE MUST BE CAPABLE OF SUPPORTING A MINIMUM OF 660 POUNDS PER LINEAR FOOT. TO MEET LOCAL CODES, BLEACHERS WILL NEED TO BE ANCHORED. ANCHORING SYSTEMS FOR ALL SURFACE TYPES ARE AVAILABLE - CONTACT YOUR BLEACHER SALES REPRESENTATIVE FOR MORE INFORMATION.



2810 Sydney Road  
Plant City, Florida 33566  
Phone: 813-305-1415  
Fax: 813-305-1419  
www.gtgrandstands.com

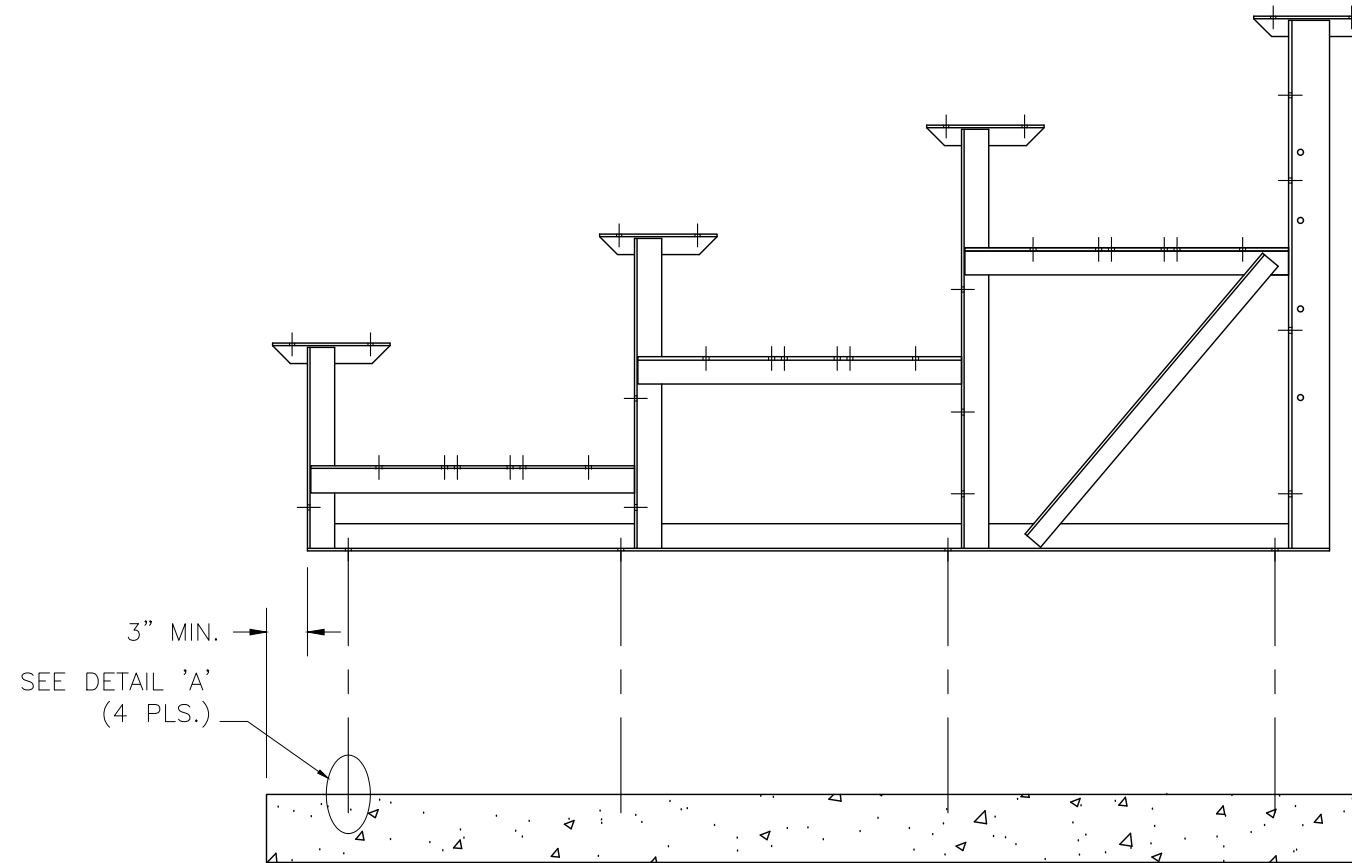
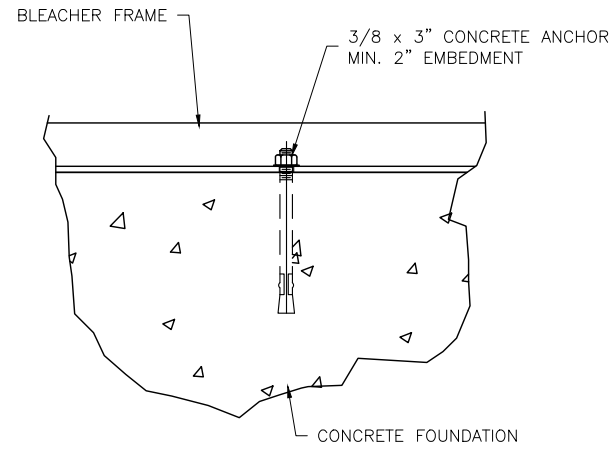


FOUNDATION PLAN  
4 ROW BLEACHER  
WITH AISLE

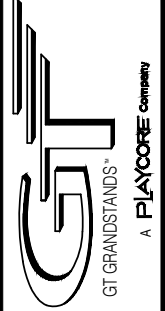
GS-0433ADC-A  
OPTIONAL MUD SILLS (-MS)

DRAWN BY MME
CHECKED BY
DATE 12/20/2016
SCALE
JOB NO. GS-0433ADC-A
DWG NO. FP.1

**DETAIL "A" - CONC. ANCHOR ATTACHMENT**



2810 Sydney Road  
Plant City, Florida 33566  
Phone: 813-305-1415  
Fax: 813-305-1419  
www.gtgrandstands.com



ANCHORING PLAN  
4 ROW BLEACHER  
WITH AISLE

GS-0433ADC-A  
OPTIONAL MUD SILLS (-MS)

DRAWN BY  
MME  
CHECKED BY

DATE  
12/20/2016  
SCALE

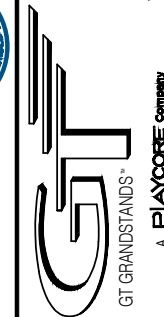
JOB NO.  
GS-0433ADC-A

DWG NO.

AP.1



2810 Sydney Road  
 Plant City, Florida 33566  
 Phone: 813-305-1415  
 Fax: 813-305-1419  
 www.gtgrandstands.com

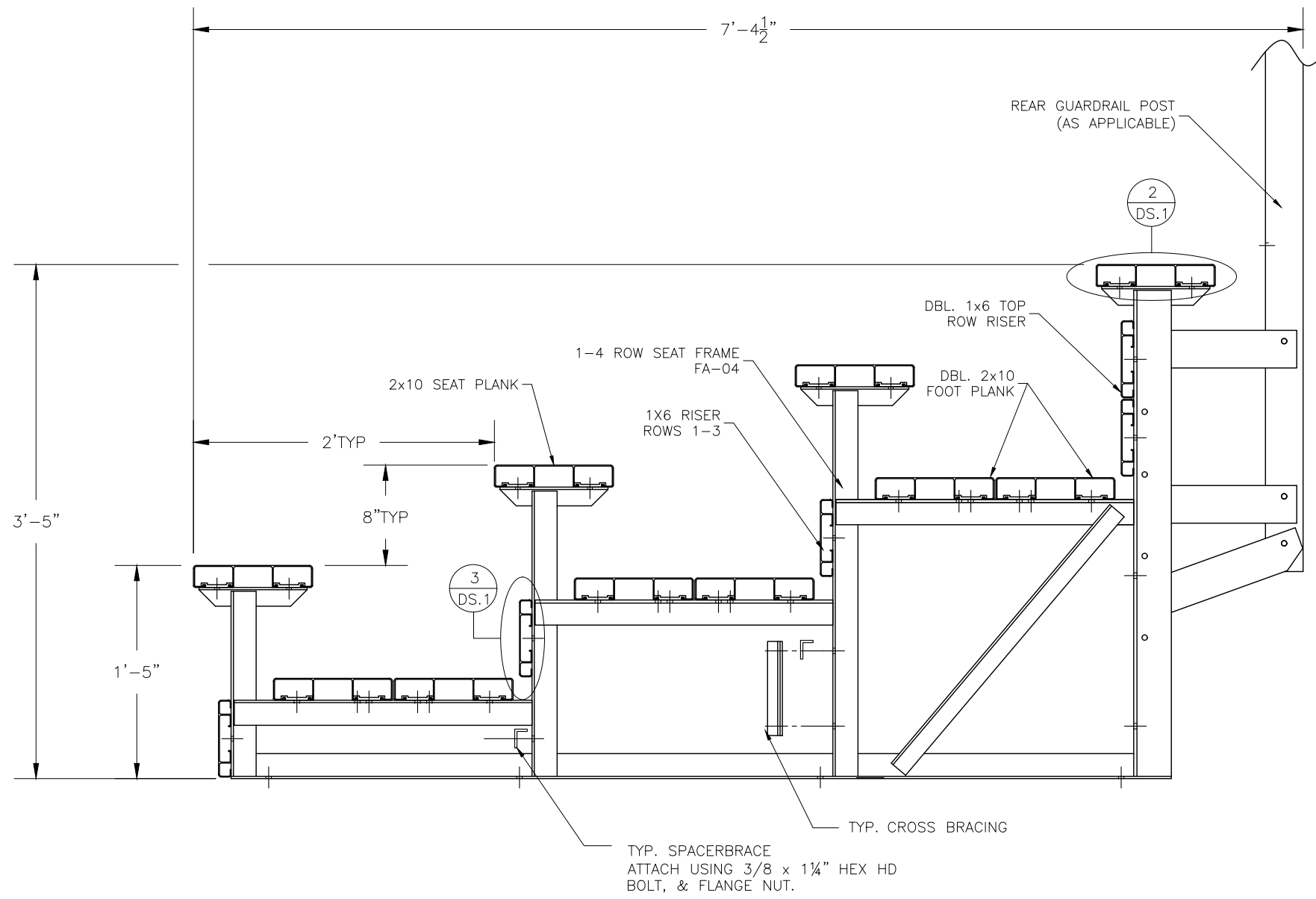


BLEACHER ASSEMBLY  
 4 ROW BLEACHER  
 WITH AISLE

GS-0433ADC-A  
 OPTIONAL MUD SILLS (-MS)

DRAWN BY  
 MME  
 CHECKED BY  
 DATE  
 12/20/2016  
 SCALE  
 JOB NO.  
 GS-0433ADC-A

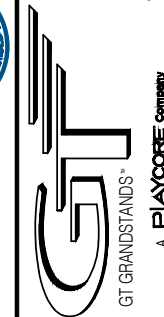
DWG NO.  
 BA.1



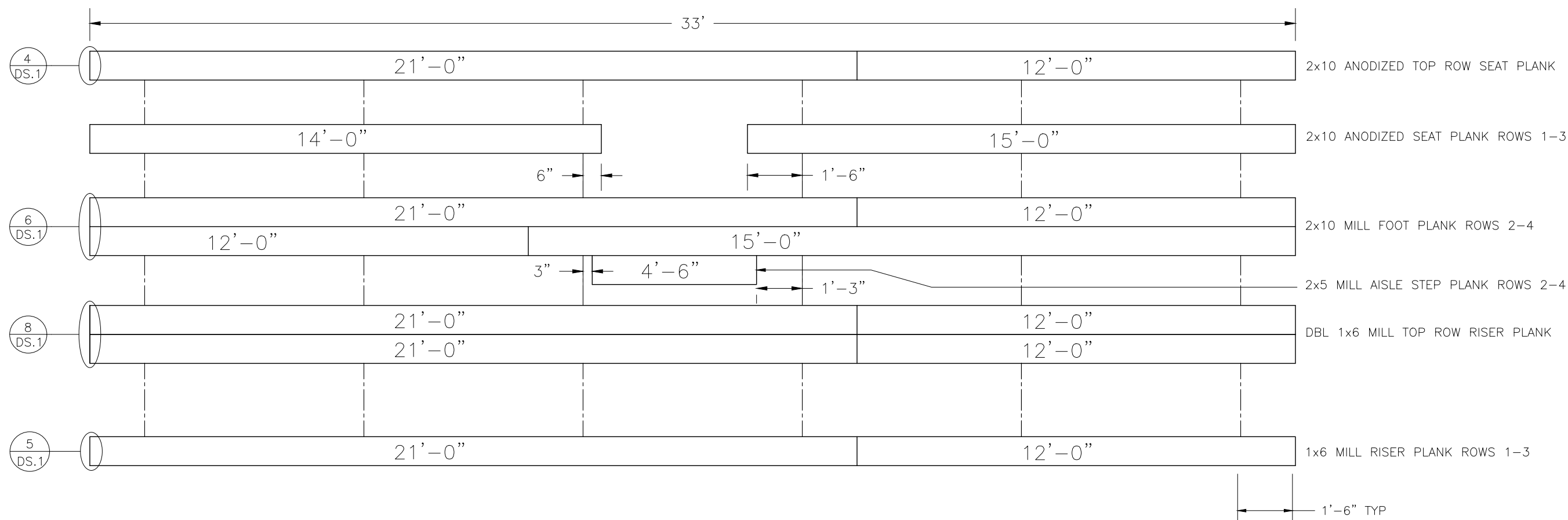
\*\*\*NOTES  
 REFER TO PAGE DS.1 FOR DEPICTED DETAILS  
 REFER TO PAGE BR.1 FOR BRACING LOCATION AND SIZE



2810 Sydney Road  
 Plant City, Florida 33566  
 Phone: 813-305-1415  
 Fax: 813-305-1419  
 www.gtgrandstands.com



## PLANK PLAN



ANCHORING PLAN  
 4 ROW BLEACHER  
 WITH AISLE

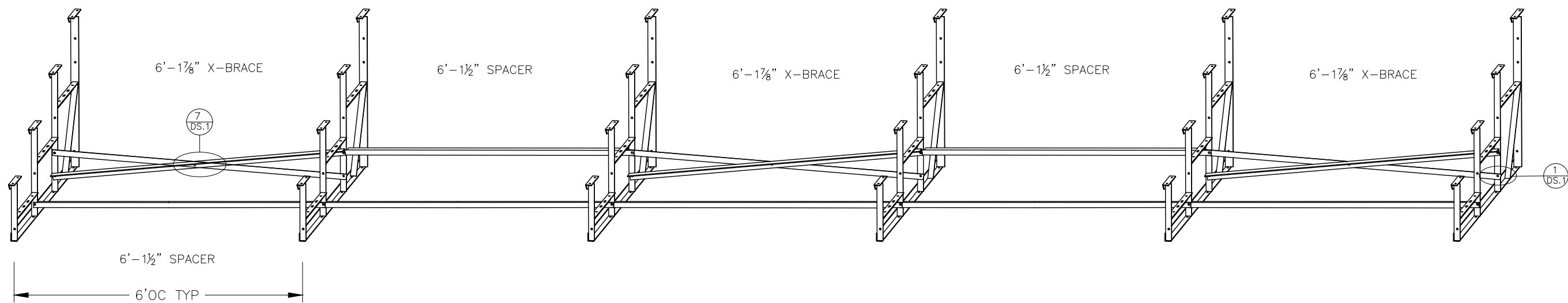
GS-0433ADC-A  
 OPTIONAL MUD SILLS (-MS)

DRAWN BY  
 MME  
 CHECKED BY  
 DATE  
 12/20/2016  
 SCALE  
 JOB NO.  
 GS-0433ADC-A

DWG NO.  
 AP.1

\*\*\*NOTE  
 REFER TO PAGE DS.1 FOR DEPICTED DETAILS

PRE-ASSEMBLE X-BRACE SETS. EACH SET CONSIST OF ONE FLAT BAR AND ONE ANGLE. ONCE ASSEMBLED, THEY WILL BECOME AN "X". THEY BOLT TOGETHER WITH A  $\frac{3}{8}$ " X  $1\frac{1}{4}$ " HEX HEAD BOLT AND FLANGE NUT THRU THE CENTER HOLE. (SEE DETAIL 7 ON DETAIL SHEET).



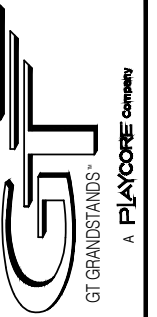
\*\*\*NOTES

REFER TO PAGE DS.1 FOR DEPICTED DETAILS

DETAIL IS TO DEPICT CROSS BRACING ATTACHMENT ONLY. FRAME DESIGN MAY VARY.



2810 Sydney Road  
Plant City, Florida 33566  
Phone: 813-305-1415  
Fax: 813-305-1419  
www.gtgrandstands.com



BRACING LOCATION PLAN  
4 ROW BLEACHER  
WITH AISLE

GS-0433ADC-A  
OPTIONAL MUD SILLS (-MS)

DRAWN BY  
MME  
CHECKED BY

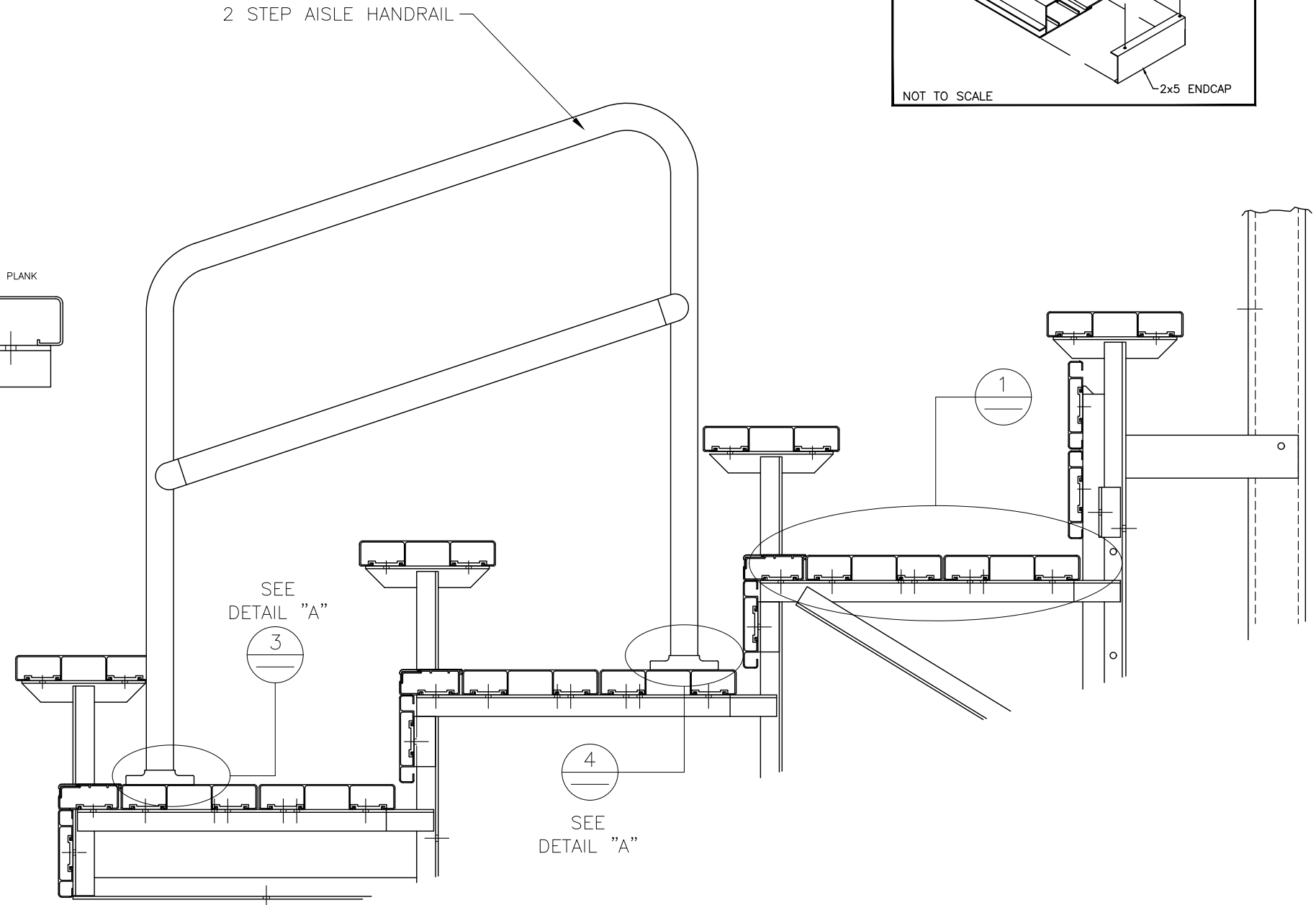
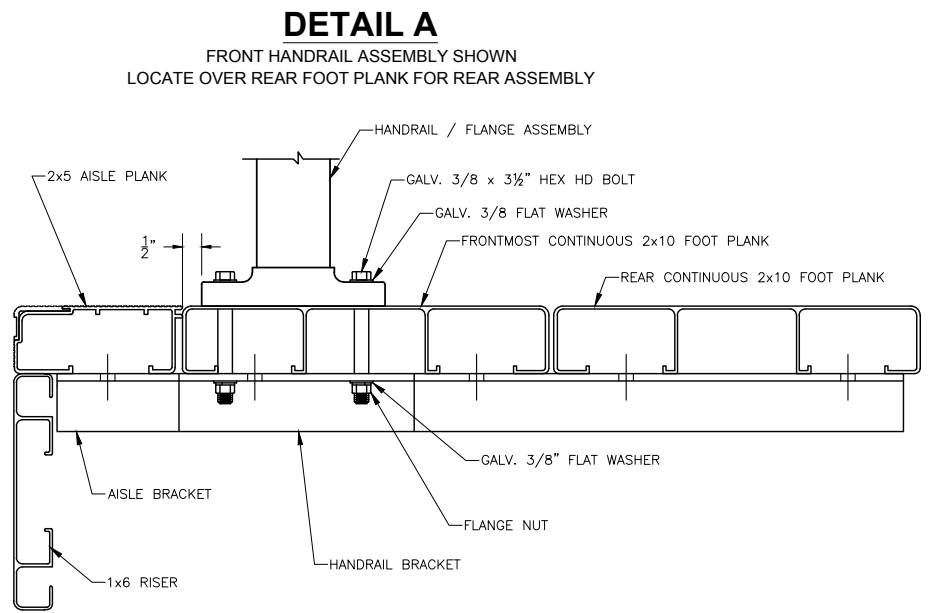
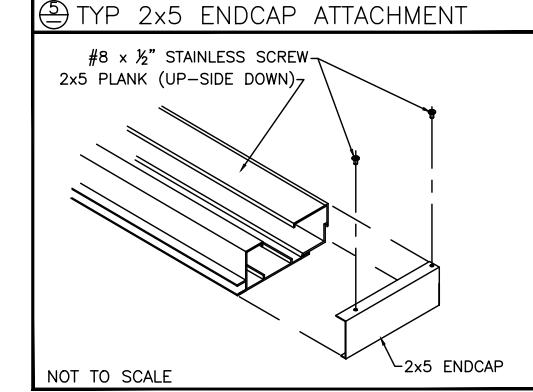
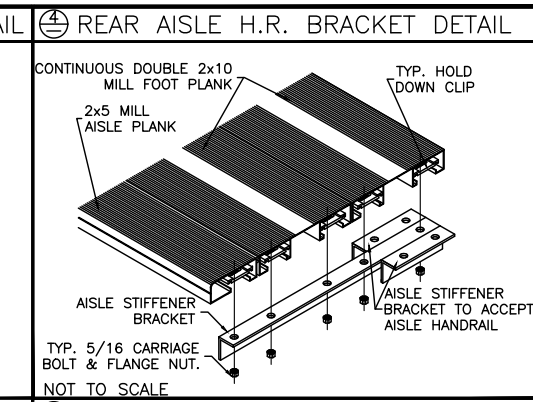
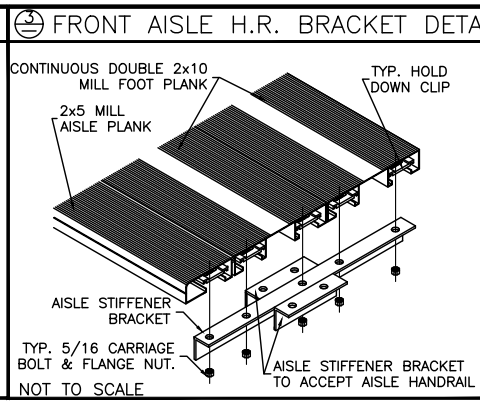
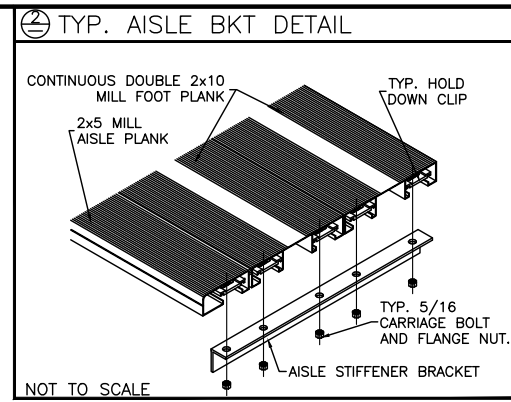
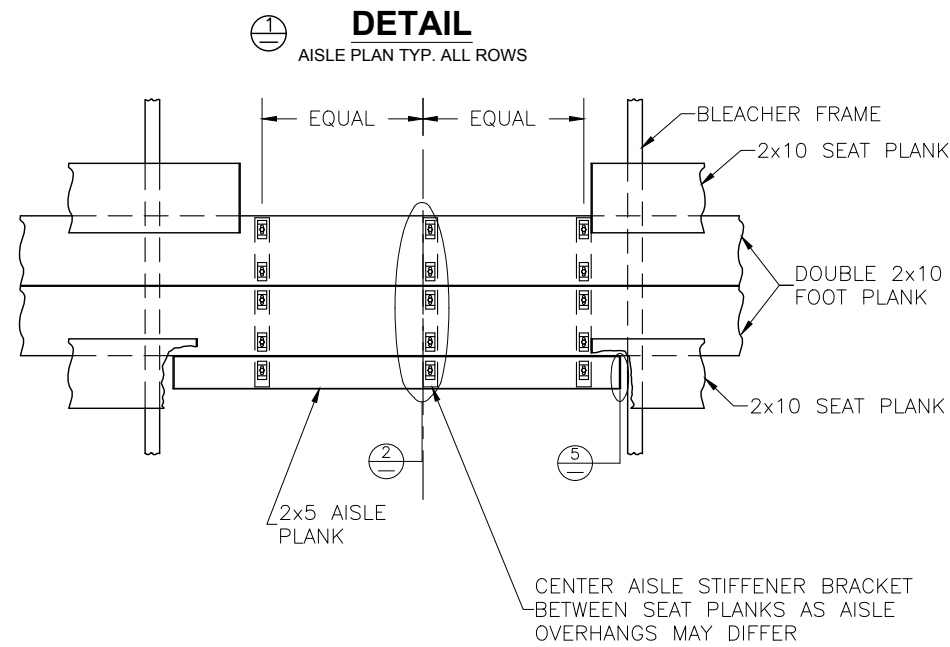
DATE  
12/20/2016  
SCALE

JOB NO.

GS-0433ADC-A

DWG NO.

BR.1



ALIGN EDGE OF FLANGE APPROX. 1/2" FROM THE LEADING EDGE OF THE FRONTMOST CONTINUOUS 2x10 FOOT PLANK (NOT THE 2x5 AISLE STEP PLANK). SLIGHTLY ADJUST FLANGE LOCATION, IF NECESSARY, SO THAT THE BOLT HOLE IS NOT DRILLED INTO A VERTICAL LEG OF THE PLANK. DRILL  $\varnothing 7/16$ " HOLES (FOR 3/8" BOLT). ASSEMBLE AS SHOWN USING GALV. STEEL BOLTS, FLAT WASHERS, AND FLANGE NUTS.



2810 Sydney Road  
Plant City, Florida 33566  
Phone: 813-305-1415  
Fax: 813-305-1419  
www.gtgrandstands.com

GT GRANDSTANDS  
A PLAYCORE Company

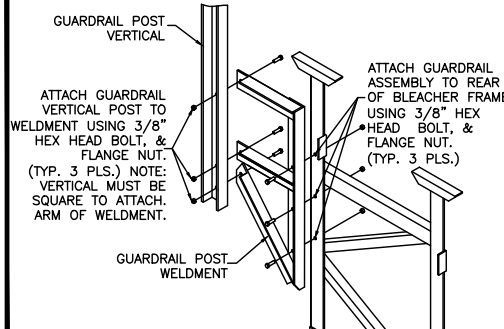
VERTICAL AISLE ASSEMBLY  
4 ROW BLEACHER  
WITH AISLE

GS-0433ADC-A  
OPTIONAL MUD SILLS (-MS)

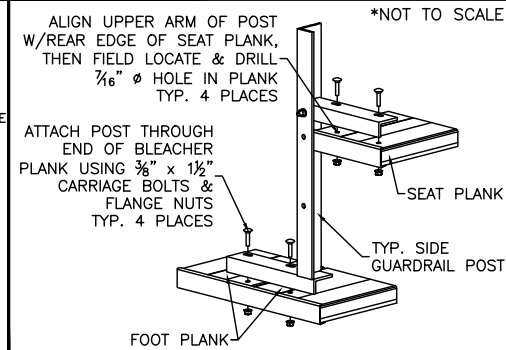
DRAWN BY  
MME  
CHECKED BY  
DATE  
12/20/2016  
SCALE  
JOB NO.  
GS-0433ADC-A  
DWG NO.  
VA.1



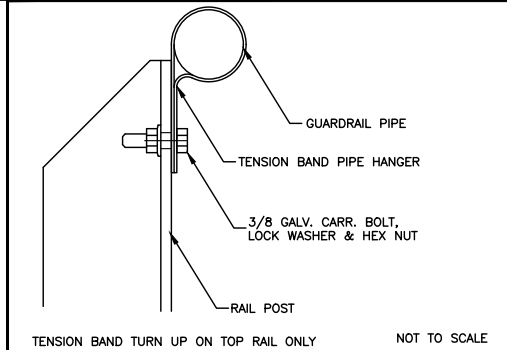
① REAR GUARDRAIL POST ATTACH.



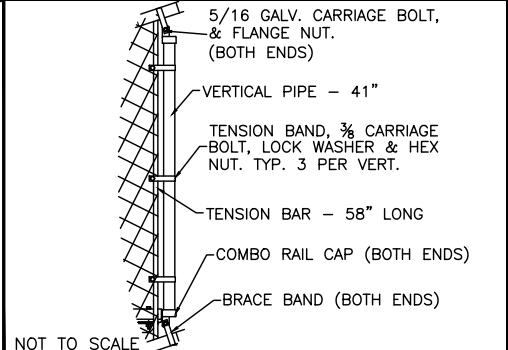
② SIDE GD. RAIL POST INSTALLATION



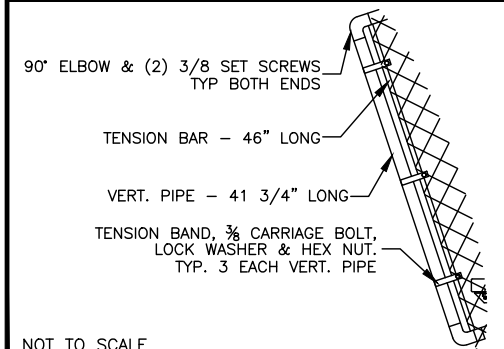
③ TENSION BAND ATTACHMENT



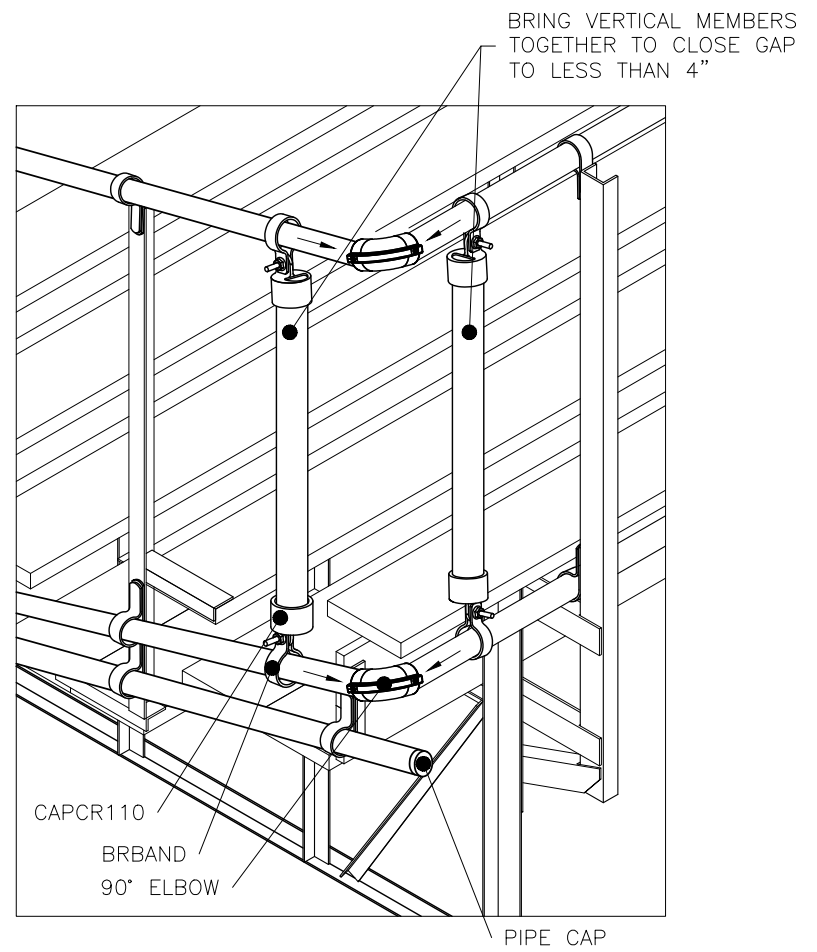
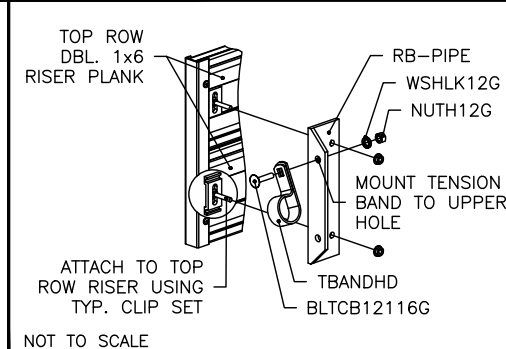
④ VERT. PIPE DETAIL (SIDE, TOP)



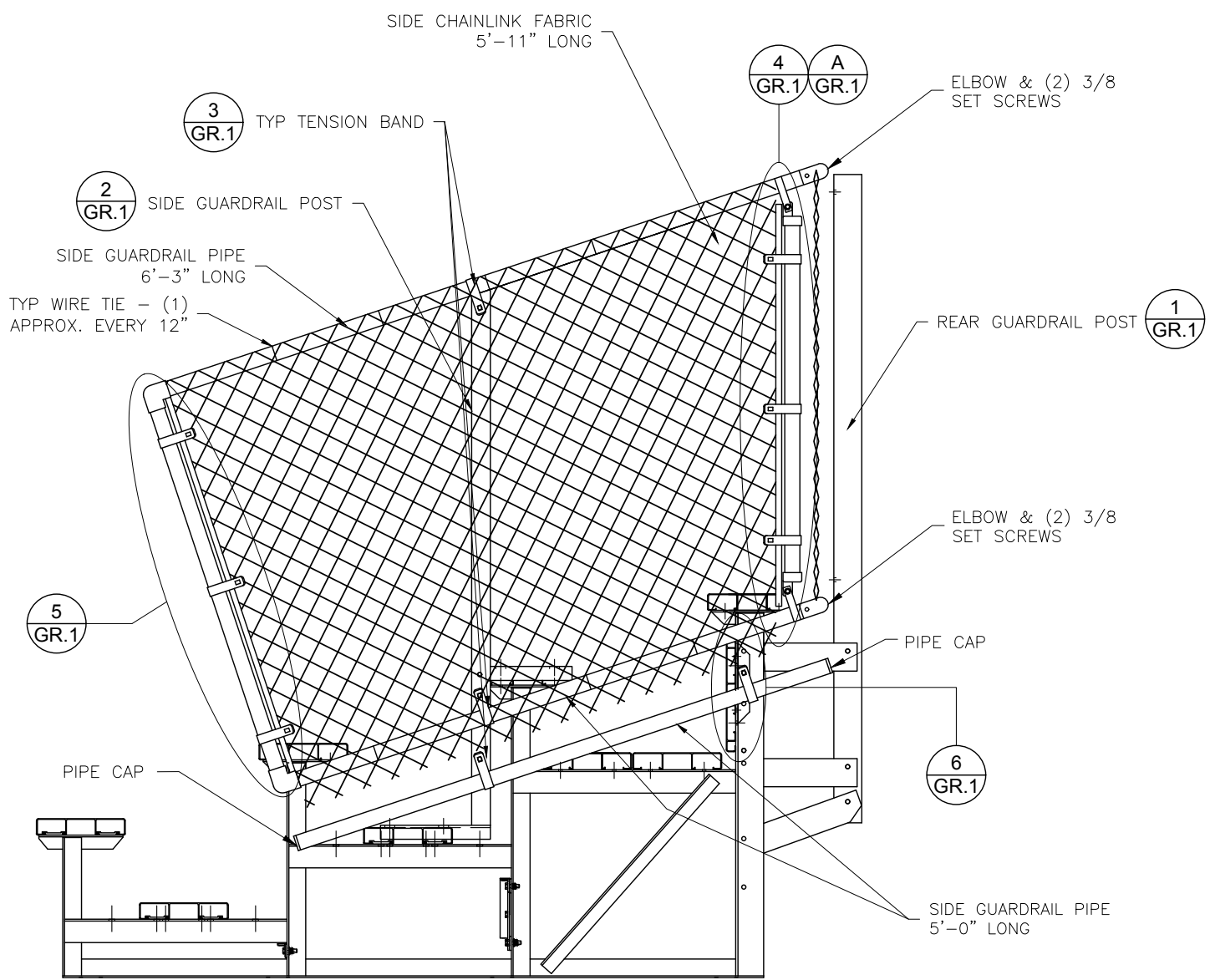
⑤ VERT. PIPE DETAIL (NE-SIDE, BOTT.)



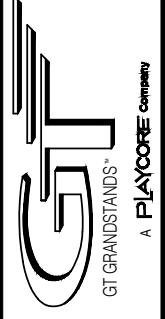
⑥ LOWER PIPE BRACKET ATTACH.



**DETAIL A**  
SCALE: NTS



2810 Sydney Road  
Plant City, Florida 33566  
Phone: 813-305-1415  
Fax: 813-305-1419  
www.gtgrandstands.com

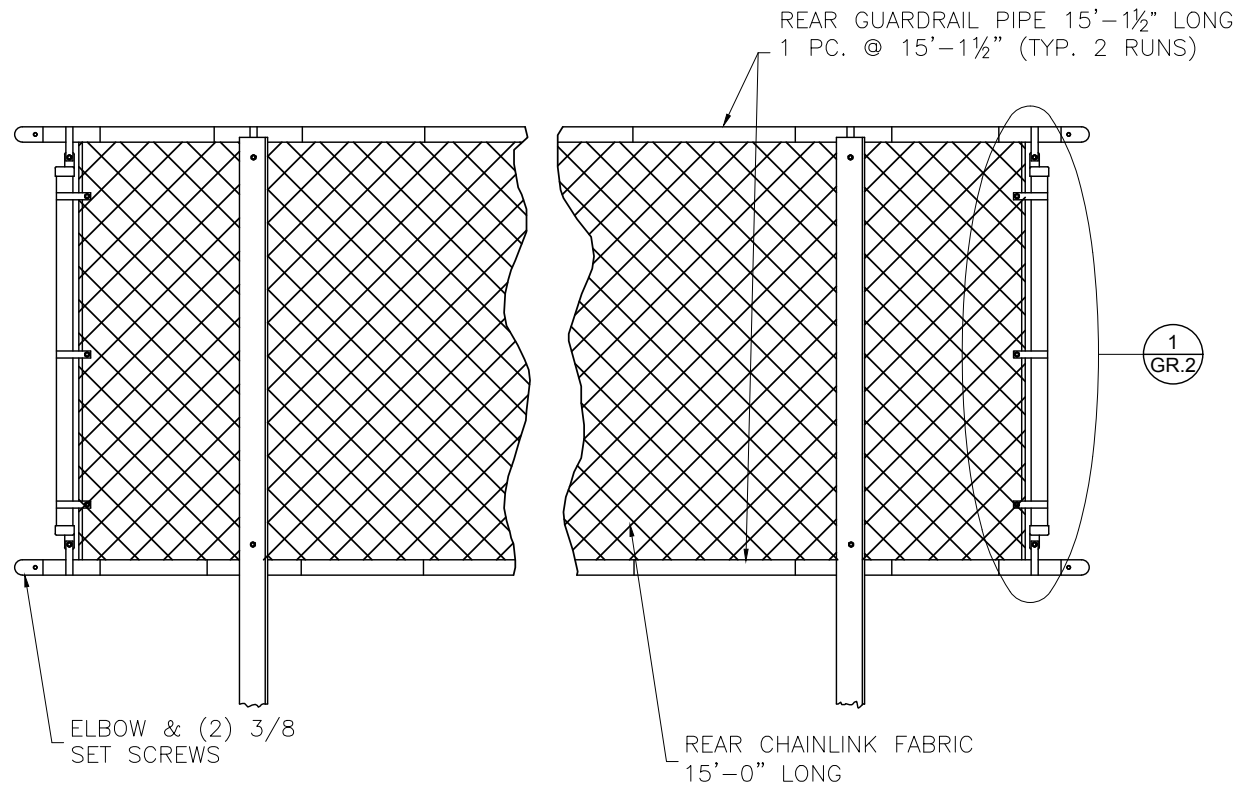
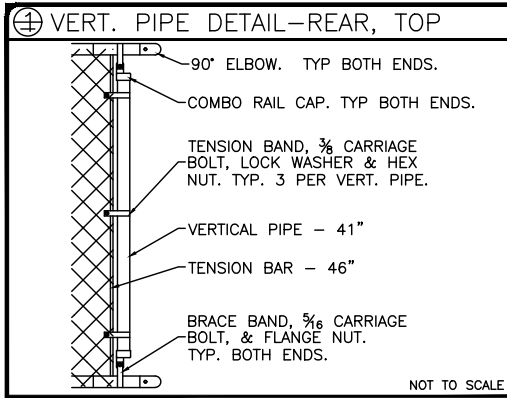


GUARDRAIL ASSEMBLY  
4 ROW BLEACHER  
WITH AISLE

GS-0433ADC-A  
OPTIONAL MUD SILLS (-MS)

DRAWN BY  
MME  
CHECKED BY  
DATE  
12/20/2016  
SCALE  
JOB NO.  
GS-0433ADC-A  
DWG NO.

GR.1



**REAR GUARDRAIL**  
 SCALE: NTS



2810 Sydney Road  
 Plant City, Florida 33566  
 Phone: 813-305-1415  
 Fax: 813-305-1419  
 www.gtgrandstands.com



GUARDRAIL ASSEMBLY  
 4 ROW BLEACHER  
 WITH AISLE

GS-0433ADC-A  
 OPTIONAL MUD SILLS (-MS)

DRAWN BY  
 MME  
 CHECKED BY

DATE  
 12/20/2016  
 SCALE

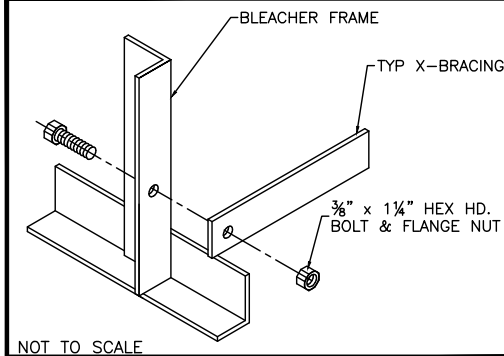
JOB NO.

GS-0433ADC-A

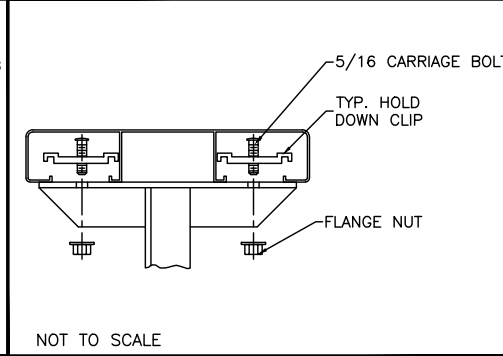
DWG NO.

GR.2

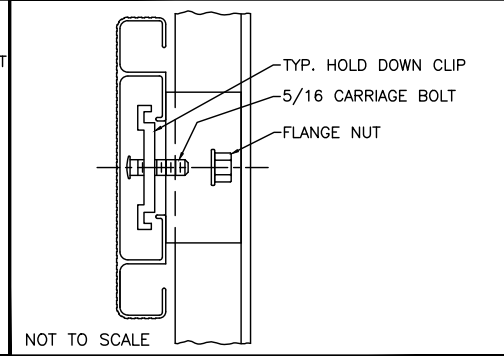
① TYP X-BRACE CONN. W/ 1 1/4 BOLT



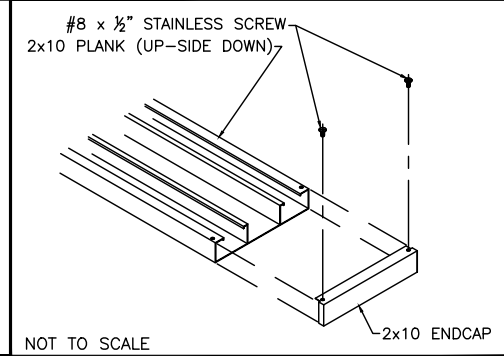
② TYP 2x10 PLANK ATTACHMENT



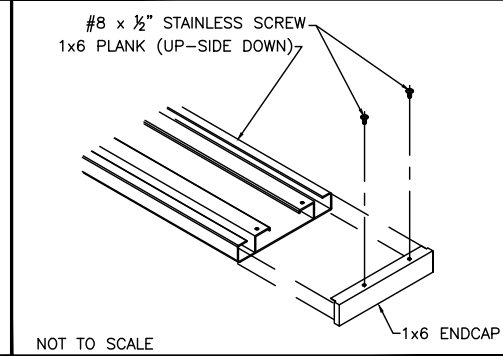
③ TYP 1x6 PLANK ATTACHMENT



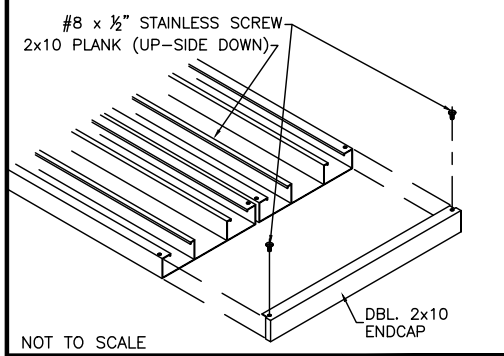
④ TYP 2x10 ENDCAP ATTACHMENT



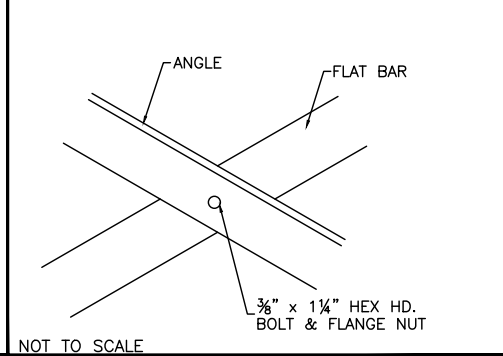
⑤ TYP 1x6 ENDCAP ATTACHMENT



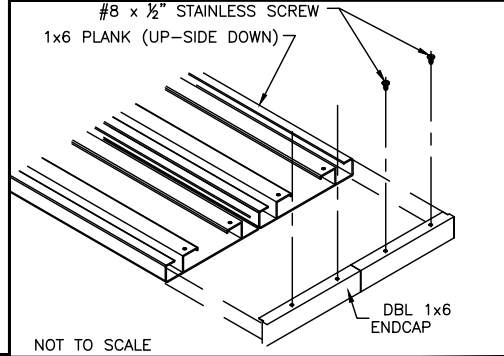
⑥ DBL. 2x10 ENDCAP ATTACHMENT



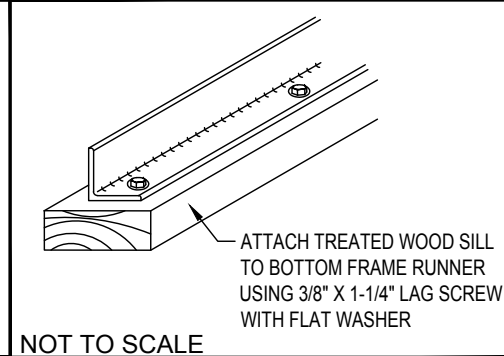
⑦ TYP X-BRACE CONN. W/ 1 1/4 BOLT



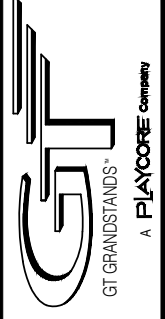
⑧ TYP 1x6 ENDCAP ATTACHMENT



⑨ (OPTIONAL) MUD SILL ATTACHMENT



2810 Sydney Road  
Plant City, Florida 33566  
Phone: 813-305-1415  
Fax: 813-305-1419  
www.gtgrandstands.com



DETAILS SHEET  
4 ROW BLEACHER  
WITH AISLE

GS-0433ADC-A  
OPTIONAL MUD SILLS (-MS)

DRAWN BY  
MME  
CHECKED BY  
DATE  
12/20/2016  
SCALE  
JOB NO.  
GS-0433ADC-A

DWG NO.  
DS.1