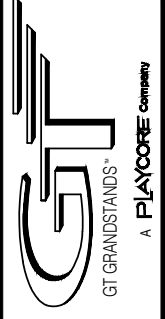


GS-0421ADV-A

4 ROW 21'-0" ALUMINUM BLEACHER GTG BLEACHER SERIES



2810 Sydney Road
Plant City, Florida 33566
Phone: 813-305-1415
Fax: 813-305-1419
www.gtgrandstands.com

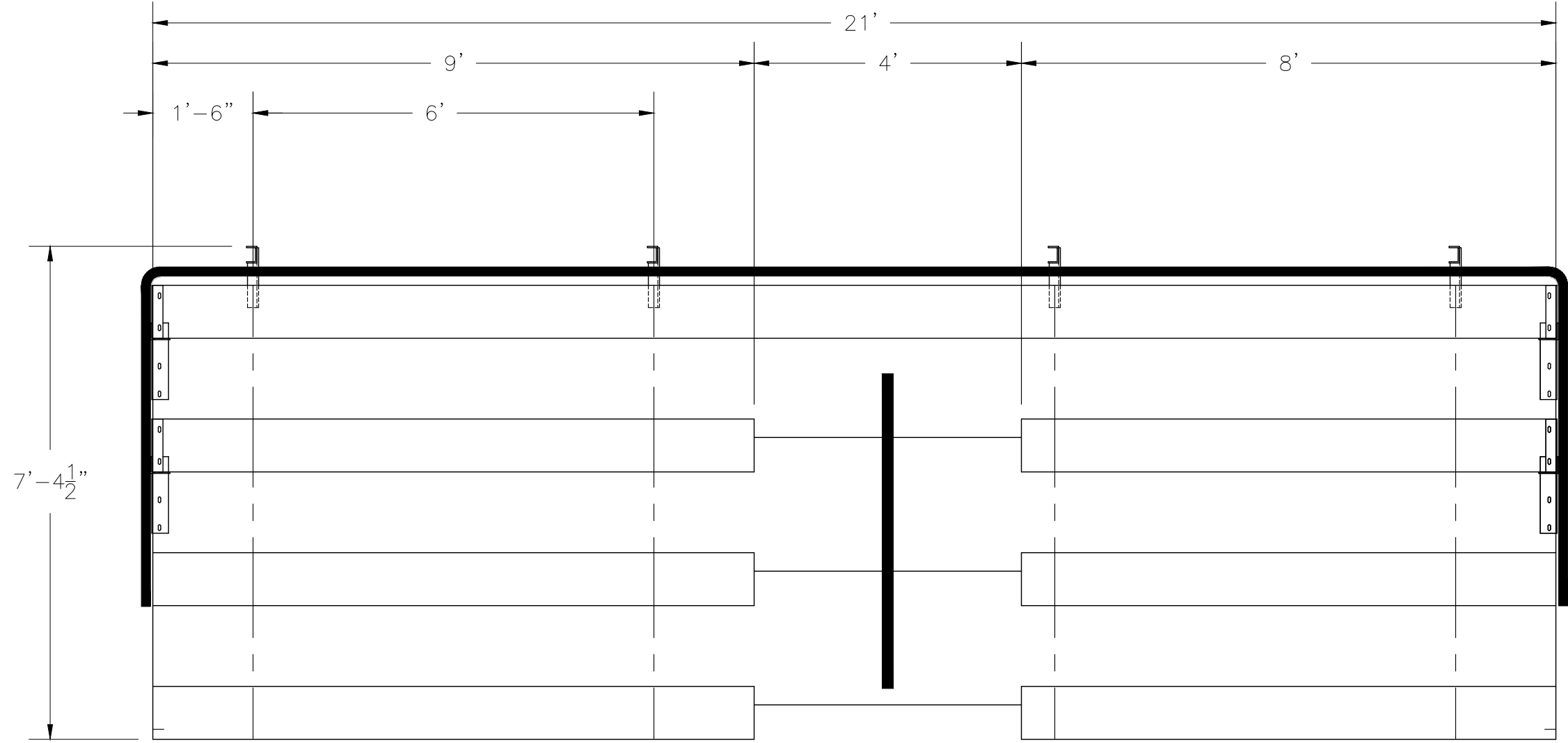


COVER SHEET
4 ROW BLEACHER
WITH AISLE

GS-0421ADV-A
OPTIONAL -MS (MUD SILL)

DRAWN BY
MME
CHECKED BY
DATE
11/01/2016
SCALE
SCALE
JOB NO.
GS-0421ADV-A
DWG NO.
CS-1

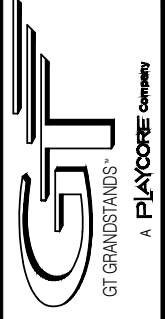
- CS.1 – COVER SHEET
- SP.1 – SEATING PLAN
- FP.1 – FOUNDATION PLAN
- AP.1 – ANCHORING PLAN
- BA.1 – BLEACHER ASSEMBLY
- PL.1 – PLANK LAYOUT
- BR.1 – BRACE ASSEMBLY
- VA.1 – VERTICAL AISLE ASSEMBLY
- GR.1 – GUARDRAIL ASSEMBLY
- DS.1 – DETAIL SHEET



SECTION LENGTH	GROSS SEATS	ACTUAL SEATS	NO. OF ROWS	NET SEATS
21	14.00	14.00	1	14
8	5.33	5.00	3	15
9	6.00	6.00	3	18
NET SEATS				47
WHEELCHAIR SPACES				0
TOTAL NET SEATING CAPACITY				47
(BASED ON 18" PER SEAT)				



2810 Sydney Road
 Plant City, Florida 33566
 Phone: 813-305-1415
 Fax: 813-305-1419
 www.ggrandstands.com



SEATING PLAN
 4 ROW BLEACHER
 WITH AISLE

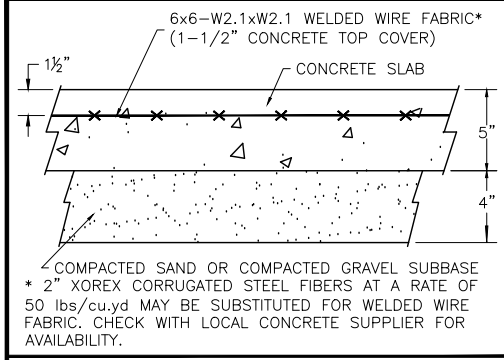
GS-042IADV-A
 OPTIONAL -MS (MUD SILL)

DRAWN BY
 MME
 CHECKED BY
 DATE
 11/01/2016
 SCALE
 1/2" = 1' - 0"
 JOB NO.

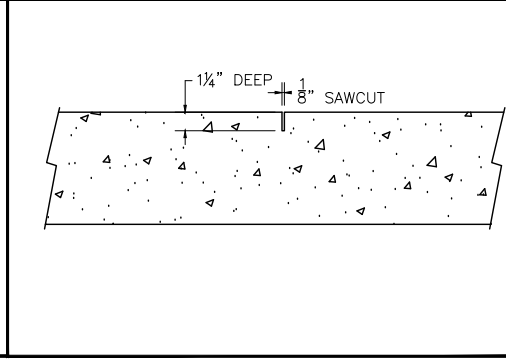
GS-042IADV-A

DWG NO.
 SP.1

① CONCRETE SLAB SECTION



② CONTROL JOINT DETAIL



CONCRETE FOUNDATION SPECIFICATIONS SCOPE:
 Foundation construction is not part of GT Grandstands scope of work unless noted otherwise in the contract documents. The owner shall review the foundation design with the local code authorities, and coordinate with GTG.

FOUNDATION DESIGN & ANCHORS:

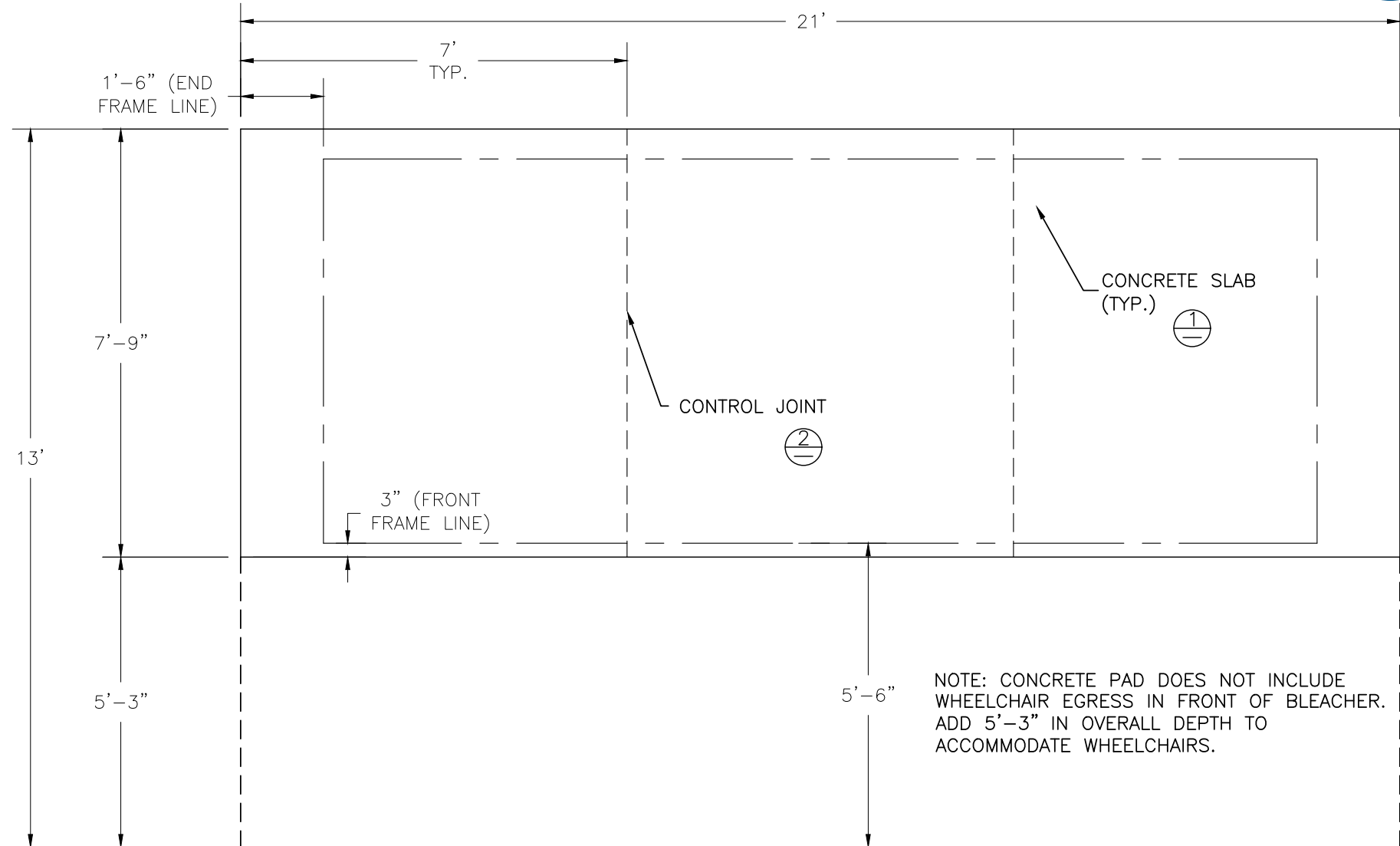
- 1) The foundation designs are based on the following:
 - a. Minimum presumed soil bearing 1000 psf.
 - b. Bleacher frame dead and live load 700 lbs./ft.
 - c. Bleacher frame wind uplift load 250 lbs./ft.
- 2) Unless otherwise noted on the drawings the bleacher frames shall be attached to the concrete with 3/8" dia. x 3" wedge type expansion anchors. The anchors shall be embedded a minimum of 2" into the concrete.

CONCRETE SPECIFICATIONS:

- 1) All concrete construction shall be in accordance with ACI 318-08.
- 2) All concrete shall have a minimum 28-day strength of $F_c=3000$ psi.
- 3) A 1/4" bituminous expansion joint material shall be placed between strip and slab foundations when adjacent to each other.
- 4) The depressions in the top of the foundations between high spots shall not exceed 5/16" below a 10-foot long straightedge. The 10-foot straightedge method used to measure foundation flatness shall be in accordance with Section of ACI 302.1R-04 "Guide for Concrete Floor and Slab Construction".

CONCRETE SLAB SPECIFICATIONS:

- 1) Concrete slab shall have a minimum thickness of 5" (GT Grandstands recommends, and some areas may require 6" thickness) and placed on 4" of compacted gravel or compacted sand sub-base.
- 2) GT Grandstands recommends that the concrete slab be reinforced with 6x6-W2.1xW2.1 welded wire fabric at 1 1/2" concrete cover from the top. In lieu of welded wire fabric, 2" XOREX by Ribbon Technology Corporation or equal corrugated steel fibers applied at a rate of 50-lbs./Cubic Yard may be used. Nylon or polypropylene fiber are not recommended.
- 3) Crack control joints shall be sawed into slab to form approximate square patterns. The maximum spacing for control joints shall not exceed 12'-6", unless shown otherwise on this drawing. The bleacher frames shall not be set on control joints. The designer shall contact GTG to coordinate joint spacing requirements with the specific bleacher design.
- 4) The slab may be sloped a maximum of 1/8 inch per foot for drainage. The maximum overall out of level slope for the slab perpendicular to the seats (front to rear) shall not exceed 2" and parallel to the seats (end to end) shall not exceed 4".



2810 Sydney Road
 Plant City, Florida 33566
 Phone: 813-305-1415
 Fax: 813-305-1419
 www.gtgrandstands.com

FOUNDATION PLAN
 4 ROW BLEACHER
 WITH AISLE

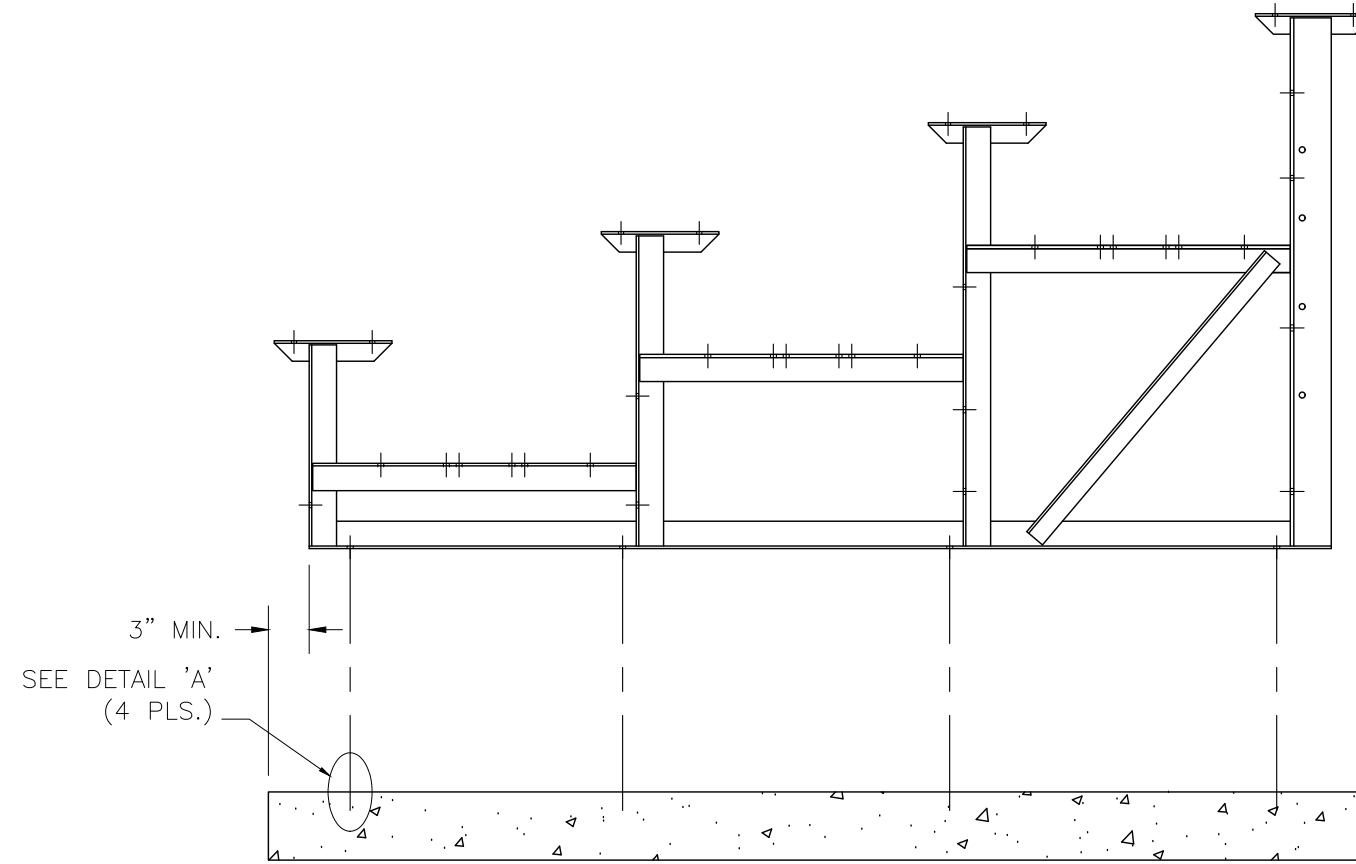
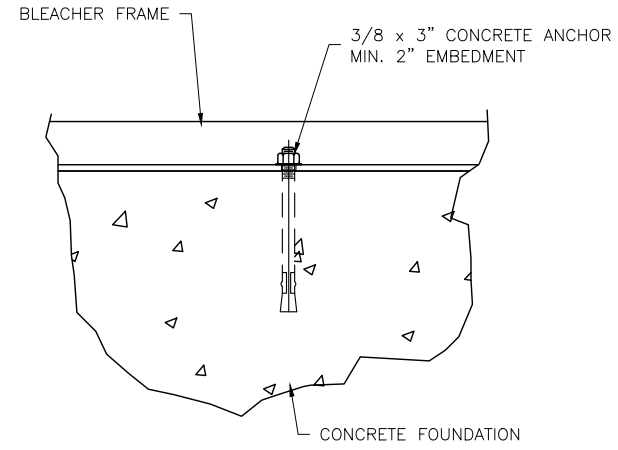
GS-042IADV-A
 OPTIONAL -MS (MUD SILL)

DRAWN BY
 MME
 CHECKED BY
 DATE
 11/01/2016
 SCALE
 3/8" = 1' - 0"
 JOB NO.

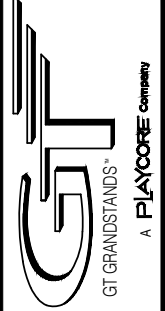
GS-042IADV-A

DWG NO.
 FP.1

DETAIL "A" - CONC. ANCHOR ATTACHMENT



2810 Sydney Road
Plant City, Florida 33566
Phone: 813-305-1415
Fax: 813-305-1419
www.gtgrandstands.com



ANCHORING PLAN
4 ROW BLEACHER
WITH AISLE

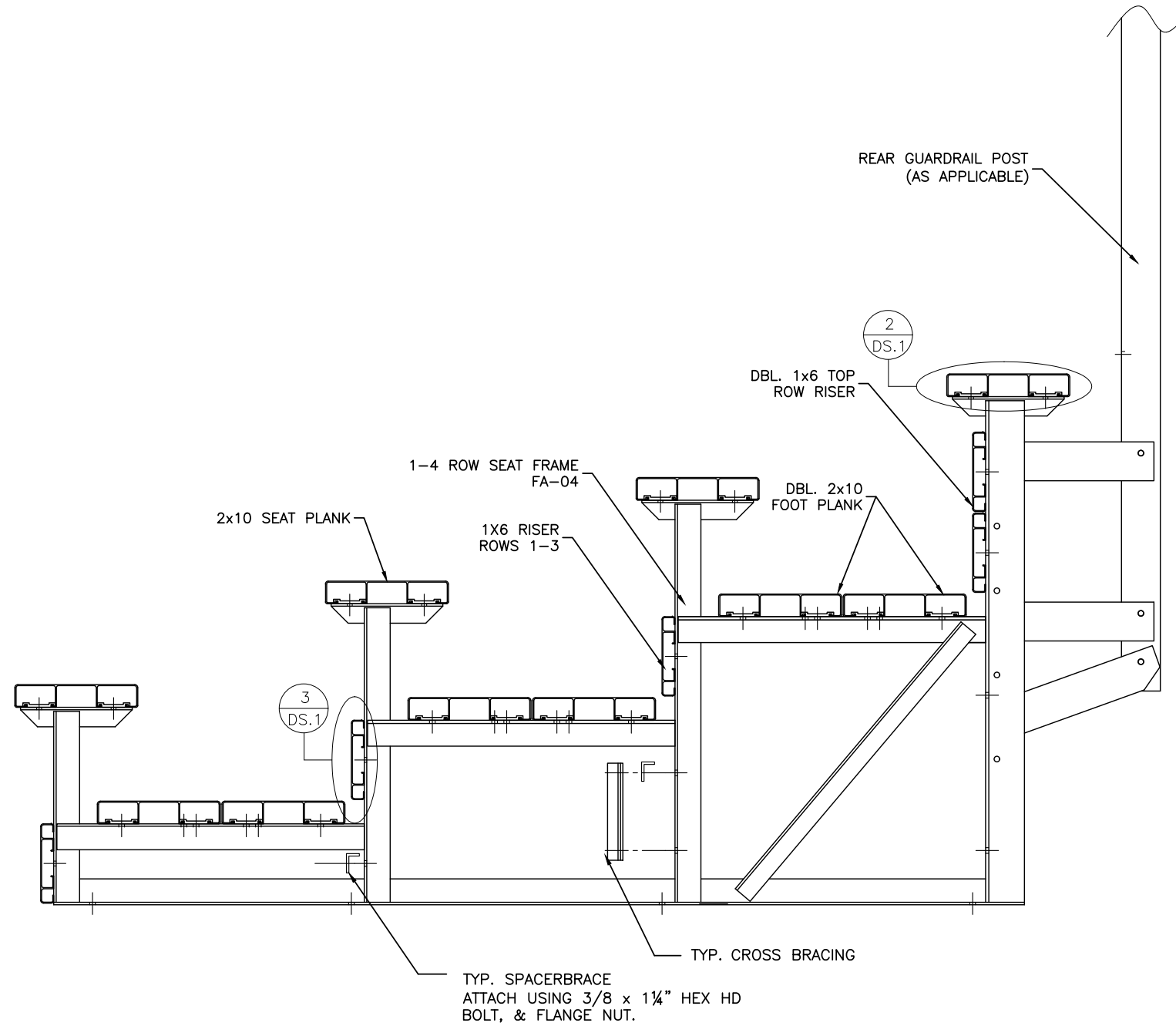
GS-042IADV-A
OPTIONAL -MS (MUD SILL)

DRAWN BY
MME
CHECKED BY

DATE
11/01/2016
SCALE
NTS
JOB NO.

GS-042IADV-A

DWG NO.
AP.1



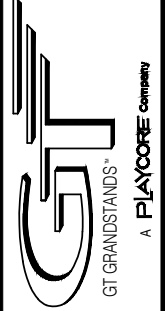
***NOTES

REFER TO PAGE DS.1 FOR DEPICTED DETAILS

REFER TO PAGE BR.1 FOR BRACING LOCATION AND SIZE



2810 Sydney Road
Plant City, Florida 33566
Phone: 813-305-1415
Fax: 813-305-1419
www.gtgrandstands.com



SEATING PLAN
4 ROW BLEACHER
WITH AISLE

GS-042IADV-A
OPTIONAL -MS (MUD SILL)

DRAWN BY
MME
CHECKED BY

DATE
11/01/2016

SCALE
1/2" = 1' - 0"

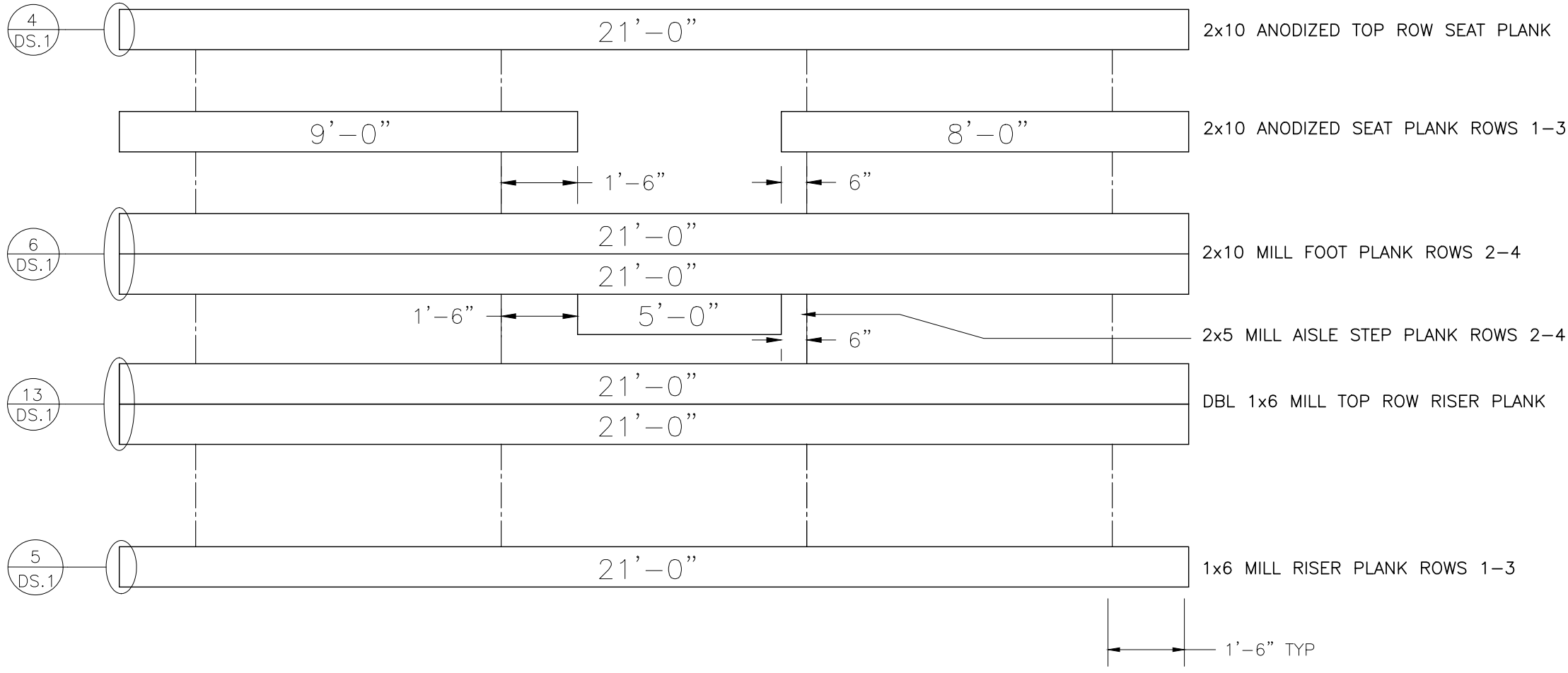
JOB NO.

GS-042IADV-A

DWG NO.

SP.1

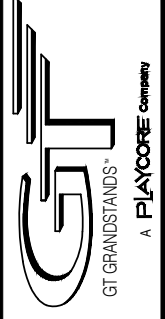
PLANK PLAN



***NOTE
REFER TO PAGE DS.1 FOR DEPICTED DETAILS



2810 Sydney Road
Plant City, Florida 33566
Phone: 813-305-1415
Fax: 813-305-1419
www.gtgrandstands.com

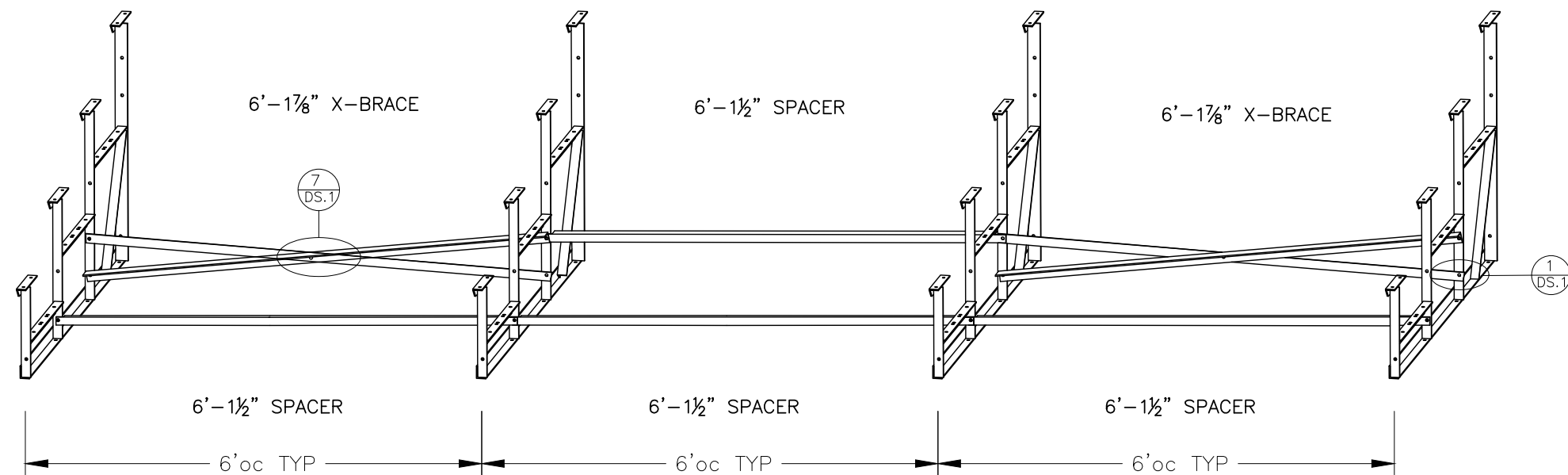


PLANK LAYOUT
4 ROW BLEACHER
WITH AISLE

GS-042IADV-A
OPTIONAL -MS (MUD SILL)

DRAWN BY MME
CHECKED BY
DATE 11/01/2016
SCALE 3/8" = 1' - 0"
JOB NO. GS-042IADV-A
DWG NO. PL.1

PRE-ASSEMBLE X-BRACE SETS. EACH SET CONSIST OF ONE FLAT BAR AND ONE ANGLE. ONCE ASSEMBLED, THEY WILL BECOME AN "X". THEY BOLT TOGETHER WITH A $\frac{3}{8}$ " X $1 \frac{1}{4}$ " HEX HEAD BOLT AND FLANGE NUT THRU THE CENTER HOLE. (SEE DETAIL 7 ON DETAIL SHEET).

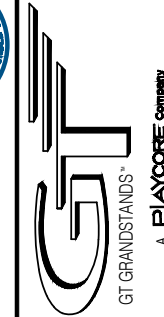


***NOTES

REFER TO PAGE DS.1 FOR DEPICTED DETAILS
 DETAIL IS TO DEPICT CROSS BRACING ATTACHMENT ONLY. FRAME DESIGN MAY VARY.



2810 Sydney Road
 Plant City, Florida 33566
 Phone: 813-305-1415
 Fax: 813-305-1419
 www.gtgrandstands.com



BRACE ASSEMBLY
 4 ROW BLEACHER
 WITH AISLE

GS-042IADV-A
 OPTIONAL -MS (MUD SILL)

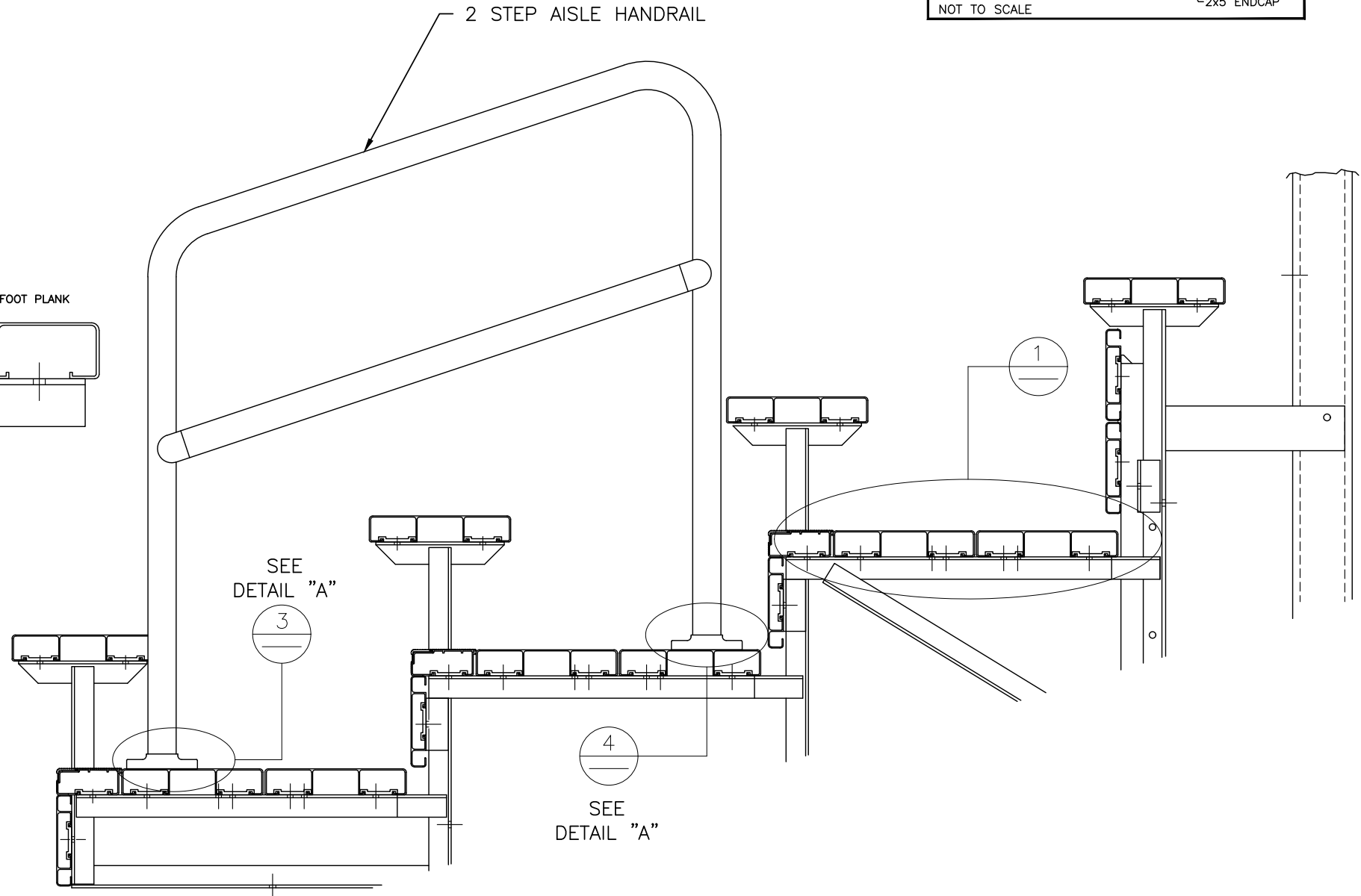
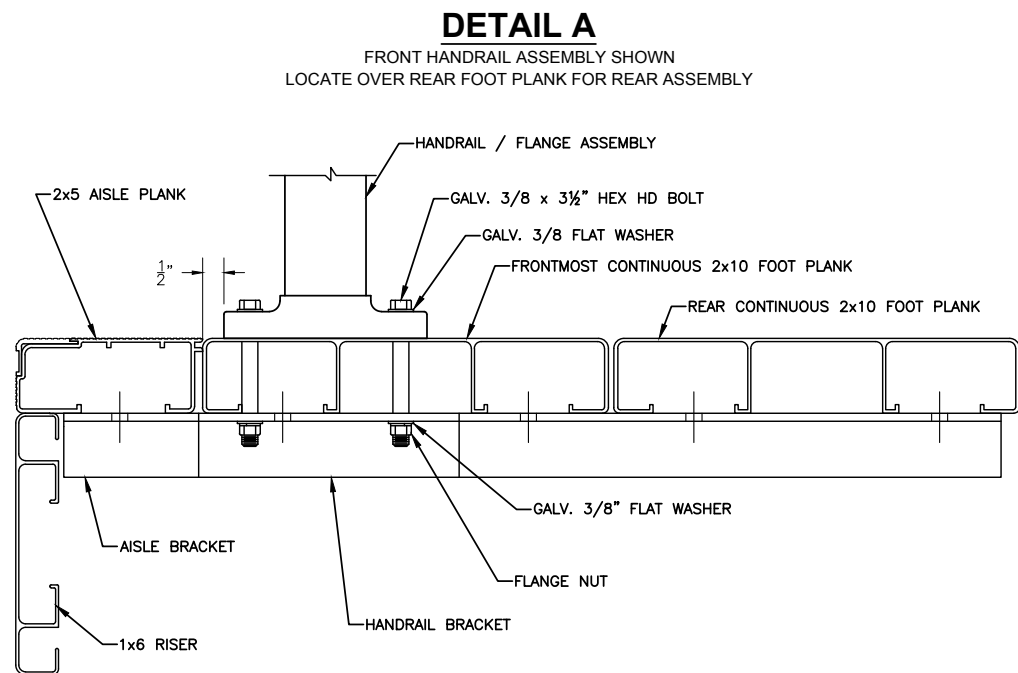
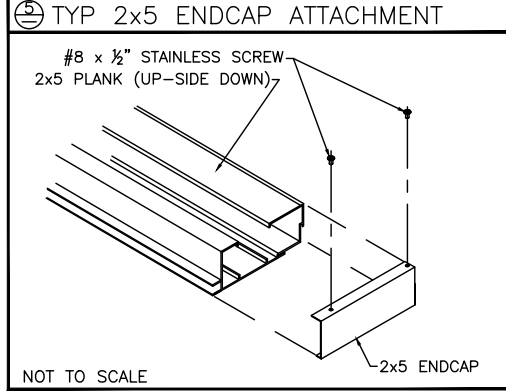
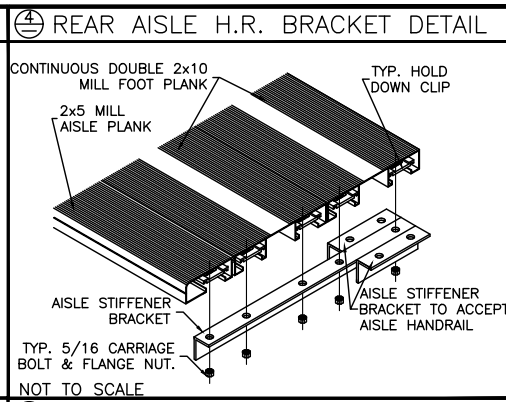
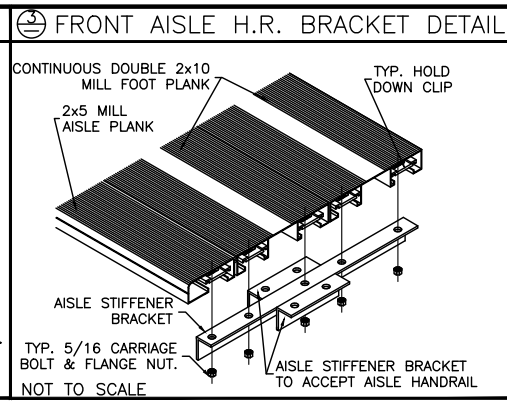
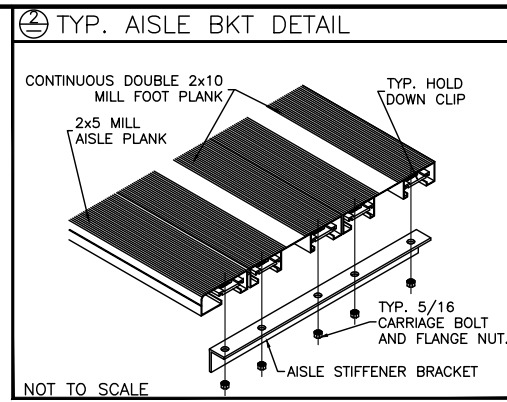
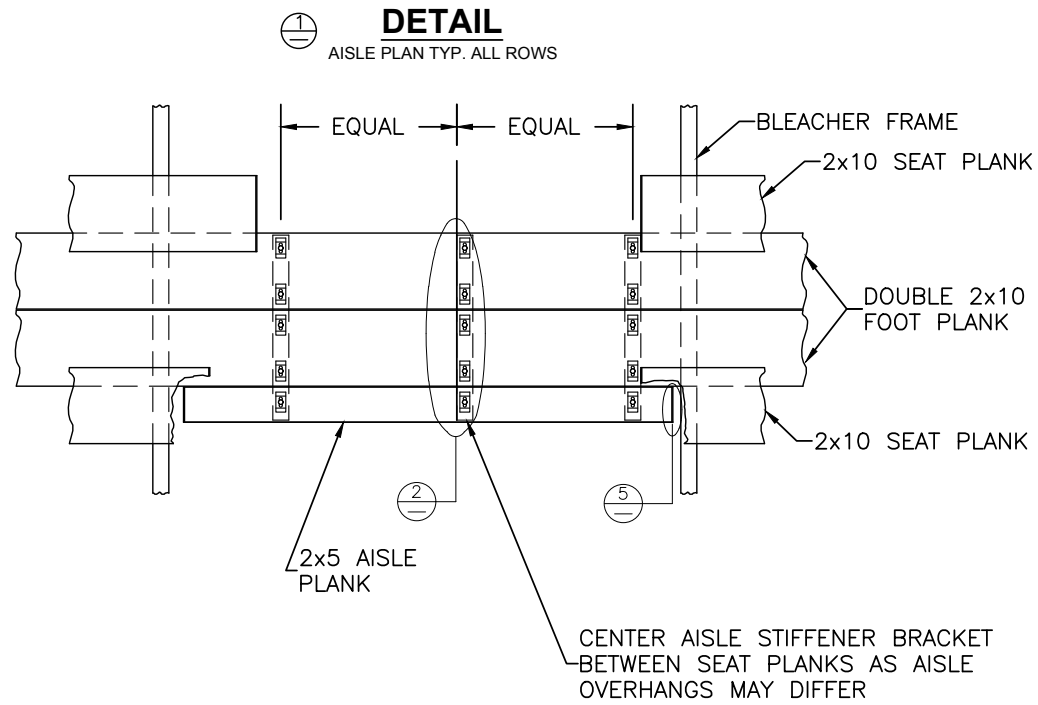
DRAWN BY
 MME
 CHECKED BY

DATE
 11/01/2016

SCALE
 1/2" = 1' - 0"

JOB NO.
 GS-042IADV-A

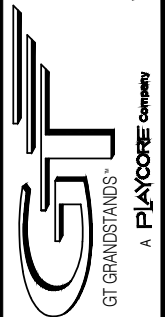
DWG NO.
 BR.1



ALIGN EDGE OF FLANGE APPROX. 1/2" FROM THE LEADING EDGE OF THE FRONTMOST CONTINUOUS 2x10 FOOT PLANK (NOT THE 2x5 AISLE STEP PLANK). SLIGHTLY ADJUST FLANGE LOCATION, IF NECESSARY, SO THAT THE BOLT HOLE IS NOT DRILLED INTO A VERTICAL LEG OF THE PLANK. DRILL $\phi 7/16$ " HOLES (FOR 3/8" BOLT). ASSEMBLE AS SHOWN USING GALV. STEEL BOLTS, FLAT WASHERS, AND FLANGE NUTS.



2810 Sydney Road
Plant City, Florida 33566
Phone: 813-305-1415
Fax: 813-305-1419
www.gtgrandstands.com



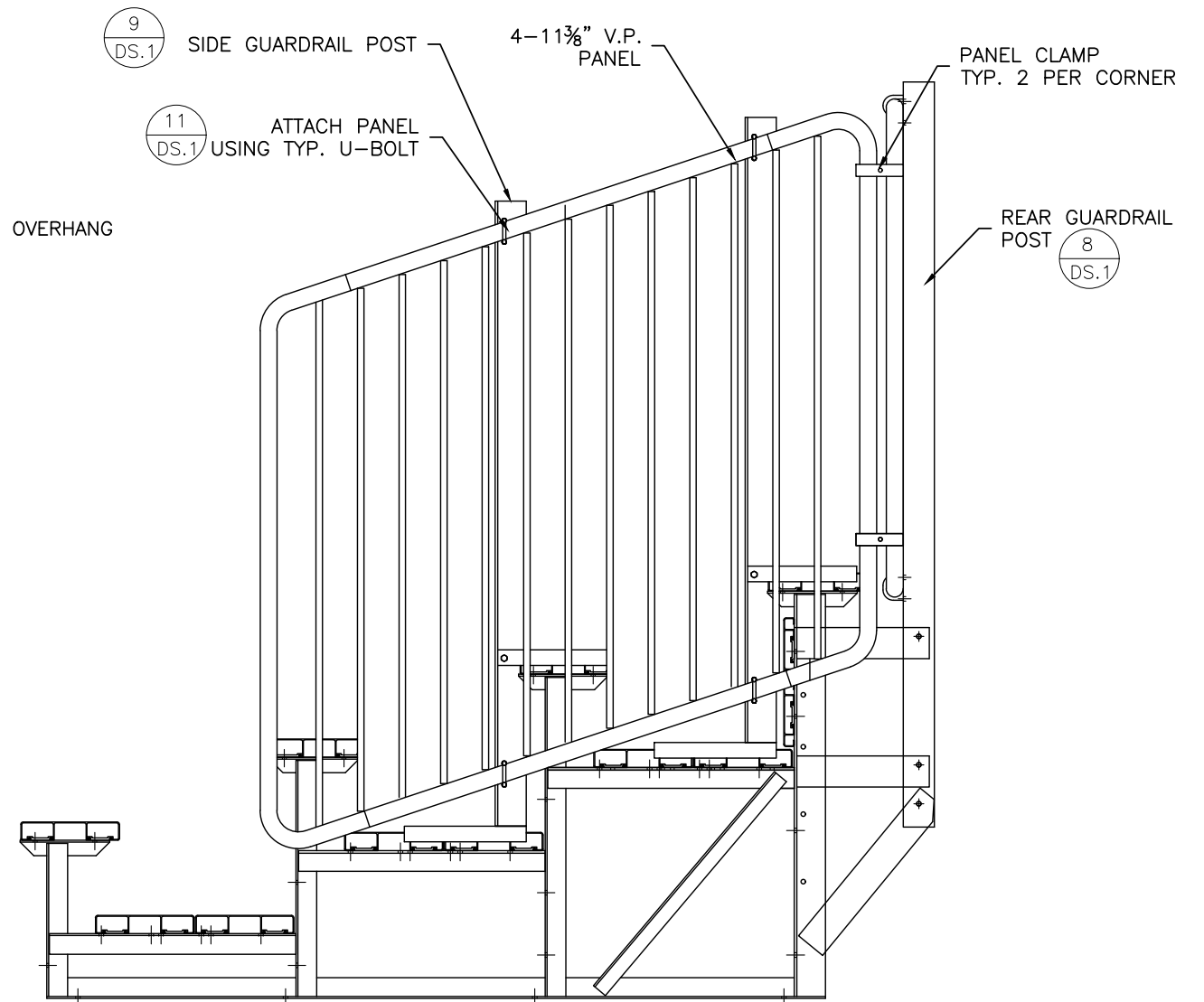
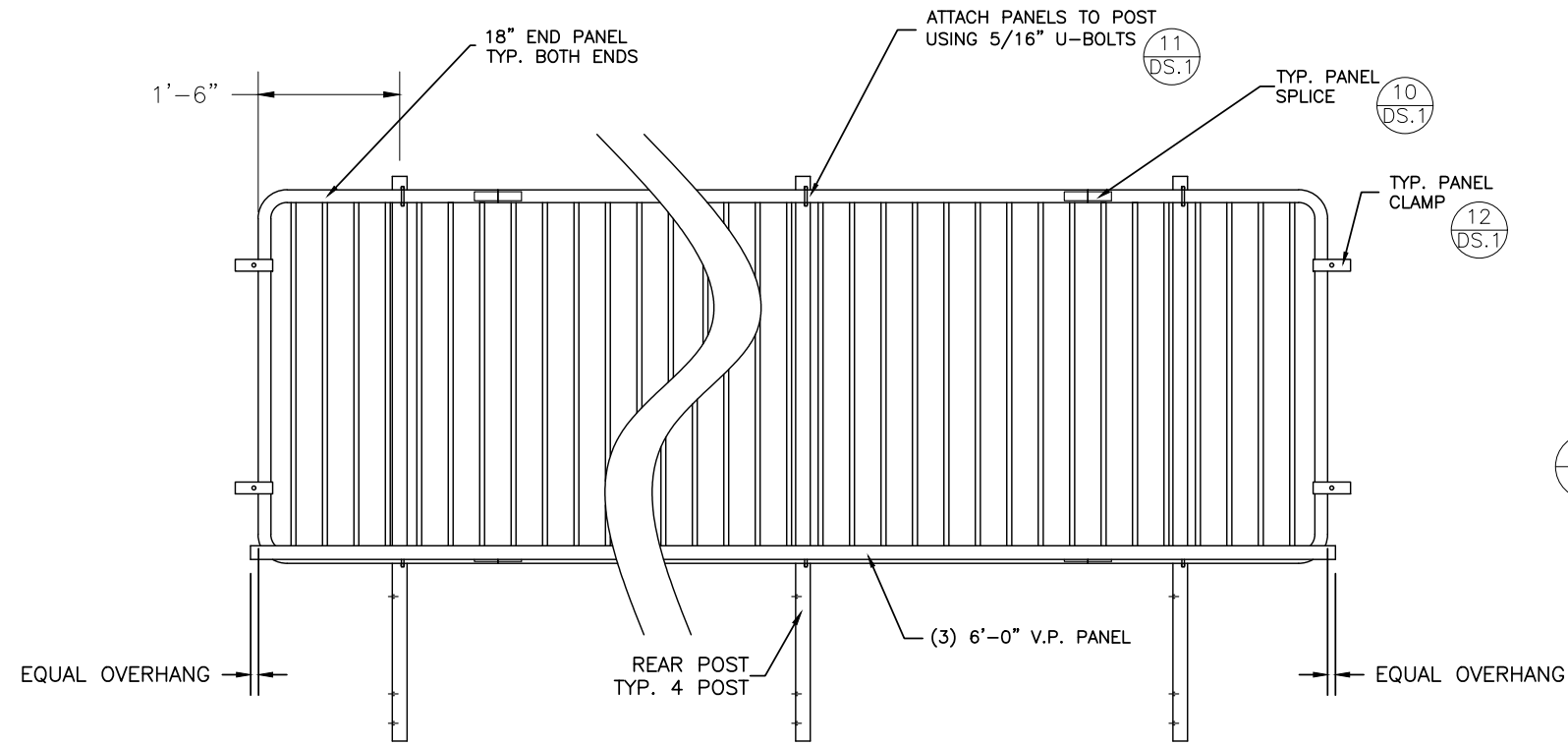
VERTICAL AISLE ASSEMBLY
4 ROW BLEACHER
WITH AISLE

GS-042IADV-A
OPTIONAL -MS (MUD SILL)

DRAWN BY
MME
CHECKED BY
DATE
11/01/2016
SCALE
NTS
JOB NO.
GS-042IADV-A
DWG NO.

VA.1

REAR GUARD RAIL

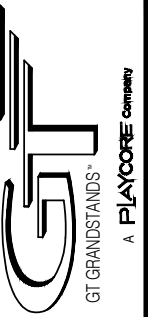


SIDE GUARD RAIL

***NOTE
REFER TO PAGE DS.1 FOR DEPICTED DETAILS



2810 Sydney Road
Plant City, Florida 33566
Phone: 813-305-1415
Fax: 813-305-1419
www.gtgrandstands.com



GUARDRAIL ASSEMBLY
4 ROW BLEACHER
WITH AISLE

GS-042IADV-A
OPTIONAL -MS (MUD SILL)

DRAWN BY
MME

CHECKED BY

DATE
11/01/2016

SCALE
NTS

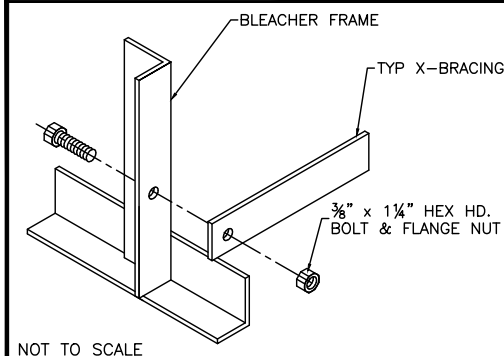
JOB NO.

GS-042IADV-A

DWG NO.

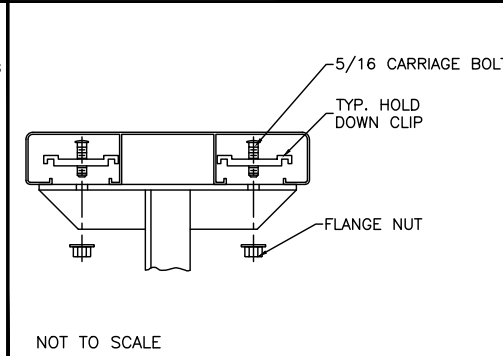
GR.1

1 TYP X-BRACE CONN. W/ 1/4 BOLT



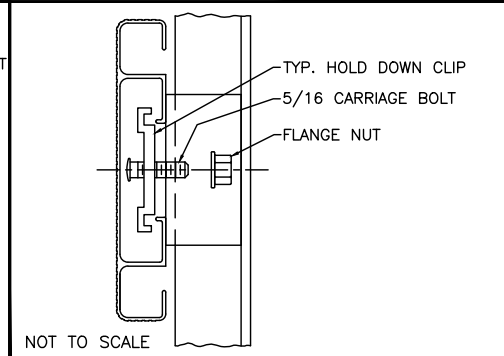
NOT TO SCALE

2 TYP 2x10 PLANK ATTACHMENT



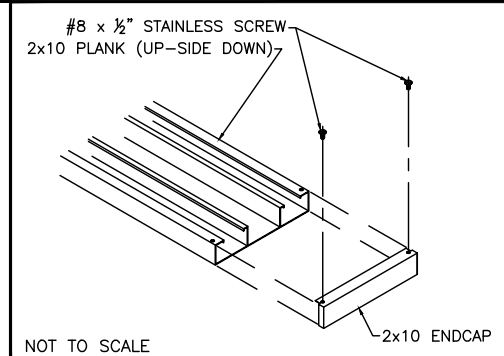
NOT TO SCALE

3 TYP 1x6 PLANK ATTACHMENT



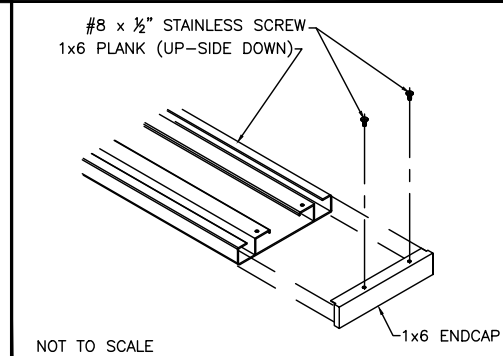
NOT TO SCALE

4 TYP 2x10 ENDCAP ATTACHMENT



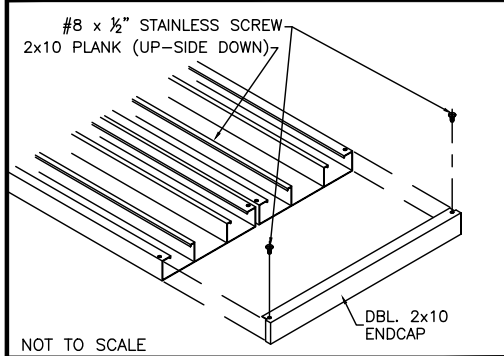
NOT TO SCALE

5 TYP 1x6 ENDCAP ATTACHMENT



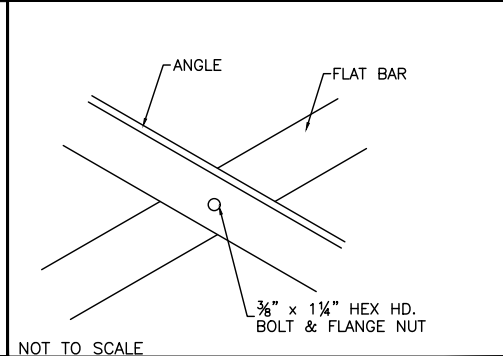
NOT TO SCALE

6 DBL. 2x10 ENDCAP ATTACHMENT



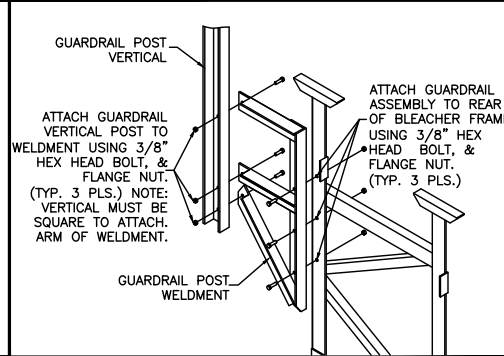
NOT TO SCALE

7 TYP X-BRACE CONN. W/ 1/4 BOLT



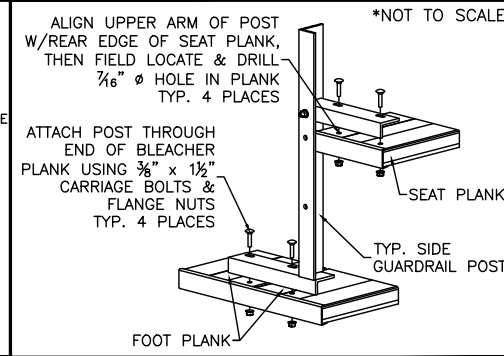
NOT TO SCALE

8 REAR GUARDRAIL POST ATTACHMENT



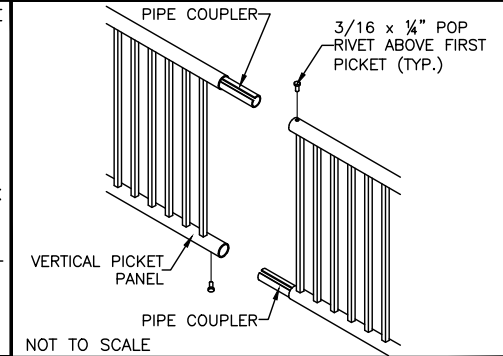
NOT TO SCALE

9 SIDE GD. RAIL POST INSTALLATION



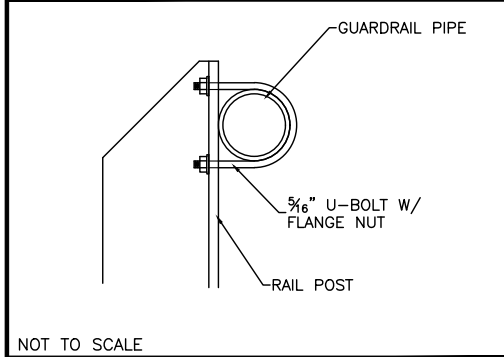
NOT TO SCALE

10 PIPE COUPLER INSTALLATION



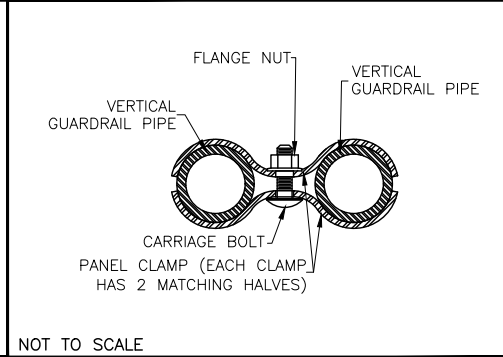
NOT TO SCALE

11 U-BOLT DETAIL



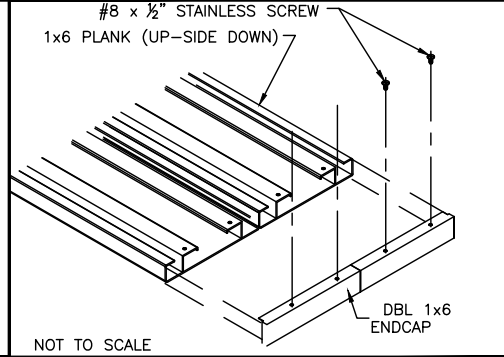
NOT TO SCALE

12 PANEL CLAMP DETAIL



NOT TO SCALE

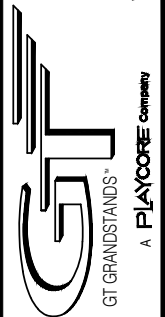
13 TYP 1x6 ENDCAP ATTACHMENT



NOT TO SCALE



2810 Sydney Road
Plant City, Florida 33566
Phone: 813-305-1415
Fax: 813-305-1419
www.gtgrandstands.com



GT GRANDSTANDS
A PLAYCORE Company

DETAIL SHEET
4 ROW BLEACHER
WITH AISLE

GS-042IADV-A
OPTIONAL -MS (MUD SILL)

DRAWN BY
MME
CHECKED BY

DATE
11/01/2016
SCALE
NTS
JOB NO.

GS-042IADV-A
DWG NO.

DS.1