

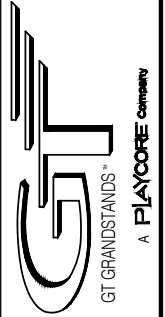
ALUMINUM 4 ROW x 15'-0" - STANDARD SERIES

MODEL **GS-0415ADC-A**

OPTIONS: -RB = RUBBER BUMPERS
-MS = MUD SILLS



2810 Sydney Road
Plant City, Florida 33566
Phone: 813-305-1415
Fax: 813-305-1419
www.gtgrandstands.com

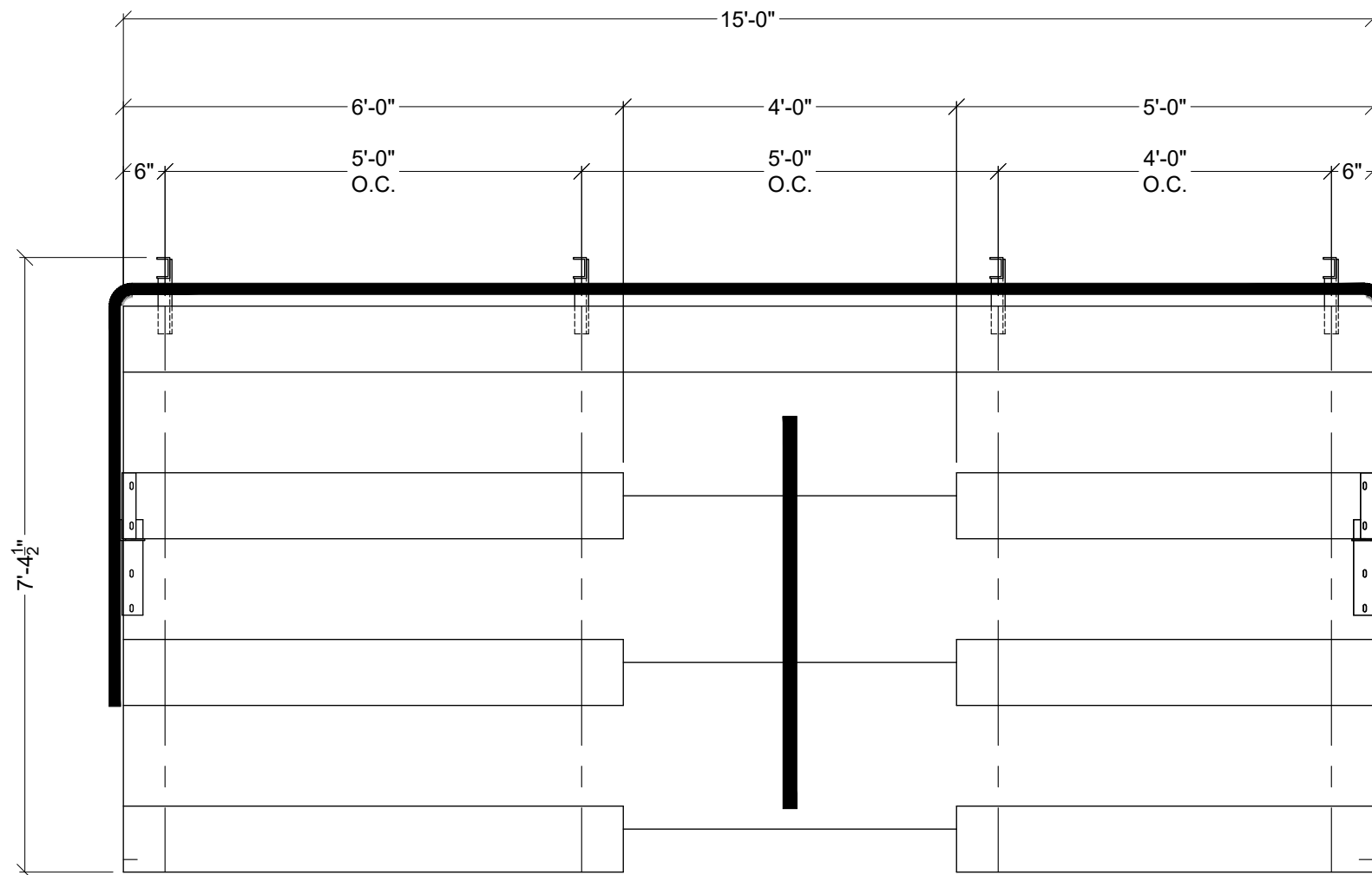


COVER SHEET
4 ROW BLEACHER
WITH AISLE

GS-0415ADC-A
OPTIONAL MUD SILL
OPTIONAL FOUNDATION

DRAWN BY	MME
CHECKED BY	
DATE	03/02/2017
SCALE	
JOB NO.	GS-0415ADC-A
DWG NO.	CS.1

L:\1Standard Models\GS-04xxADC-A\GS-0415ADC-A-rev1.dwg, 4/11/2017 1:09:58 PM, GOB



SEATING PLAN

SCALE: 1/2" = 1' - 0"

SECTION LENGTH	GROSS SEATS	ACTUAL SEATS	NO. OF ROWS	NET SEATS
15	10.00	10.00	1	10
6	4.00	4.00	3	12
5	3.33	3.00	3	9
NET SEATS				31
WHEELCHAIR SPACES				0
TOTAL NET SEATING CAPACITY				31
<i>(BASED ON 18" PER SEAT)</i>				

LOCAL CODES AND SPECIFICATIONS WILL VARY FROM REGION TO REGION AND WILL ALSO CHANGE OVER TIME. IT IS THE BUYER'S RESPONSIBILITY TO CHECK LOCAL CODES FOR COMPLIANCE.



2810 Sydney Road
Plant City, Florida 33566
Phone: 813-305-1415
Fax: 813-305-1419
www.gtgrandstands.com

GT
GT GRANDSTANDS™
A PLAYCORE Company

SEATING PLAN
4 ROW BLEACHER
WITH AISLE

GS-0415ADC-A

DRAWN BY
MME

CHECKED BY

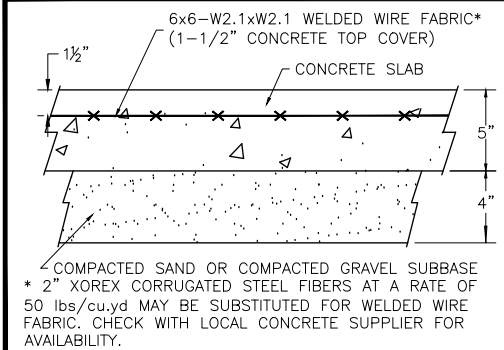
DATE
03/06/2017

SCALE

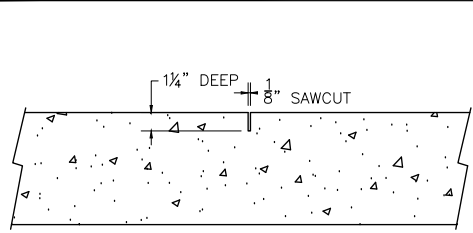
JOB NO.
GS-0415ADC-A

DWG NO.
SP.1

① CONCRETE SLAB SECTION



② CONTROL JOINT DETAIL



CONCRETE FOUNDATION SPECIFICATIONS SCOPE:

Foundation construction is not part of GT Grandstands, Inc. scope of work unless noted otherwise in the contract documents. The owner shall review the foundation design with the local code authorities, and coordinate with GTG.

FOUNDATION DESIGN & ANCHORS:

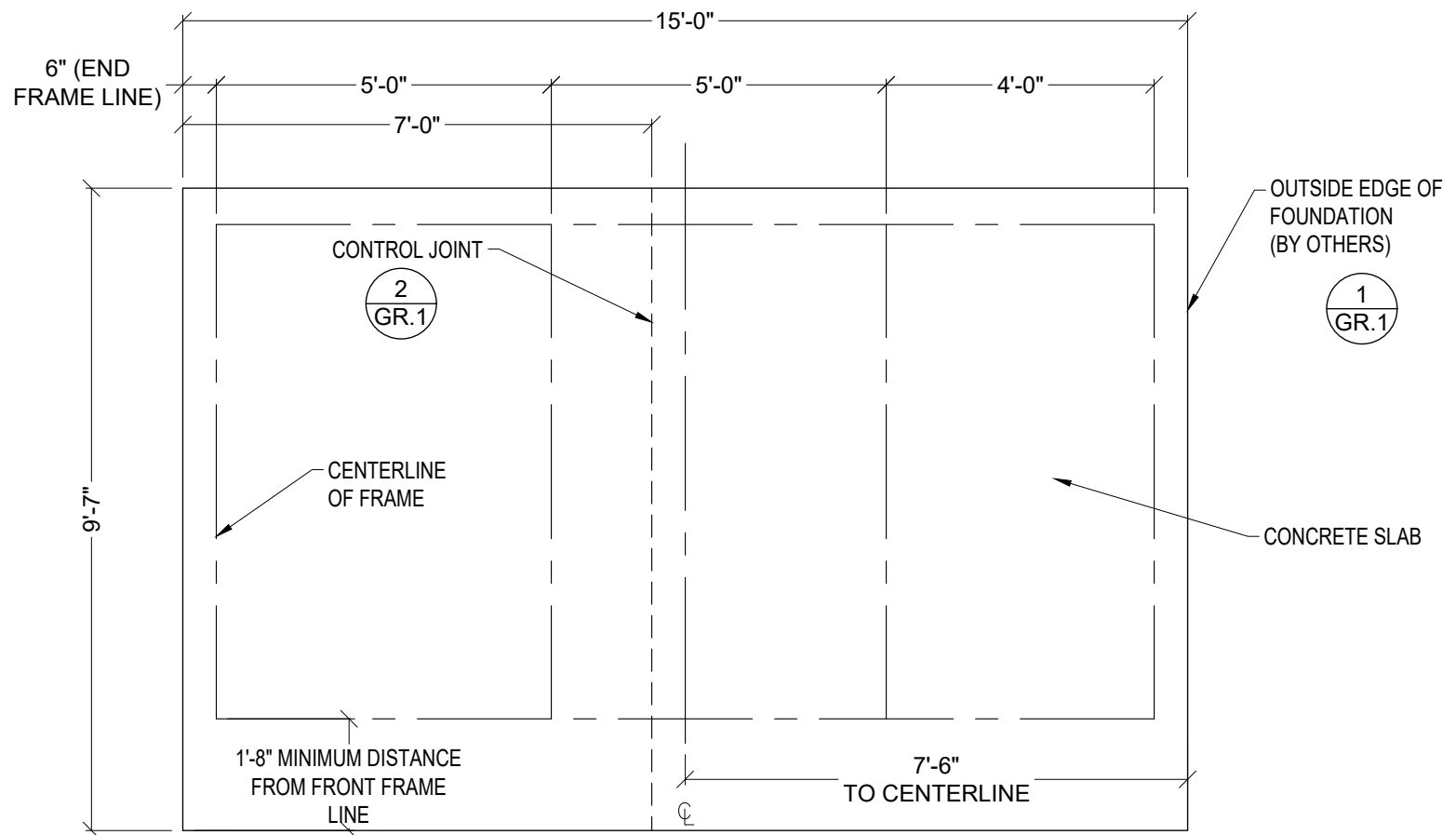
- 1) The foundation designs are based on the following:
 - a. Minimum presumed soil bearing 1000 psf.
 - b. Bleacher frame dead and live load 700 lbs./ft.
 - c. Bleacher frame wind uplift load 250 lbs./ft.
- 2) Unless otherwise noted on the drawings the bleacher frames shall be attached to the concrete with 3/8" dia. x 3" wedge type expansion anchors. The anchors shall be embedded a minimum of 2" into the concrete.

CONCRETE SPECIFICATIONS:

- 1) All concrete construction shall be in accordance with *ACI 318-08*.
- 2) All concrete shall have a minimum 28-day strength of $F_c=3000$ psi.
- 3) A 1/4" bituminous expansion joint material shall be placed between strip and slab foundations when adjacent to each other.
- 4) The depressions in the top of the foundations between high spots shall not exceed 5/16" below a 10-foot long straightedge. The 10-foot straightedge method used to measure foundation flatness shall be in accordance with Section of ACI 302.1R-04 "*Guide for Concrete Floor and Slab Construction*".

CONCRETE SLAB SPECIFICATIONS:

- 1) Concrete slab shall have a minimum thickness of 4" (GT Grandstands Inc. recommends, and some areas may require 6" thickness) and placed on 4" of compacted gravel or compacted sand sub-base.
- 2) GT Grandstands, Inc. recommends that the concrete slab be reinforced with 6x6-W2.1xW2.1 welded wire fabric at 1 1/2" concrete cover from the top. In lieu of welded wire fabric, 2" XOREX by Ribbon Technology Corporation or equal corrugated steel fibers applied at a rate of 50-lbs./Cubic Yard may be used. Nylon or polypropylene fiber are not recommended.
- 3) Crack control joints shall be sawed into slab to form approximate square patterns. The maximum spacing for control joints shall not exceed 12'-6", unless shown otherwise on this drawing. The bleacher frames shall not be set on control joints. The designer shall contact NRS to coordinate joint spacing requirements with the specific bleacher design.
- 4) The slab may be sloped a maximum of 1/8 inch per foot for drainage. The maximum overall out of level slope for the slab perpendicular to the seats (front to rear) shall not exceed 2" and parallel to the seats (end to end) shall not exceed 4".

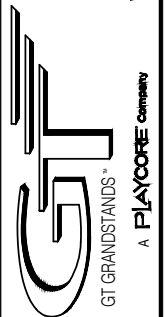


OPTIONAL FOUNDATION PLAN

SCALE: 3/8" = 1' - 0"



2810 Sydney Road
Plant City, Florida 33566
Phone: 813-305-1415
Fax: 813-305-1419
www.gtgrandstands.com



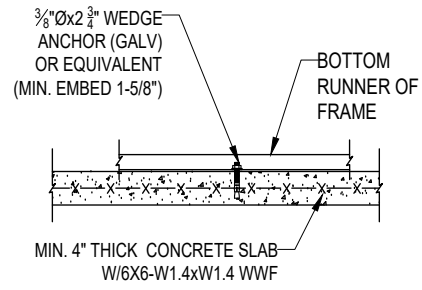
FOUNDATION PLAN
4 ROW BLEACHER
WITH AISLE

GS-0415ADC-A
OPTIONAL FOUNDATION

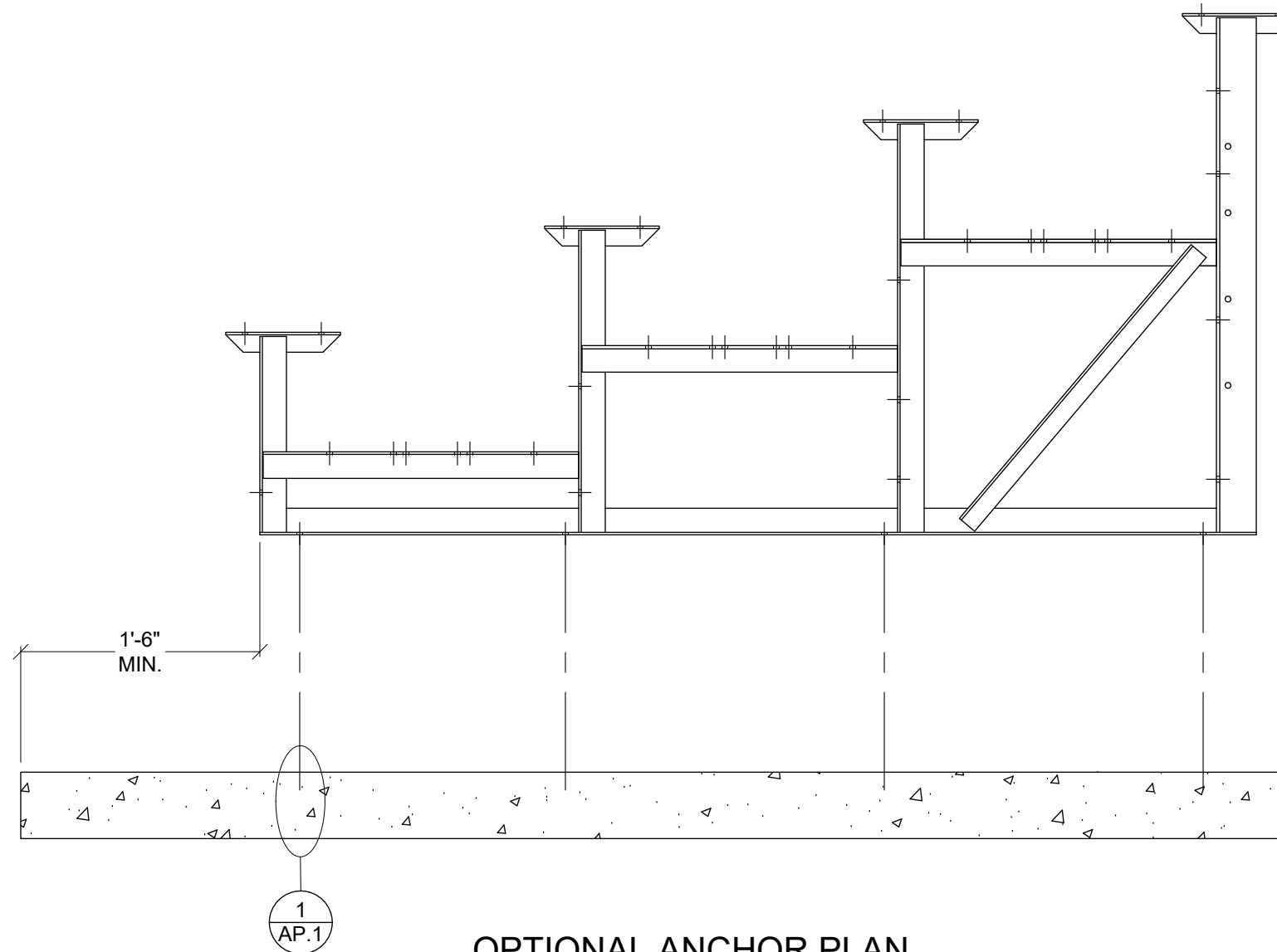
DRAWN BY	MME
CHECKED BY	
DATE	03/06/2017
SCALE	
JOB NO.	GS-0415ADC-A
DWG NO.	FP.1

L:\1Standard Models\GS-04xxADC-A\GS-0415ADC-A-rev1.dwg, 4/11/2017 1:10:08 PM, GOB

① OPTIONAL ANCHOR WEDGE DETAIL*



NOT TO SCALE



OPTIONAL ANCHOR PLAN

SCALE: 1/2" = 1' - 0"



2810 Sydney Road
Plant City, Florida 33566
Phone: 813-305-1415
Fax: 813-305-1419
www.gtgrandstands.com

GT
GT GRANDSTANDS™
A PLAYCORE Company

ANCHORING PLAN
4 ROW BLEACHER
WITH AISLE

GS-0415ADC-A
OPTIONAL FOUNDATION

DRAWN BY
MME
CHECKED BY

DATE
02/15/17
SCALE

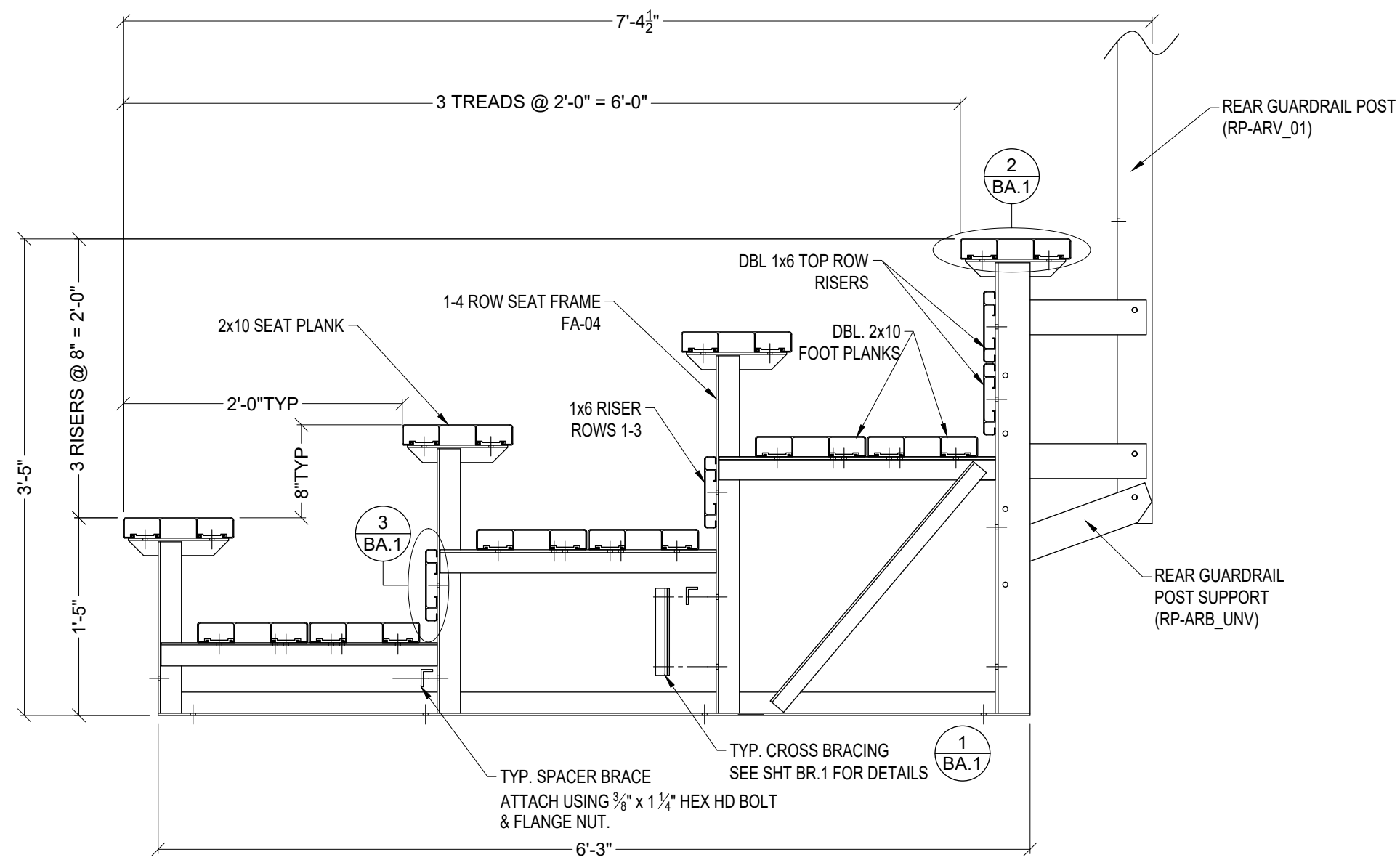
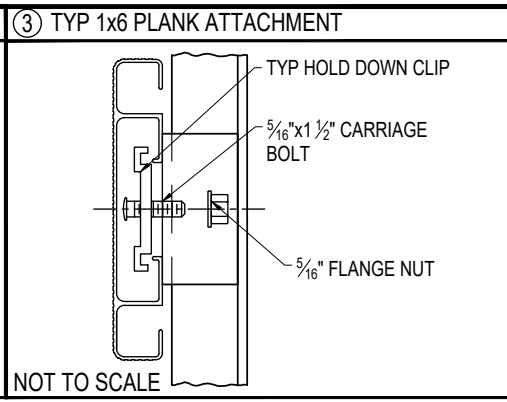
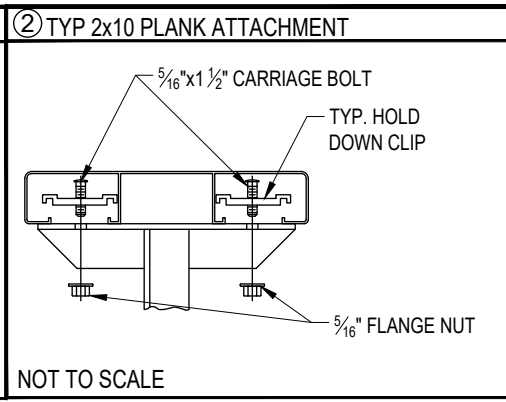
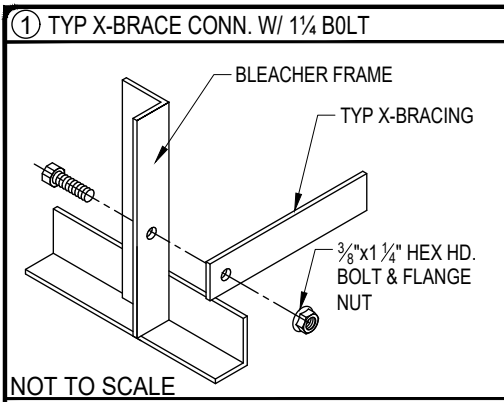
JOB NO.

GS-0415ADC-A

DWG NO.

AP.1

L:\1Standard Models\GS-04xxADC-A\GS-0415ADC-A-rev1.dwg, 4/11/2017 1:10:13 PM, GOB



BLEACHER ASSEMBLY
SCALE: 1" = 1' - 0"

REFER TO PAGE BR.1 FOR BRACING LOCATION AND SIZE



2810 Sydney Road
Plant City, Florida 33566
Phone: 813-305-1415
Fax: 813-305-1419
www.gtgrandstands.com



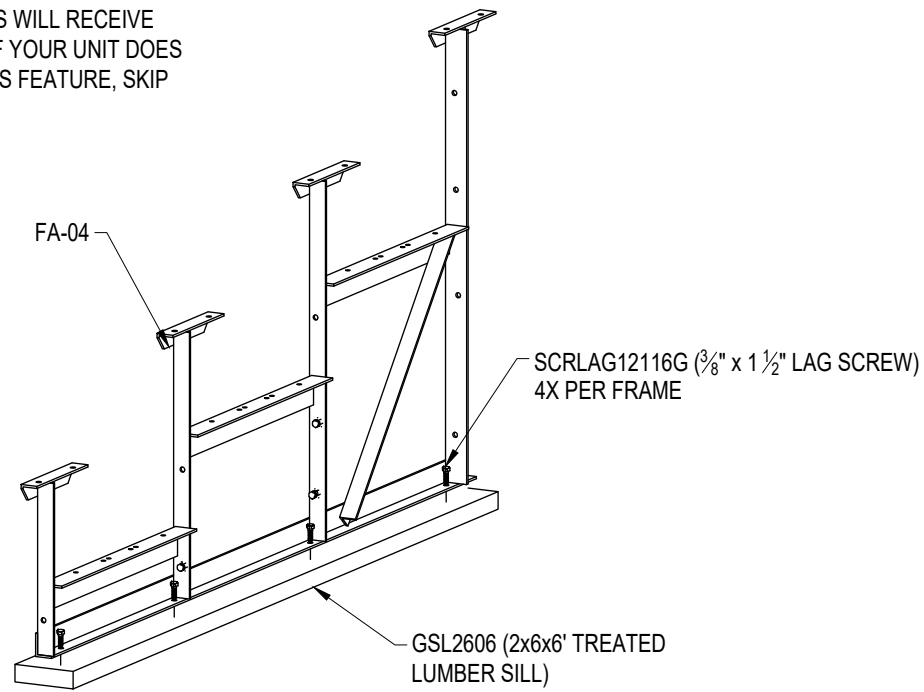
BLEACHER ASSEMBLY
4 ROW BLEACHER
WITH AISLE

GS-0415ADC-A

DRAWN BY MME
CHECKED BY
DATE 02/15/17
SCALE
JOB NO. GS-0415ADC-A
DWG NO.

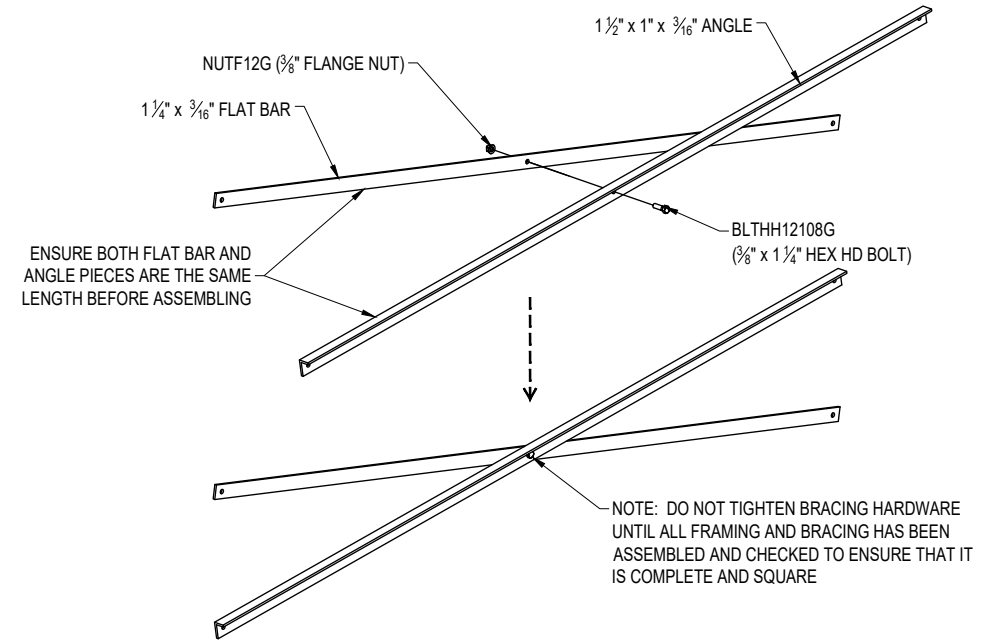
BA.1

*NOT ALL BLEACHERS WILL RECEIVE GROUND SILLS. IF YOUR UNIT DOES NOT INCLUDE THIS FEATURE, SKIP THIS STEP.



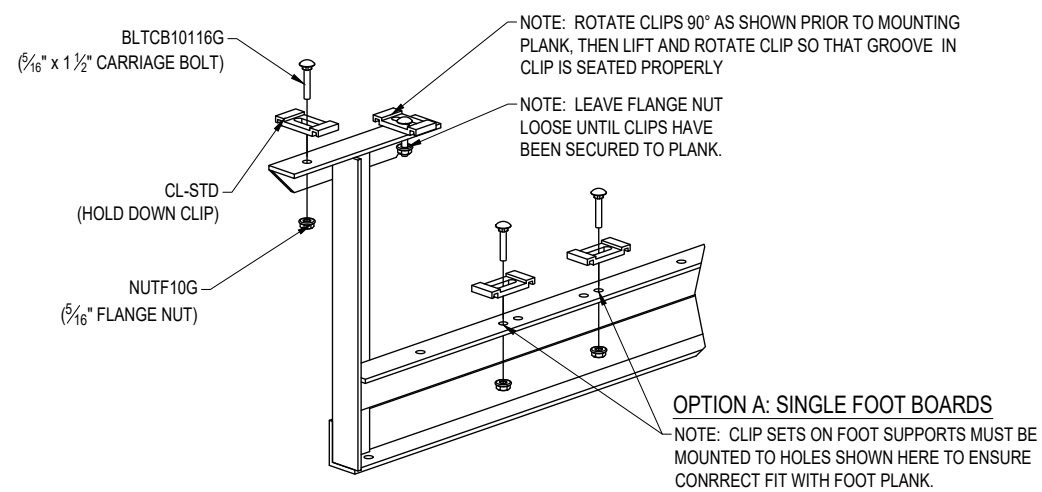
OPTIONAL MUD SILLS

SCALE: 3/4" = 1' - 0"

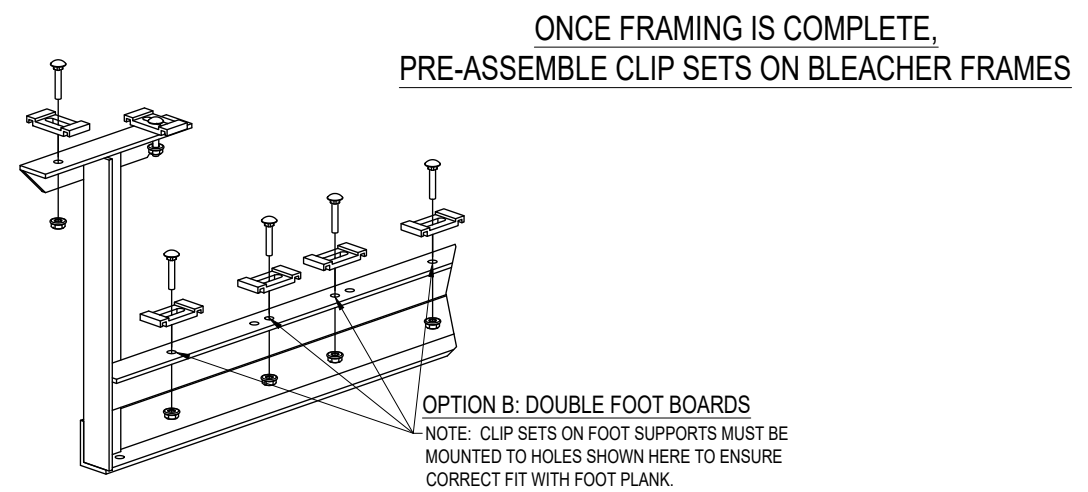


PRE-ASSEMBLED X-BRACE (PAIR)

SCALE: 3/4" = 1' - 0"



OPTION A: SINGLE FOOT BOARDS
NOTE: CLIP SETS ON FOOT SUPPORTS MUST BE MOUNTED TO HOLES SHOWN HERE TO ENSURE CORRECT FIT WITH FOOT PLANK.



OPTION B: DOUBLE FOOT BOARDS
NOTE: CLIP SETS ON FOOT SUPPORTS MUST BE MOUNTED TO HOLES SHOWN HERE TO ENSURE CORRECT FIT WITH FOOT PLANK.

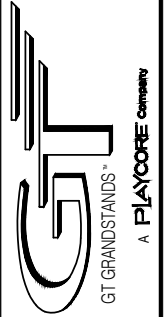
PRE-ASSEMBLED CLIP SETS

SCALE: 3/4" = 1' - 0"

ONCE FRAMING IS COMPLETE, PRE-ASSEMBLE CLIP SETS ON BLEACHER FRAMES



2810 Sydney Road
Plant City, Florida 33566
Phone: 813-305-1415
Fax: 813-305-1419
www.gtgrandstands.com



**BLEACHER ASSEMBLY
4 ROW BLEACHER
WITH AISLE**

**GS-0415ADC-A
OPTIONAL MUD SILL**

DRAWN BY
MME
CHECKED BY

DATE
02/15/17
SCALE

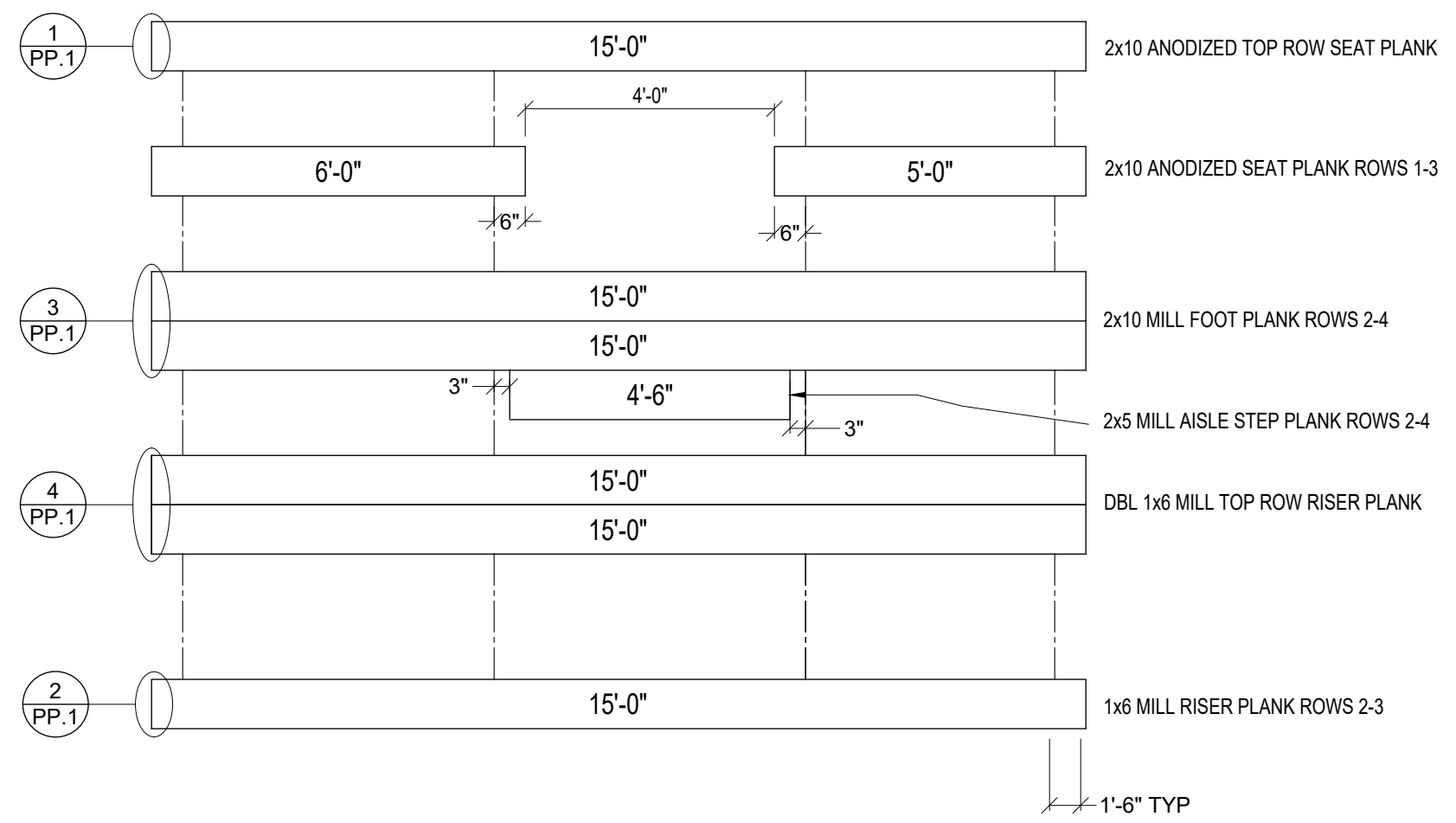
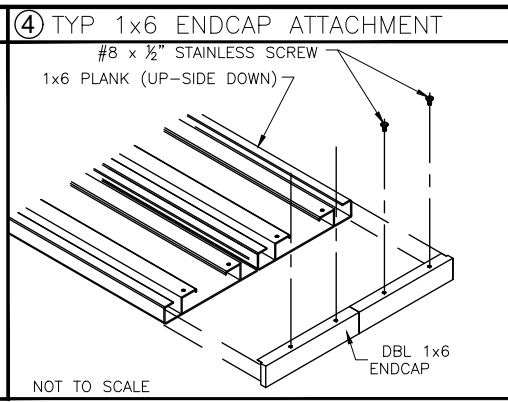
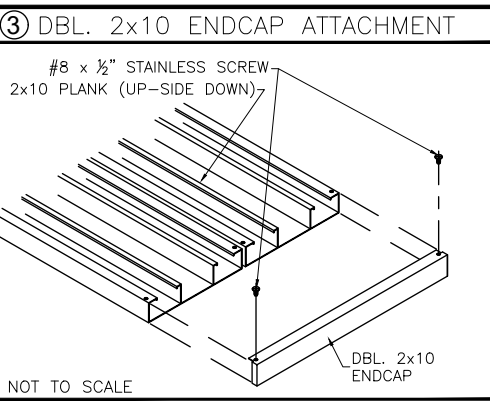
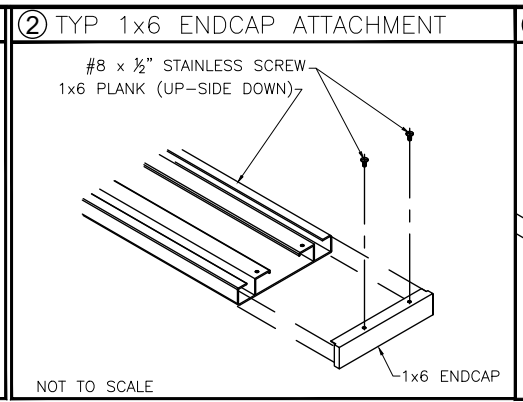
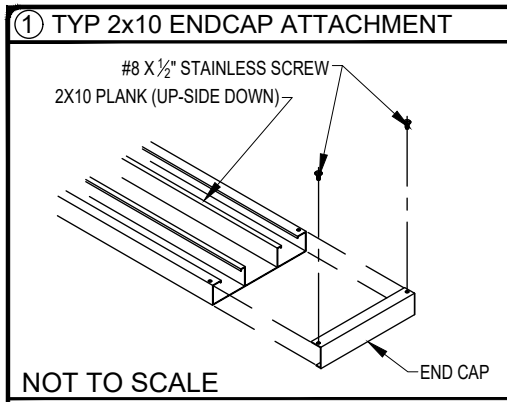
JOB NO.

GS-0415ADC-A

DWG NO.

BA.2

L:\1Standard Models\GS-04xxADC-A\GS-0415ADC-A-rev1.dwg, 4/11/2017 1:10:23 PM, GOB



PLANKING PLAN
SCALE: 1/2" = 1' - 0"



2810 Sydney Road
Plant City, Florida 33566
Phone: 813-305-1415
Fax: 813-305-1419
www.gtgrandstands.com

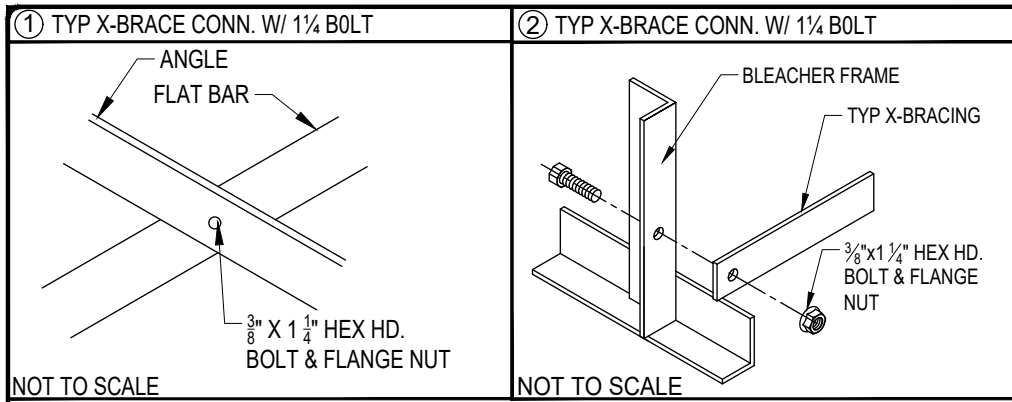


PLANKING PLAN
4 ROW BLEACHER
WITH AISLE

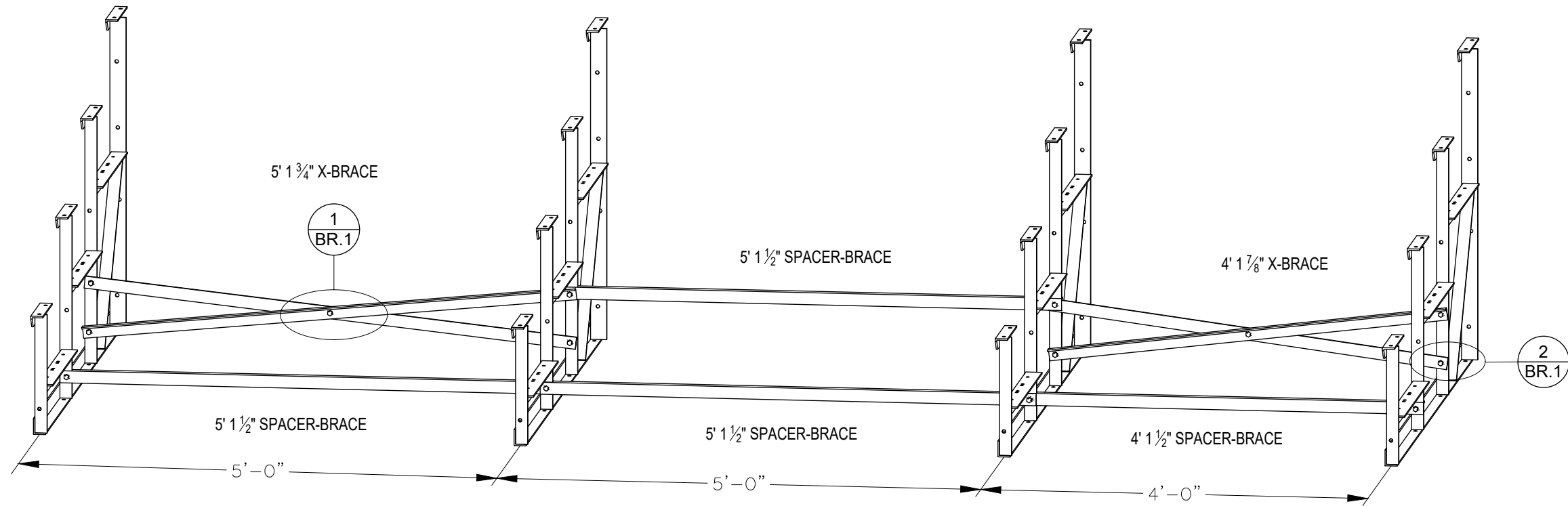
GS-0415ADC-A

DRAWN BY MME
CHECKED BY
DATE 02/15/17
SCALE
JOB NO. GS-0415ADC-A
DWG NO. PP.1

L:\1Standard Models\GS-04xxADC-A\GS-0415ADC-A-rev1.dwg, 4/11/2017 1:10:28 PM, GOB



PRE-ASSEMBLE X-BRACE SETS. EACH SET CONSIST OF ONE FLAT BAR AND ONE ANGLE. ONCE ASSEMBLED, THEY WILL BECOME AN "X". THEY BOLT TOGETHER WITH A $\frac{3}{8}$ " X $1\frac{1}{4}$ " HEX HEAD BOLT AND FLANGE NUT THRU THE CENTER HOLE. (SEE DETAIL 7 ON DETAIL SHEET).



BRACING LOCATION
SCALE: 3/4" = 1' - 0"

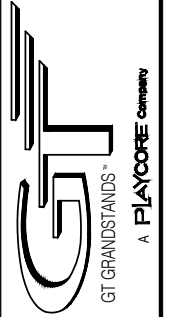
***NOTES

REFER TO PAGE DS.1 FOR DEPICTED DETAILS

DETAIL IS TO DEPICT CROSS BRACING ATTACHMENT ONLY. FRAME DESIGN MAY VARY.



2810 Sydney Road
Plant City, Florida 33566
Phone: 813-305-1415
Fax: 813-305-1419
www.gtgrandstands.com



BRACING LOCATION PLAN
4 ROW BLEACHER
WITH AISLE

GS-0415ADC-A

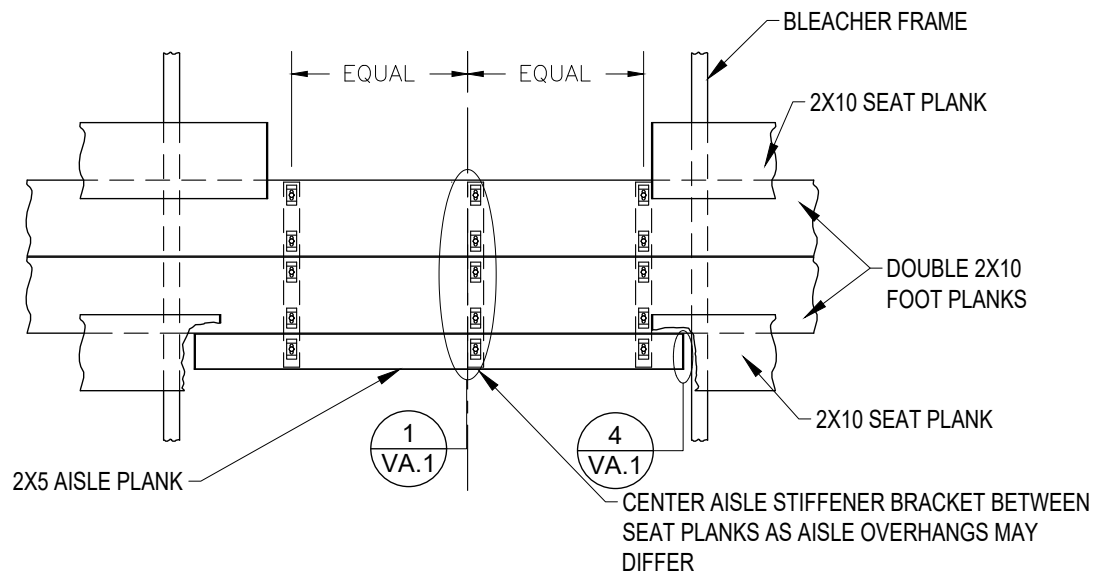
DRAWN BY
MME

CHECKED BY
DATE
02/15/17
SCALE

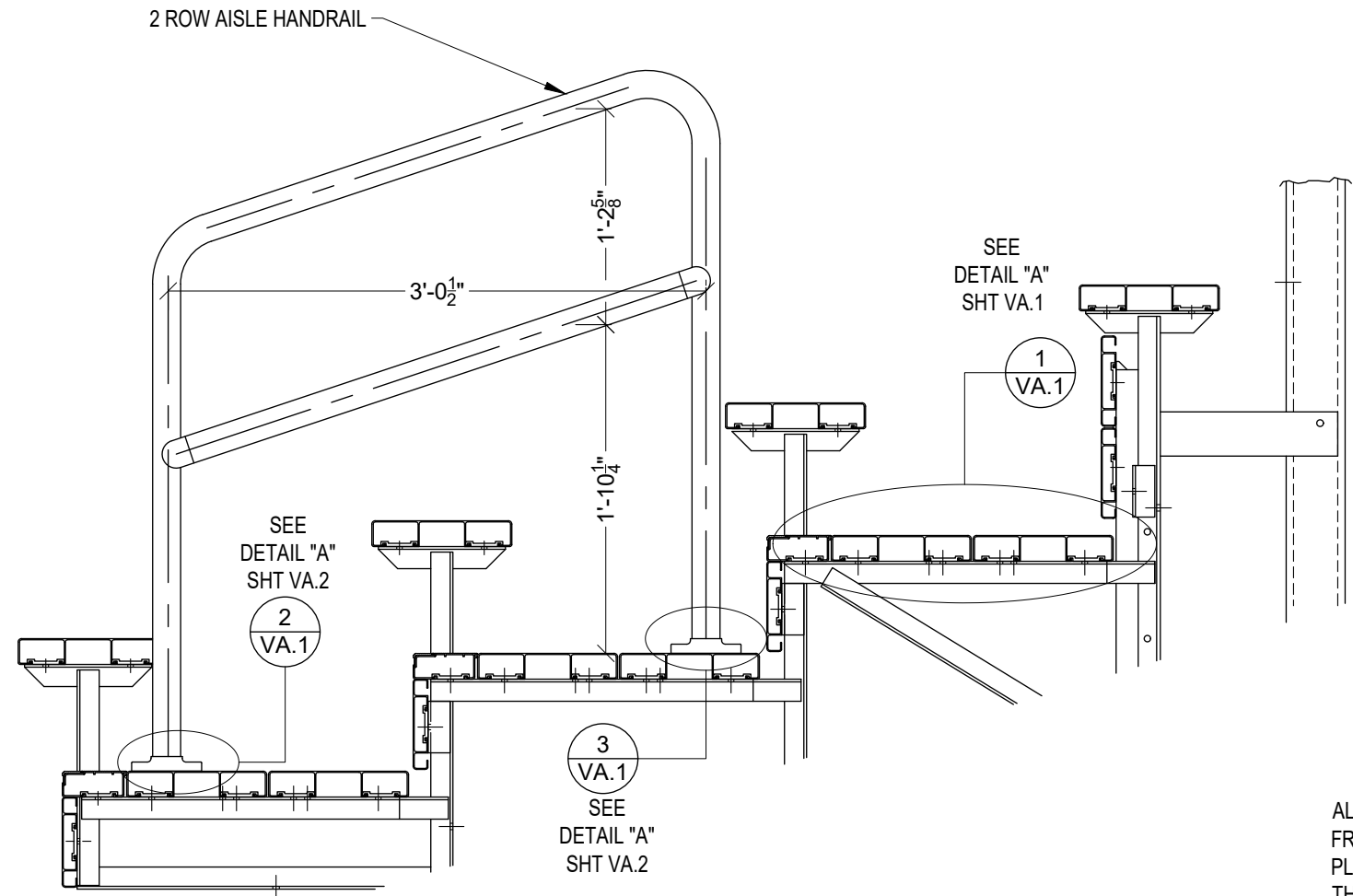
JOB NO.
GS-0415ADC-A

DWG NO.

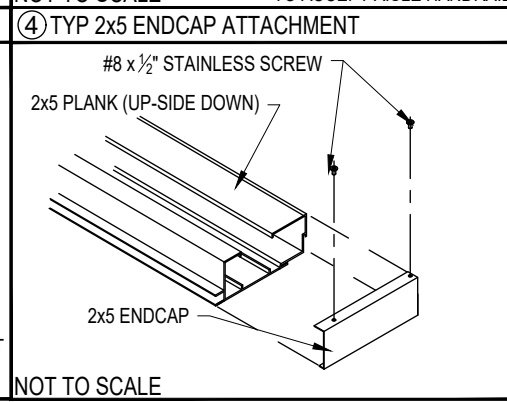
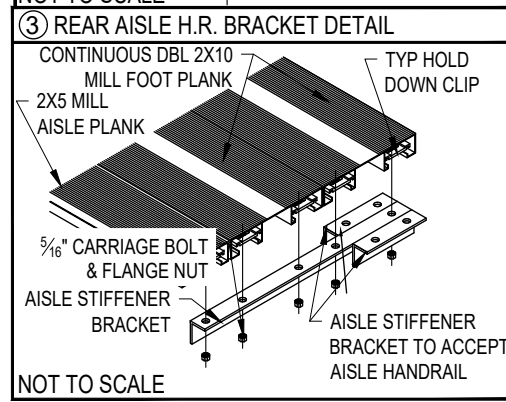
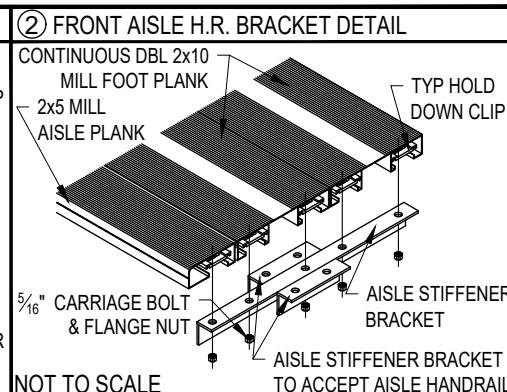
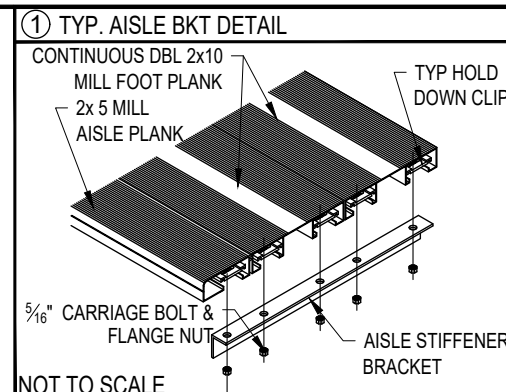
BR.1



DETAIL A
SCALE: 1/2" = 1' - 0"



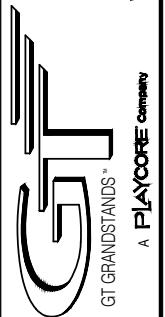
VERTICAL AISLE ASSEMBLY
SCALE: 1" = 1' - 0"



ALIGN EDGE OF FLANGE APPROX. 1/2" FROM THE LEADING EDGE OF THE FRONTMOST CONTINUOUS 2x10 FOOT PLANK (NOT THE 2x5 AISLE STEP PLANK). SLIGHTLY ADJUST FLANGE LOCATION, IF NECESSARY, SO THAT THE BOLT HOLE IS NOT DRILLED INTO A VERTICAL LEG OF THE PLANK. DRILL Ø7/16" HOLES (FOR 3/8" BOLT). ASSEMBLE AS SHOWN USING GALV. STEEL BOLTS, FLAT WASHERS, AND FLANGE NUTS.



2810 Sydney Road
Plant City, Florida 33566
Phone: 813-305-1415
Fax: 813-305-1419
www.gtgrandstands.com



VERTICAL AISLE ASSEMBLY
4 ROW BLEACHER
WITH AISLE

GS-0415ADC-A

DRAWN BY
MME
CHECKED BY
DATE
02/15/17
SCALE
JOB NO.
GS-0415ADC-A
DWG NO.

VA.1

L:\1Standard Models\GS-04xxADC-A\GS-0415ADC-A-rev1.dwg, 4/11/2017 1:10:38 PM, GOB



2810 Sydney Road
Plant City, Florida 33566
Phone: 813-305-1415
Fax: 813-305-1419
www.gtgrandstands.com



HANDRAIL ASSEMBLY
4 ROW BLEACHER
WITH AISLE

GS-0415ADC-A

DRAWN BY
MME

CHECKED BY

DATE
02/15/17

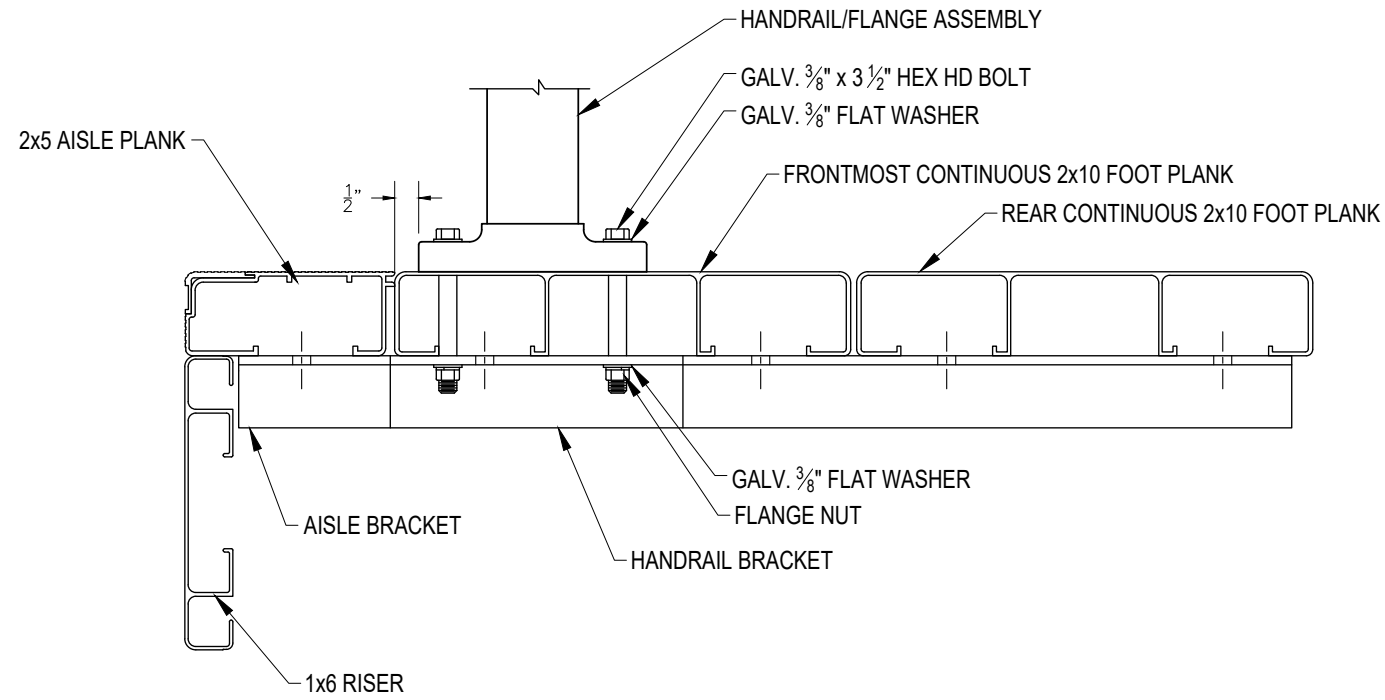
SCALE

JOB NO.
GS-0415ADC-A

DWG NO.
VA.2

DETAIL A

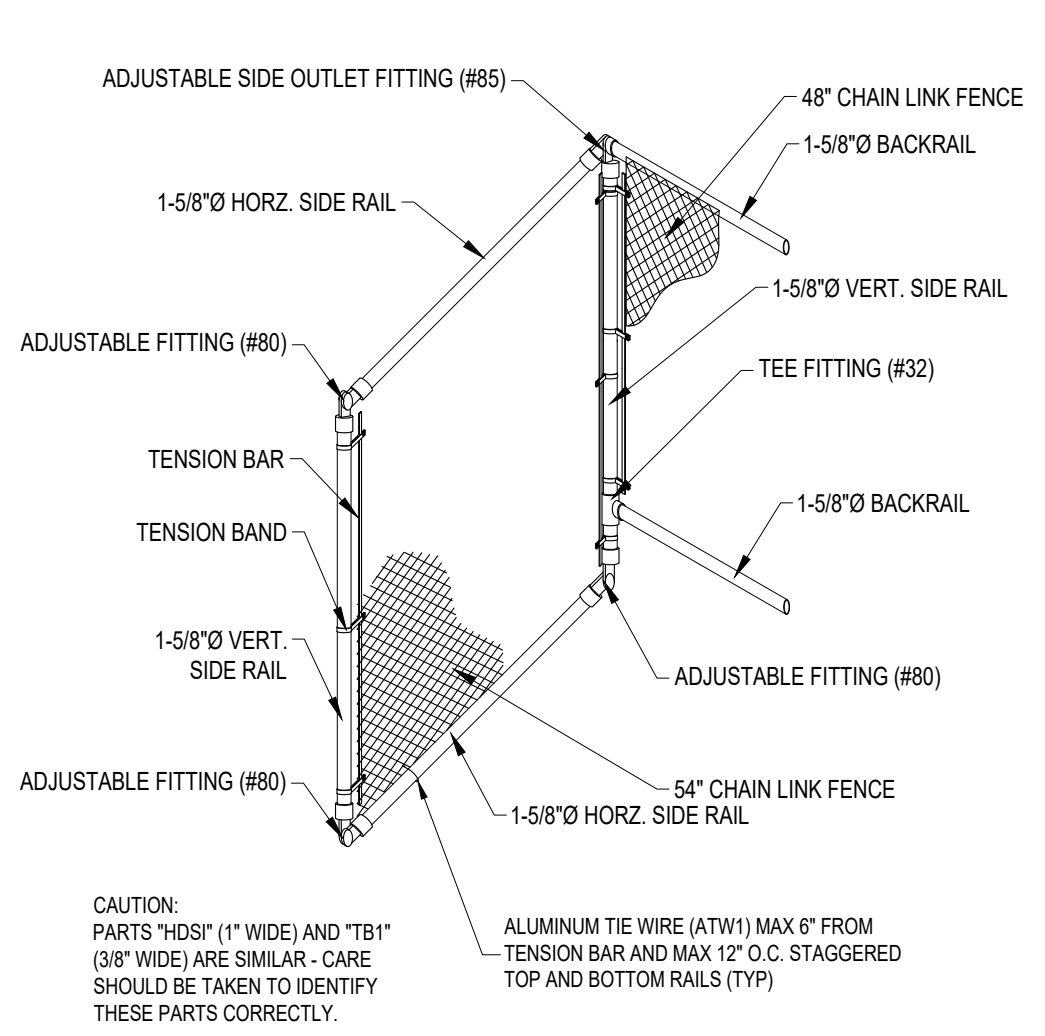
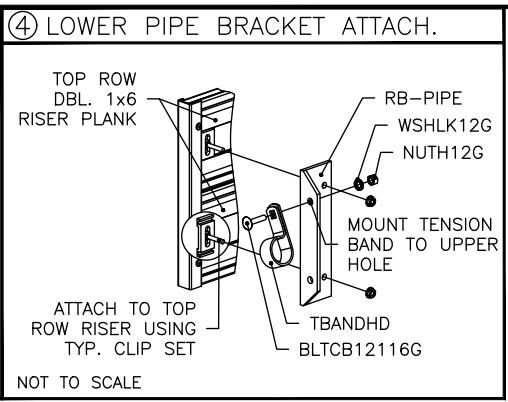
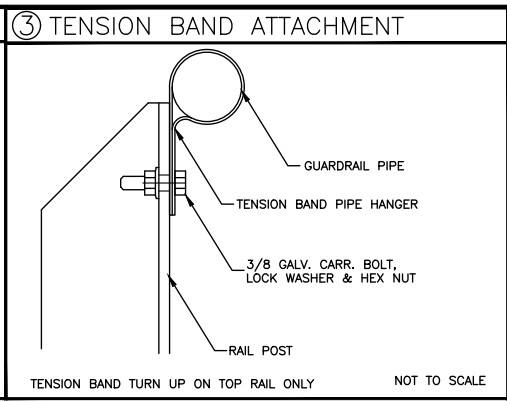
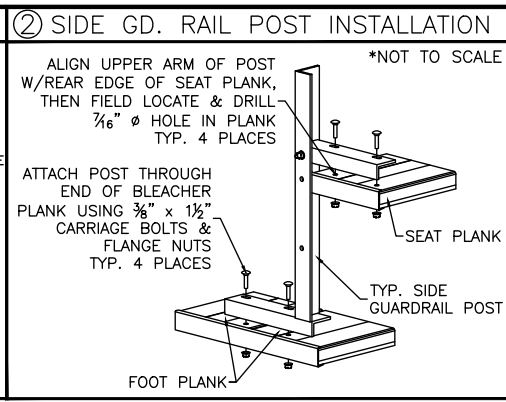
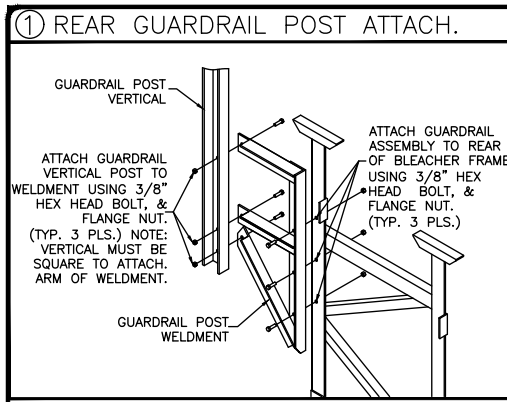
FRONT HANDRAIL ASSEMBLY SHOWN
LOCATE OVER REAR FOOT PLANK FOR REAR ASSEMBLY



HANDRAIL ASSEMBLY

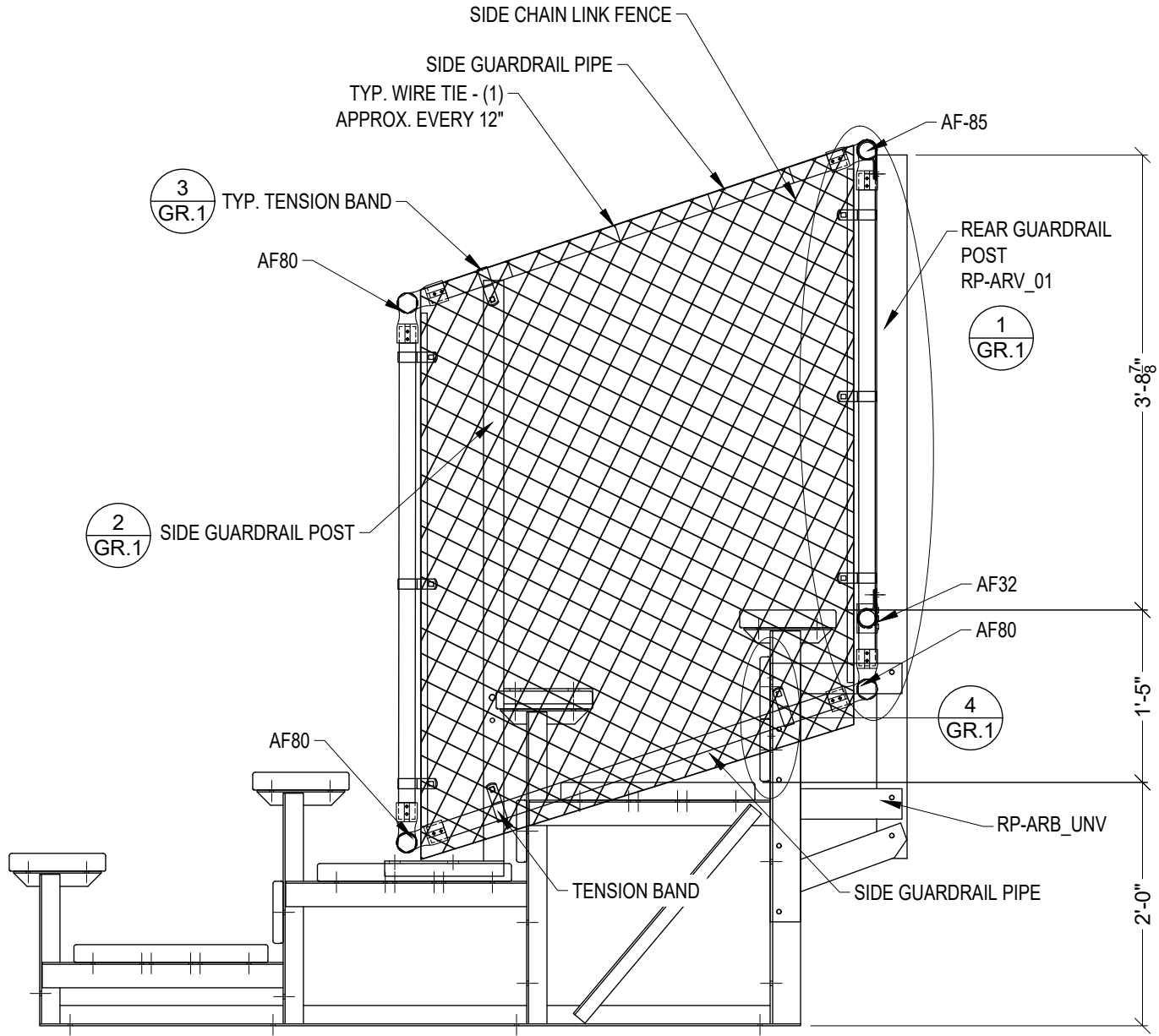
SCALE: 3" = 1' - 0"

L:\1Standard Models\GS-04xxADC-A\GS-0415ADC-A-rev1.dwg, 4/11/2017 1:10:43 PM, GOB



CONNECTION DETAIL OF BACK RAIL TO SIDE RAIL

DETAIL "A"
SCALE: 1/2" = 1' - 0"



GUARDRAIL ELEVATION
SCALE: 3/4" = 1' - 0"



2810 Sydney Road
Plant City, Florida 33566
Phone: 813-305-1415
Fax: 813-305-1419
www.gtgrandstands.com



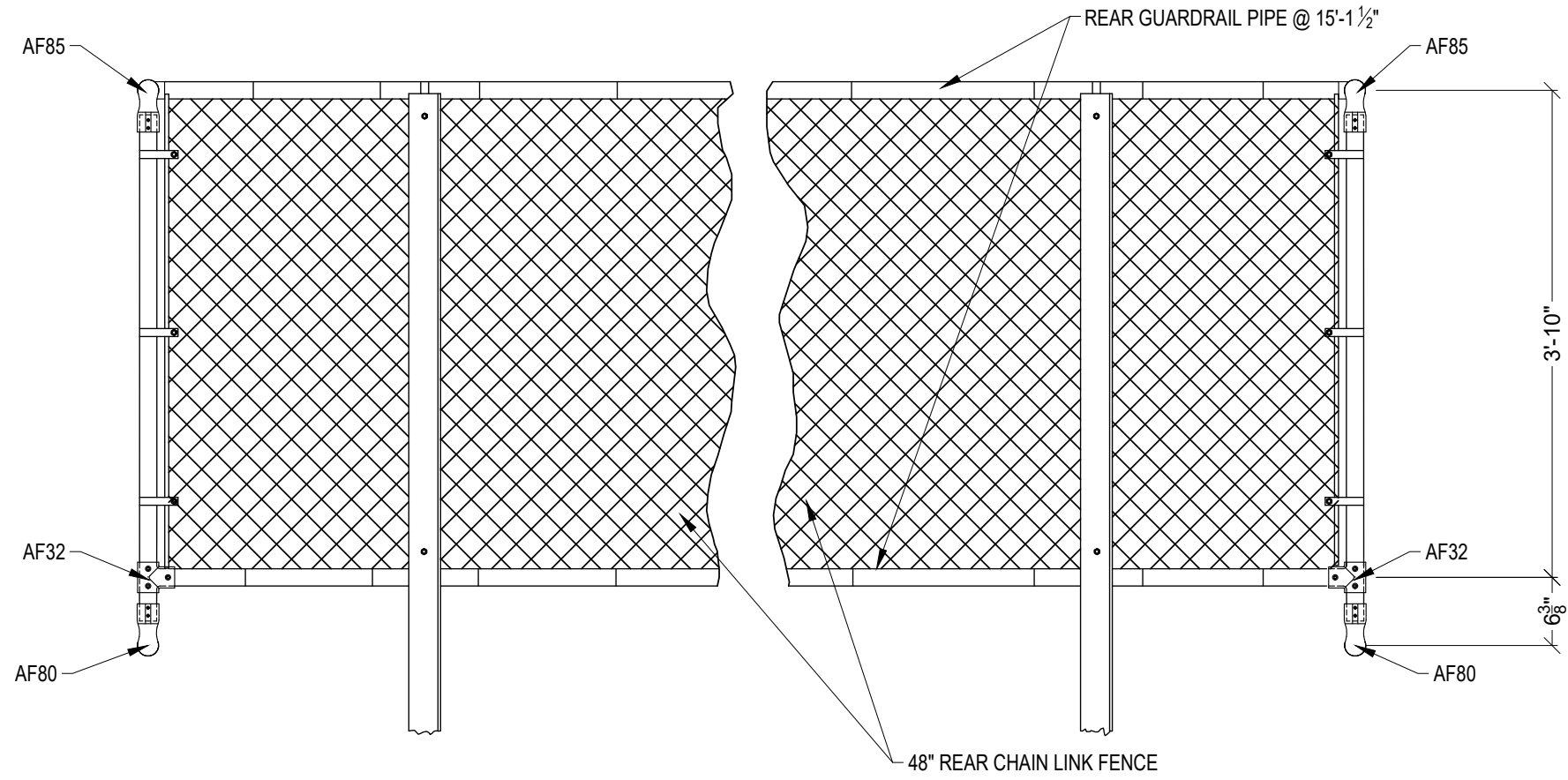
GUARDRAIL ASSEMBLY
4 ROW BLEACHER
WITH AISLE

GS-0415ADC-A

DRAWN BY
MME
CHECKED BY
DATE
02/15/17
SCALE
JOB NO.
GS-0415ADC-A
DWG NO.

GR.1

L:\1Standard Models\GS-04xxADC-A\GS-0415ADC-A-rev1.dwg, 4/11/2017 1:10:48 PM, GOB



REAR GUARDRAIL
SCALE: 3/4" = 1' - 0"



2810 Sydney Road
Plant City, Florida 33566
Phone: 813-305-1415
Fax: 813-305-1419
www.gtgrandstands.com



**GUARDRAIL ASSEMBLY
4 ROW BLEACHER
WITH AISLE**

GS-0415ADC-A

DRAWN BY
MME

CHECKED BY
DATE
02/15/17

SCALE

JOB NO.
GS-0415ADC-A

DWG NO.

GR.2